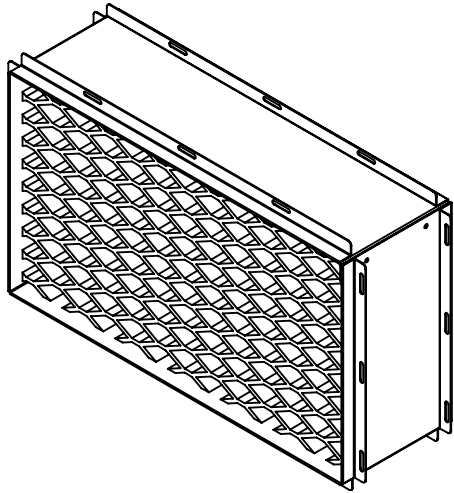




A CSW Industrials Company

SUBMITTAL

**TRUAIRE®**  
TRANSFER AIR DUCT KIT  
New Construction



- Standard Features:**
- One-piece design mounts to wall framing, recommended to have two sides mounted into framing, use blocking if necessary
  - Hemmed edges allow for drywall to fit flush against the duct
  - Precut holes allow for easy mounting of duct piece to framing
  - Corrugate insert dampens light and sound from passing through
  - Fits 3 1/2" wall framing with 1/2" or 5/8" drywall

Additional Information

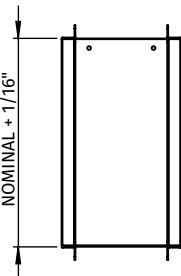
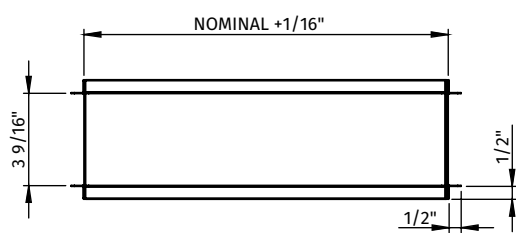
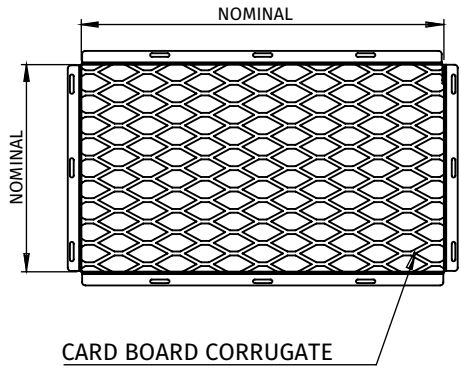
Project/Location: \_\_\_\_\_

Engineer: \_\_\_\_\_

Architect: \_\_\_\_\_

Contractor: \_\_\_\_\_

Submittal Notes: \_\_\_\_\_



Manufactured by

**RectorSeal, LLC**

2601 Spenwick Drive • Houston, TX 77055, USA • 800-231-3345 • Fax 800-441-0051 • [rectorseal.com](http://rectorseal.com)

A CSW Industrials Company. RectorSeal, the logos and other trademarks are property of RectorSeal, LLC, its affiliates or its licensors and are protected by copyright, trademark and other intellectual property laws, and may not be used without permission. RectorSeal reserves the right to change specifications without prior notice. ©2025 RectorSeal. All rights reserved. R51341-2601