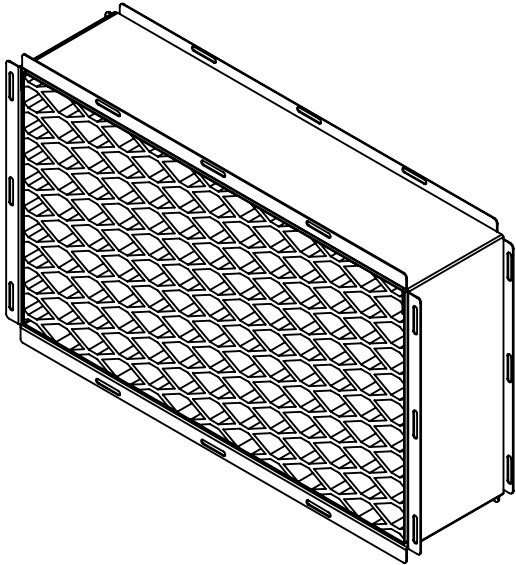




A CSW Industrials Company

SUBMITTAL

TRUAIRE® TRANSFER AIR DUCT KIT Retrofit



Standard Features:

- Two-piece sleeve design allows for installation after drywall is installed. Recommended to have at least one edge mounted into wall stud.
- Precut holes allow for easy mounting of duct pieces using drywall screws (not provided)
- Corrugate insert dampens light and sound from passing through
- Fits 3 1/2" wall framing with 1/2" or 5/8" drywall

Additional Information

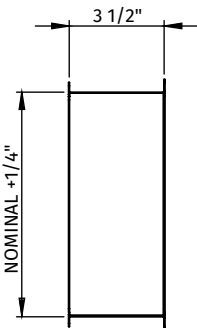
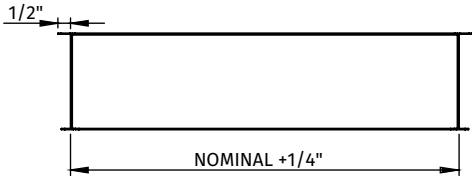
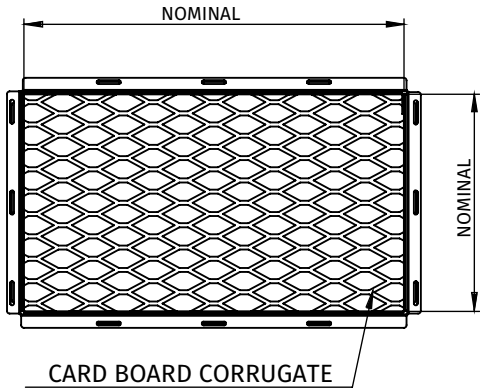
Project/Location: _____

Engineer: _____

Architect: _____

Contractor: _____

Submittal Notes: _____



Manufactured by

RectorSeal, LLC

2601 Spenwick Drive • Houston, TX 77055, USA • 800-231-3345 • Fax 800-441-0051 • rectorseal.com

A CSW Industrials Company. RectorSeal, the logos and other trademarks are property of RectorSeal, LLC, its affiliates or its licensors and are protected by copyright, trademark and other intellectual property laws, and may not be used without permission. RectorSeal reserves the right to change specifications without prior notice. ©2025 RectorSeal. All rights reserved. R51341-2601