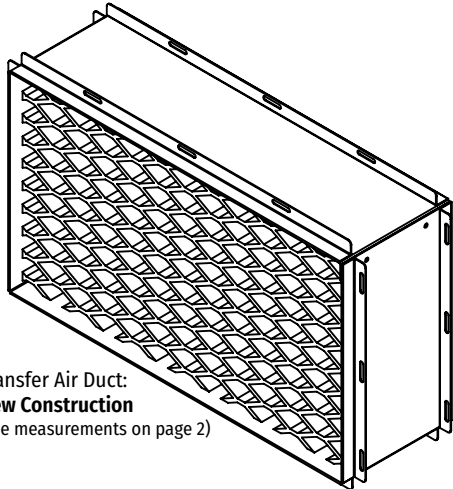




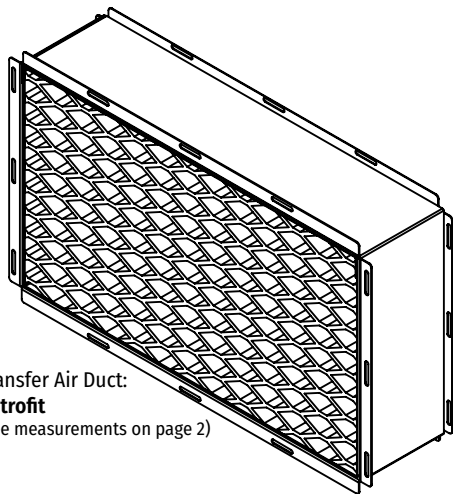
A CSW Industrials Company

SUBMITTAL

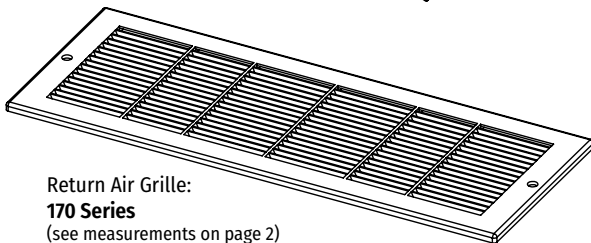
TRUAIRE®
TRANSFER AIR DUCT KIT
New Construction & Retrofit



Transfer Air Duct:
New Construction
(see measurements on page 2)



Transfer Air Duct:
Retrofit
(see measurements on page 2)



Return Air Grille:
170 Series
(see measurements on page 2)

New Construction:
Includes duct piece with corrugate insert and two **170 return air grilles***.

Duct and Corrugate Features:

- One-piece design mounts to wall framing, recommended to have two sides mounted into framing, use blocking if necessary.
- Hemmed edges allow for drywall to fit flush against the duct.
- Precut holes allow for easy mounting of duct pieces to framing.
- Corrugate insert dampens light and sound from passing through.
- Fits 3 1/2" wall framing with 1/2" or 5/8" drywall.

Retrofit:

Includes duct piece with corrugate insert and two **170 return air grilles***.

Duct and Corrugate Features:

- Two-piece sleeve design allows for installation after drywall is installed. Recommended to have at least one edge mounted into wall stud.
- Precut holes allow for easy mounting of duct pieces using drywall screws (not provided).
- Corrugate insert dampens light and sound from passing through.
- Fits 3 1/2" wall framing with 1/2" or 5/8" drywall.

***170 Return Air Grille Features**

- Stamped Steel Construction.
- 1/2" Louver Spacing.
- Countersunk screw holes with #8 X 2" screws included.
- Pristine White Powder coat Finish.

NAMING CHART: TTDK-N-170-14X6-SW

Series ▶	TTDK	N	170	14X6	SW
		▲	▲	▲	▲
	Model:	Return	Size	Color	
	(N) New Construction (R) Retrofit	Air	(W x H)		
		Series			

Additional Information

Project/Location: _____

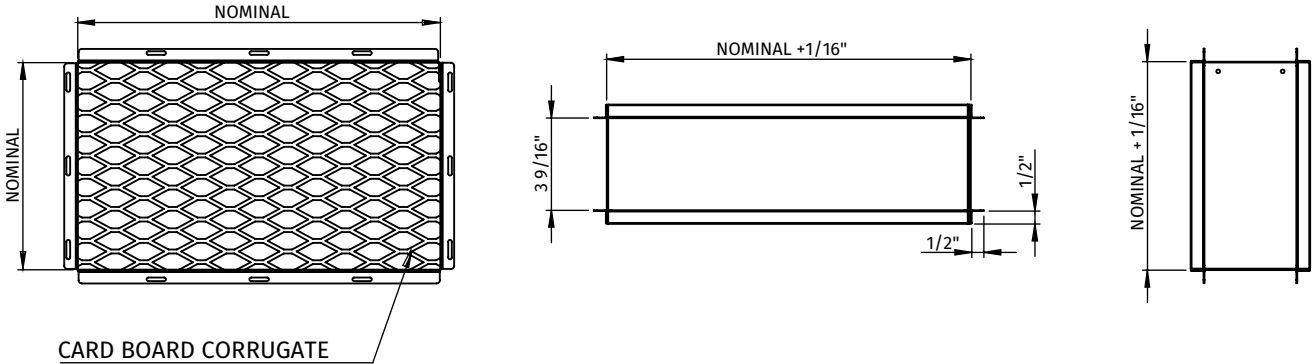
Engineer: _____

Architect: _____

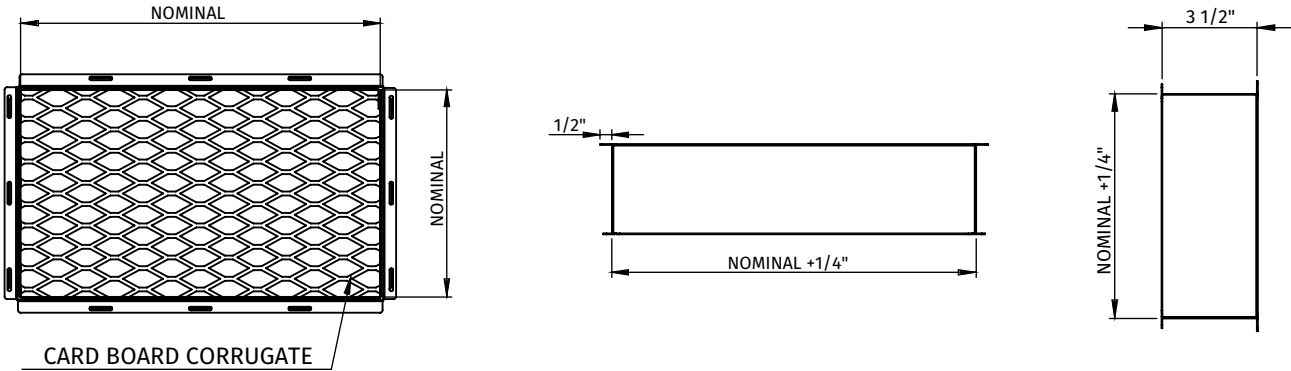
Contractor: _____

Submittal Notes: _____

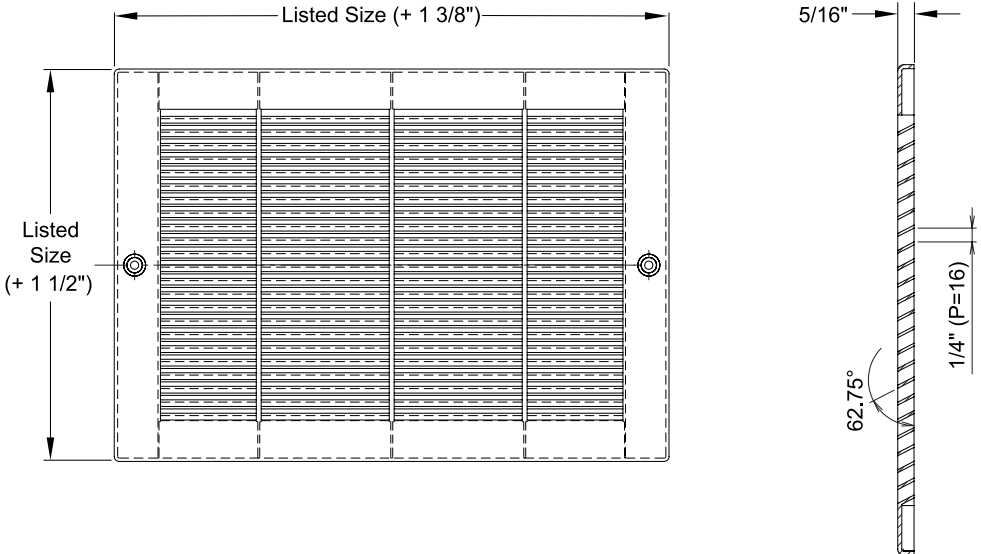
Transfer Air Duct: **New Construction**



Transfer Air Duct: **Retrofit**



Return Air Grille: **170 Series**



Manufactured by

RectorSeal, LLC

2601 Spenwick Drive • Houston, TX 77055, USA • 800-231-3345 • Fax 800-441-0051 • rectorseal.com

A CSW Industrials Company. RectorSeal, the logos and other trademarks are property of RectorSeal, LLC, its affiliates or its licensors and are protected by copyright, trademark and other intellectual property laws, and may not be used without permission. RectorSeal reserves the right to change specifications without prior notice. ©2025 RectorSeal. All rights reserved. R51341-2601