

Panel and Equipment Surge Protector



**VR-120
Single Phase
& 3-Phase**



VR-GEN

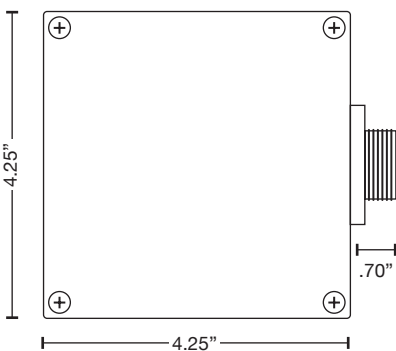
Features

- I_{max}: 120kA per phase
- I_n: 20kA
- Thermally protected MOV suppression, capacitive filtering and gas discharge tube
- LED indicator and audible alarm
- EMI/RFI noise filtration (-40db)
- Repositionable face cover allows for label orientation
- Meets UL 96A lightning protection master label
- NEMA 4X (IP65/IP66) indoor/outdoor rated enclosure
- Lifetime warranty
- Available with Series R or Generator label

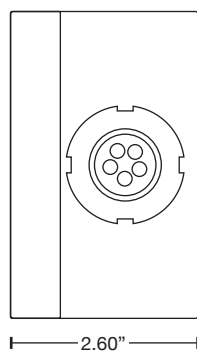


Additional Options

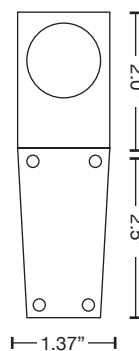
- Mounting bracket to allow installation inside of electrical panel – Item#s VR-C2-LB, VR-3PH-LB
- Flush mount cover – Item# VR-FMC



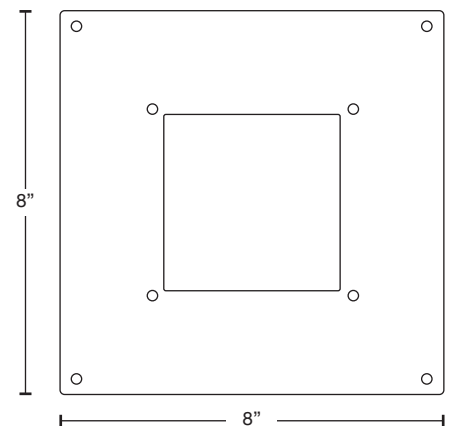
Front View



Side View



Mounting Bracket



Flush Mount Cover

Part Number Breakdown

VR(#)-120-4XM

- **Surge Rating: 120** =120kA/phase
- **Voltage Identifier:** 1=120/240 single phase, 2=120/208 3-phase Wye, 3=120/120/240 3-phase high-leg Delta, 4=277/480 3-phase Wye, 5=480 3-phase Delta, 6=347/600 3-phase Wye, 7=600 3-phase Delta, 8=220/380 3-phase Wye, 9=240 3-phase Delta

Description	VR-GEN	VR1	VR2	VR3	VR4	VR5	VR6	VR7	VR8	VR9	
System Voltage	VAC	120/240	120/240	120/208	120/120/240	277/480	480	347/600	600	220/380	240
System Wiring		3W+G (Single Phase)	3W+G (Single Phase)	4W+G (3-Phase Wye)	4W+G (3-Phase High-Leg Delta)	4W+G (3-Phase Wye)	3W+G (3-Phase Delta)	4W+G (3-Phase Wye)	3W+G (3-Phase Delta)	4W+G (3-Phase Wye)	3W+G (3-Phase Delta)
Maximum Operating Voltage (MCOV)	L-N	150	150	150	150/300	320	N/A	550	N/A	320	N/A
	N-G	150	150	150	150/300	320	N/A	550	N/A	320	N/A
	L-G	150	150	150	150	320	550	550	750	320	320
	L-L	300	300	300	300/300	520	550	750	750	550	640
Voltage Protection Rating (VPR)	L-N	700	700	700	700/1,200	1,200	N/A	1,800	N/A	1,200	N/A
	N-G	700	700	700	700/1,200	1,000	N/A	1,800	N/A	1,200	N/A
	L-G	700	700	700	700/1,200	1,200	1,800	1,800	1,800	1,000	1,200
	L-L	1,000	1,000	1,000	1,800/1,800	2,500	3,000	3,000	2,000	1,800	1,800
Operating Current (Ic)		<10 mA	<10 mA	<10 mA	<30 mA	<10 mA	<30 mA	<10 mA	<30 mA	<10 mA	<30 mA
Follow Current (If)		None									
Maximum Leakage Current (Ipe)		1 mA									
Frequency (f)		50/60/400 Hz									
Nominal Discharge Current Per Mode (In)		20kA									
Maximum Discharge Current (Imax)		120kA Per Phase									
Short Circuit Current Rating (SCCR)		200kA									
EMI/RFI Filtering		1283 Electromagnetic Interference Filter (-40 dB)									
Thermal Disconnecter		Internal to Each Component									
Overload Disconnecter		Internal to Each Device									
Operating Temperature		-40 to +85°C									
Housing-Enclosure Material		Cast Aluminum									
Mounting Type		Nipple/Wall Mounting, Bracket Mount (Not Included) or Flush Mount (Cover Not Included)									
Environmental Rating		NEMA 4X, IP65, IP66, Indoor/Outdoor									
Connection Type		Lead Length: 36" / #10 AWG									
Standards, Compliance or Recognition		UL 1449 5th Edition Type 1 Listed, UL Listed to US and Canadian Safety Standards									