

# ASPEN CATALOG



A CSW Industrials Company



**YEARS OF  
ASPEN**

DUAL RATED A2L TECHNOLOGY

EVAPORATOR COILS

AIR HANDLERS

FURNACES

MANUFACTURED HOME PRODUCTS

ASK FOR ASPEN

# UNIVERSAL A2L REFRIGERANT DETECTION SYSTEMS (RDS)



IDEAL FOR USE WITH BOTH CASED AND UNCASSED COILS, PLUS ALL AIR HANDLERS!

## Standard Mitigation Refrigerant Detection System (RDS) Kit

OPTION S



**Standard Mitigation Control Kit (S)** – turns on indoor blower to dissipate refrigerant concentration and cuts power to outdoor unit to stop new refrigerant from entering the space. Kit includes all components needed for RDS installation.

**INCLUDED WITH KIT:**

- ▶ (1) Installation Instructions
- ▶ (1) Wiring Diagram Schematic
- ▶ (1) Mitigation Control Assembly
- ▶ (1) Strain Relief Clip
- ▶ (2) Cable ties
- ▶ (2) #8 x ½ Drill Point Screws
- ▶ 3' Power & Low Voltage Connection
- ▶ Sensor Connections
  - (1) 8' Sensor Cable
  - (1) Sensor + Bracket
- ▶ Stickers & Labels

## Standard + Accessory Control Refrigerant Detection System (RDS) Kit

OPTION R

**Mitigation + Accessory Control Kit (R)** – includes the same functionality as standard option plus ability to energize/de-energize up to four inputs for accessories such as electric heat, gas furnace, air cleaners, and zoning systems.

**INCLUDED WITH KIT:**

- ▶ (1) Installation Instructions
- ▶ (1) Wiring Diagram Schematic
- ▶ (1) Mitigation Control Assembly
- ▶ (1) Additional Accessory Control Connection
- ▶ (1) Strain Relief Clip
- ▶ (2) Cable ties
- ▶ (2) #8 x ½ Drill Point Screws
- ▶ 3' Power & Low Voltage Connection
- ▶ Sensor Connections
  - (1) 8' Sensor Cable
  - (1) Sensor + Bracket
- ▶ Stickers & Labels



A2L RDS KIT PART #	DESCRIPTION	DRAIN PAN USE WITH
A2LZS	A2L RDS KIT, R454B and R32, STANDARD, A	Fits all Drain Pans
A2LZR	A2L RDS KIT, R454B and R32, W/ RELAY, A	

### HELPFUL LINKS



**AHRI QUICK MATCH TOOL**  
 Identify the correct AHRI-certified match for any Aspen coil, air handler, or Aspen PRO air handler. Available on the Resources page.



**SEE PRODUCT RESOURCES**  
 Looking for technical documents, training videos, ordering terms, and more?

# TABLE OF CONTENTS

## NOMENCLATURE

ASPEN MANUFACTURING NOMENCLATURE .....	5
ASPEN UNIVERSAL EVAPORATOR COIL NOMENCLATURE.....	6
ASPEN UNIVERSAL AIR HANDLER NOMENCLATURE .....	7
METERING DEVICE SELECTION MATRIX .....	8
HEAT KIT NOMENCLATURE .....	9
ACCESS PANELS GUIDE - WAD/MAD/CAD.....	10

## EVAPORATOR COILS

### UPFLOW/DOWN FLOW .....

<b>COPPER</b>	
CA SERIES - UNCASSED.....	12
CC SERIES - CASSED .....	14
<b>ALUMINUM</b>	
DA SERIES - UNCASSED.....	16
DC SERIES - CASSED .....	18
DC SERIES (HIGH-EFFICIENCY) - CASSED .....	20

### MULTI-POSITIONC. ....

<b>COPPER</b>	
CE SERIES- CASSED .....	22
<b>ALUMINUM</b>	
DE SERIES - CASSED .....	24
DE SERIES (HIGH-EFFICENICY) - CASSED .....	26

### DEDICATED HORIZONTAL. ....

<b>COPPER</b>	
CP SERIES - PLENUM.....	28
CX SERIES .....	31
<b>ALUMINUM</b>	
DP SERIES - PLENUM.....	33
DX SERIES .....	36

### SLAB HORIZONTAL .....

<b>COPPER</b>	
BH(A/L) SERIES - HIGH/LOW.....	38
CH SERIES .....	39

### LIGHT COMMERCIAL .....

<b>COPPER</b>	
CC SERIES - CASSED UPFLOW .....	40
BH SERIES - SLAB HORIZONTAL.....	42

## AIR HANDLERS

### MULTI-POSITION .....

<b>COPPER - ELECTRIC</b>	
AAM SERIES .....	44
AEM SERIES - (HIGH-EFFICIENCY).....	49
<b>ALUMINUM - ELECTRIC</b>	
LAM SERIES - (HIGH-EFFICIENCY).....	52
LEM SERIES - (HIGH-EFFICIENCY).....	58
LGM SERIES .....	63
<b>COPPER - HYDRONIC</b>	
ABM SERIES .....	67
AFM SERIES .....	70



<b>MULTI-POSITION FURNACES</b> .....	<b>74</b>
<b>COPPER - HYDRONIC</b>	
AFL SERIES.....	74
<b>WALL MOUNT</b> .....	<b>77</b>
<b>COPPER - ELECTRIC</b>	
AEW SERIES - HIGH EFFICIENCY .....	77
<b>COPPER - HYDRONIC</b>	
ABW SERIES .....	82
AFW SERIES .....	85
<b>VERTICAL WALL MOUNT</b> .....	<b>88</b>
<b>COPPER - ELECTRIC</b>	
AAW SERIES.....	88
<b>ALUMINUM - ELECTRIC</b>	
LEW SERIES .....	93
<b>ASPEN - CEILING MOUNT</b> .....	<b>97</b>
<b>COPPER - ELECTRIC</b>	
AAC SERIES.....	97
AEC SERIES.....	100
<b>ASPENPRO - WALL MOUNT</b> .....	<b>103</b>
<b>COPPER - ELECTRIC</b>	
PAW SERIES - CASSED & UNCASSED DX COOL.....	103
PEW SERIES - CASSED & UNCASSED DX COOL .....	107
<b>ASPENPRO - CEILING MOUNT</b> .....	<b>111</b>
<b>COPPER - ELECTRIC</b>	
PES/PET SERIES - CASSED & UNCASSED DX COOL.....	111
PAS/PAT SERIES - CASSED & UNCASSED DX COOL.....	115
<b>ALUMINUM - ELECTRIC</b>	
RES/RET SERIES - CASSED & UNCASSED ECM DX COOL.....	119
<b>COPPER - HYDRONIC</b>	
PBS/PBT SERIES - CASSED & UNCASSED DX COOL.....	123
<b>COPPER - HIGH-EFFICIENCY HYDRONIC</b>	
PF(S/T) SERIES - CASSED & UNCASSED ECM DX COOL.....	126
<b>MANUFACTURED HOUSING</b>	
<b>UPFLOW/DOWN FLOW</b> .....	<b>129</b>
<b>COPPER</b>	
CM SERIES - UNCASSED .....	129
<b>ALUMINUM</b>	
DM SERIES - UNCASSED .....	131
<b>UPFLOW/DOWNFLOW FURNACES</b> .....	<b>133</b>
<b>ONE-PIECE - ELECTRIC</b>	
AE(D/U)-(S/L) SERIES.....	133
<b>TWO-PIECE - ELECTRIC</b>	
AEN SERIES.....	136
<b>ORDERING REFERENCE MATERIALS</b>	
ASPEN MANUFACTURING - ORDERING INFORMATION .....	139
ASPEN MANUFACTURING - TERMS & CONDITIONS.....	141
CABINET COLOR SELECTION GUIDE .....	143

## WHERE HVAC INNOVATION MEETS DISTRIBUTION STRENGTH

From our first coil to our latest innovations, Aspen's commitment to our wholesale partners has never wavered — because your success is our legacy.



### ABOUT ASPEN MANUFACTURING

Founded in 1975 and proudly headquartered in Humble, Texas, Aspen Manufacturing is one of North America's largest independent producers of evaporator coils and air handlers. As part of the RectorSeal family, Aspen delivers high-quality residential and light commercial products under the Aspen, Aspen Pro, and AirMark brands.

*Designed, engineered, and assembled in the USA, Aspen products combine advanced fabrication, lean manufacturing, and rigorous quality control to ensure reliable performance, short lead times, and exact fit. With AHRI-certified systems, UL compliance, and ASTM-approved materials, Aspen sets the standard for durability and efficiency.*

For nearly 50 years, Aspen has delivered unmatched flexibility and value to contractors, distributors, and homeowners alike. Learn more at [www.aspenmfg.com](http://www.aspenmfg.com) and [www.airmark-ac.com](http://www.airmark-ac.com).

### ABOUT RECTORSEAL

RectorSeal, LLC, a wholly owned subsidiary of CSW Industrials, Inc. [NYSE: CSW], is a leading provider of quality solutions for the professional trades serving heating, ventilation, and air conditioning (HVAC/R), plumbing, electrical, and construction markets. For more information about RectorSeal's innovative products and brands that increase efficiency and improve reliability, please visit [www.RectorSeal.com](http://www.RectorSeal.com).

### ABOUT CSW INDUSTRIALS

CSW Industrials is a diversified industrial growth company with industry-leading operations in three segments: Contractor Solutions, Specialized Reliability Solutions, and Engineered Building Solutions. CSW provides niche, value-added products with two essential commonalities: performance and reliability. The primary end markets we serve with our well-known brands include HVAC/R, plumbing, electrical, general industrial, architecturally-specified building products, energy, mining, and rail transportation. For more information, please visit [www.cswindustrials.com](http://www.cswindustrials.com).



# INDUSTRY LEADING QUALITY



## QUALITY MANUFACTURING

Aspen utilizes state-of-the-art fabrication, assembly equipment, and stringent quality processes to maintain the highest possible quality in its products. The company adheres to its award-winning lean manufacturing system designed to eliminate inefficient procedures, policies, and production practices. Aspen is proud to share that the company offers customers the shortest possible lead times, delivering on our supply commitments. Incorporating ISO techniques, the company's quality management system (QMS) ensures product delivery that meets the highest industry standards. Aspen's leading-edge technology in product quality testing and assurance provides for products that meet or exceed industry standards for excellence.

## QUALITY COMPLIANCE

Aspen units are AHRI Certifiable (210/240) with all major brands of HVAC equipment. In addition, Aspen products are compliant with UL 1995 4th edition safety requirements. All raw metal, plastic, and paint materials comply with the ASTM standards. Beyond technical compliance, Aspen can quickly adapt to changing market demands thanks to the company's nimble ability to react to changes in requirements and leadership's commitment to enabling a customer-centered company philosophy.

## PRODUCT QUALITY

The company relies on rigorous quality control measures to ensure the delivery of energy-efficient products designed and built to the highest standards. Aspen provides its customers with thousands of product options, including OEM matching painted or embossed unpainted cabinets. When you choose Aspen, you get coils with an exact furnace fit explicitly manufactured to customer specifications. Even though Aspen is one of the largest independent coil manufacturers, the company readily provides custom-fit flexibility as part of its customer-centric philosophy.

## QUALITY ASSURANCE

Aspen Customers Benefit From:

- **100% Coil Pressure Testing** – Every coil is pressure tested for proven reliability.
- **100% Run-Testing** – All air handlers are run-tested at the factory for quality assurance.
- **Exclusive Schrader Valve** – DX and hydronic heating coils include an industry-exclusive liquid line Schrader valve for quick "hiss testing."
- **Factory Holding Charge** – Select units ship with up to a 60 psi dry holding charge for easier installation.
- **Residential Warranty Coverage** – 10-Year hassle-free Limited Warranty on C and D series coils, plus Aspen multi-position and wall-mount air handlers (with registration).
- **Commercial & Manufactured Housing Warranty** – 5-Year Parts Limited Warranty covers Light Commercial and Manufactured Housing units.

## ABOUT US

# UNIVERSAL SERIAL NUMBER

**A**      **00**      -      **12345**

①

---

① **MONTH CODE**

<b>A</b> = JANUARY	<b>D</b> = APRIL	<b>G</b> = JULY	<b>K</b> = OCTOBER
<b>B</b> = FEBRUARY	<b>E</b> = MAY	<b>H</b> = AUGUST	<b>L</b> = NOVEMBER
<b>C</b> = MARCH	<b>F</b> = JUNE	<b>J</b> = SEPTEMBER	<b>M</b> = DECEMBER

②

---

② **YEAR CODE**

<b>00</b> = 2000	<b>06</b> = 2006	<b>12</b> = 2012	<b>18</b> = 2006	<b>24</b> = 2024
<b>01</b> = 2001	<b>07</b> = 2007	<b>13</b> = 2013	<b>19</b> = 2019	<b>25</b> = 2025
<b>02</b> = 2002	<b>08</b> = 2008	<b>14</b> = 2014	<b>20</b> = 2020	
<b>03</b> = 2003	<b>09</b> = 2009	<b>15</b> = 2015	<b>21</b> = 2021	
<b>04</b> = 2004	<b>10</b> = 2010	<b>16</b> = 2016	<b>22</b> = 2022	
<b>05</b> = 2005	<b>11</b> = 2011	<b>17</b> = 2017	<b>23</b> = 2023	

③

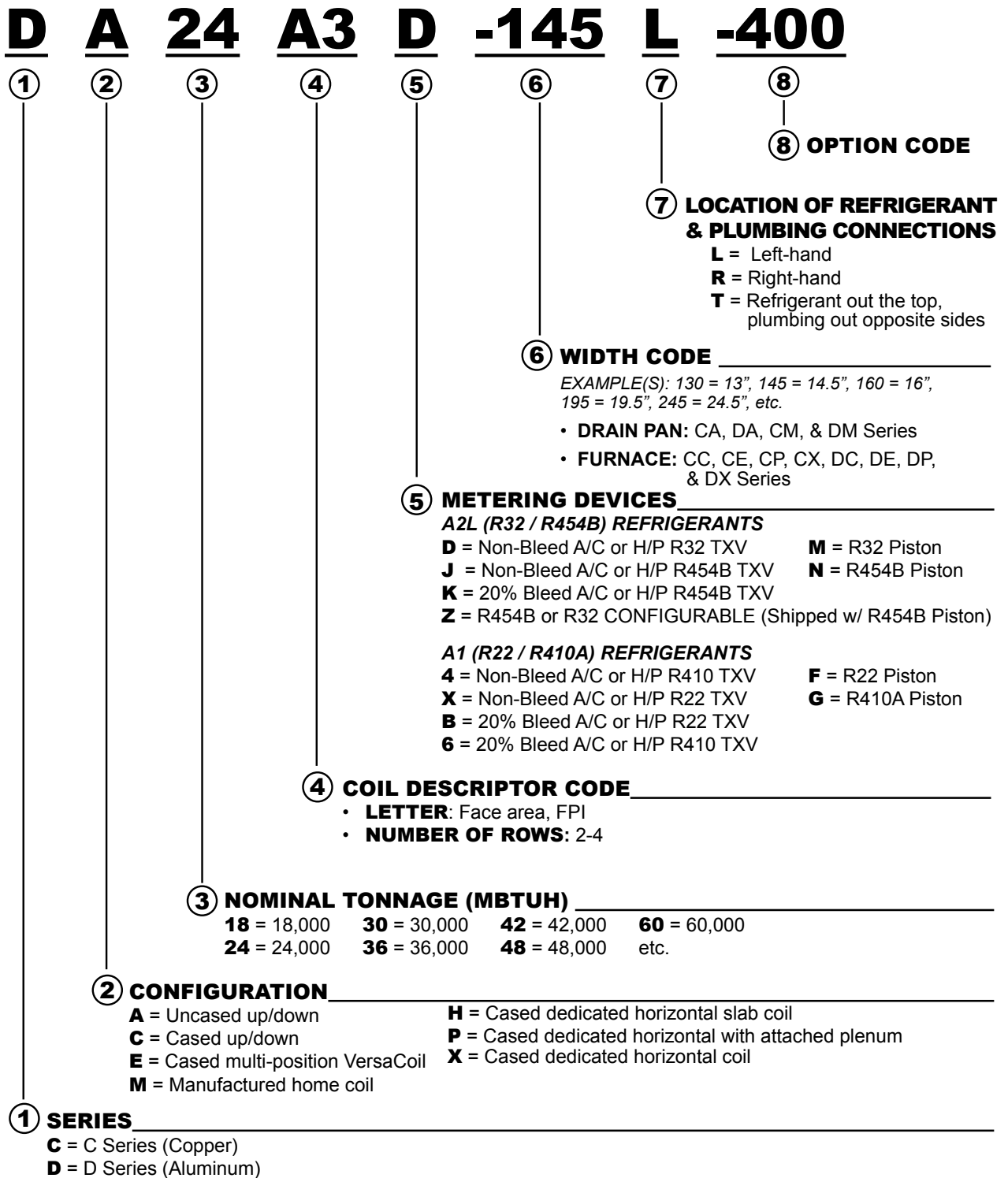
---

③ **SEQUENTIAL SERIAL NUMBER** \_\_\_\_\_

DRAIN PAN TEMPERATURE TABLE	
DRAIN PAN TYPE	TEMP LIMITS
Plastic - Standard	290°
Plastic - High Temp	425°
Metal - High Temp	600°

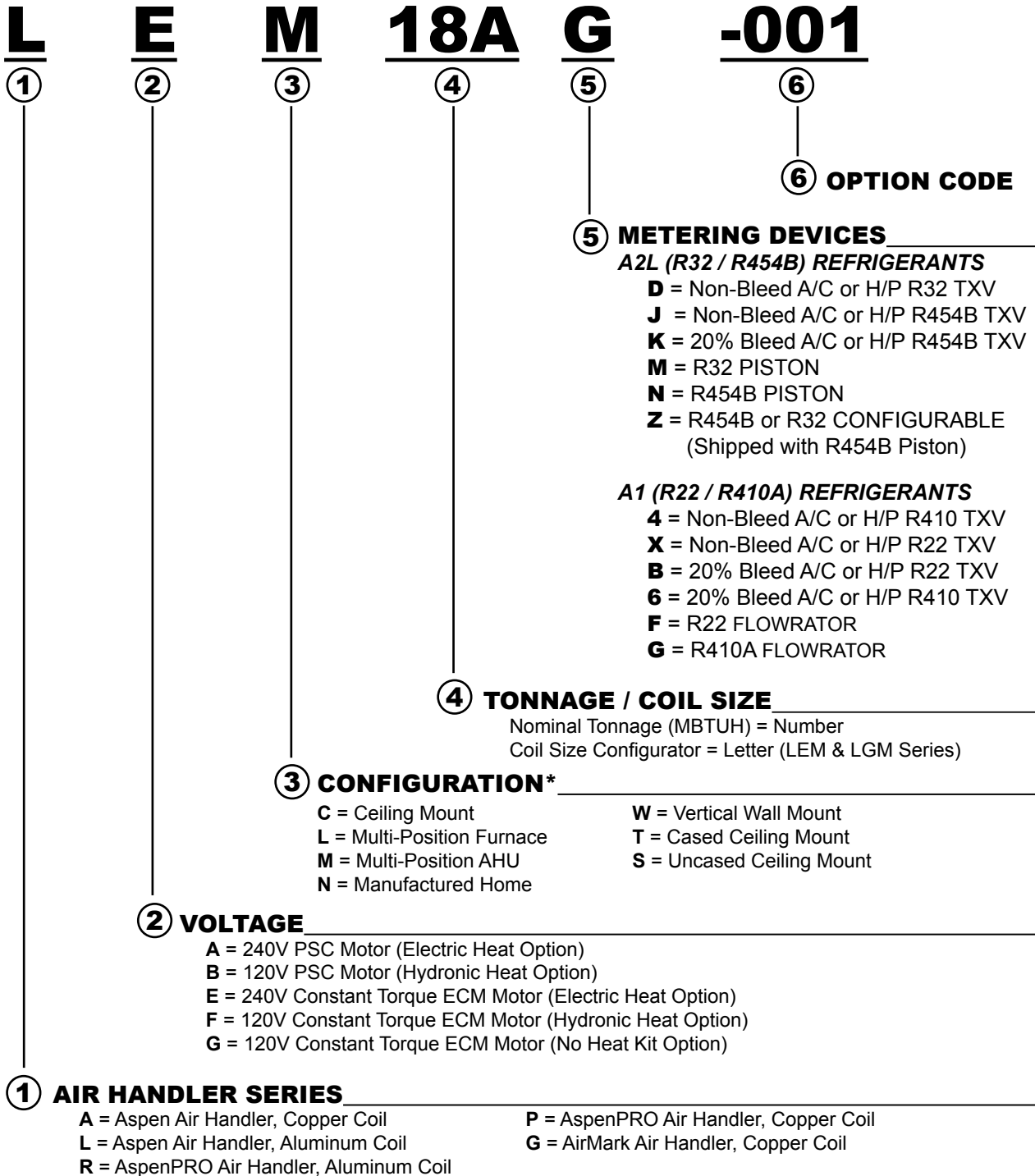
# UNIVERSAL EVAPORATOR COIL

## SERIAL NUMBER



# UNIVERSAL AIR HANDLER

## SERIAL NUMBER



# METERING DEVICE SELECTION MATRIX

TXV SELECTION - RESIDENTIAL						
TONNAGE	REFRIGERANT	AC OR HP	20% BLEED PORT	TXV KIT	ASPEN PART	Ordering Nomenclature
						"C/D" COILS, "A/L" AH's
1.5 - 2.0	R-410A	Both	NO	X5-3	4200	4
2.5 - 3.5	R-410A		NO	X5-4	4201	4
4.0 - 5.0	R-410A		NO	X5-5	4202	4
1.5 - 3.0	R-410A		YES	X6-3	4203	6
3.5 - 5.0	R-410A		YES	X6-5	4204	6
1.5 - 3.0	R-22		YES	X3-3	4044	B
3.5 - 5.0	R-22		NO	X3-5	4050	B
1.5 - 3.0	R-22		NO	X2-3	4190	X
3.5 - 5.0	R-22		NO	X2-5	4195	X

TXV SELECTION - A2L REFRIGERANTS						
TONNAGE	REFRIGERANT	AC OR HP	20% BLEED PORT	TXV KIT	ASPEN PART	Ordering Nomenclature
						"C/D" COILS, "A/L" AH's
1.5 - 3	R-454B	Both	YES	X454-BS	70002	K
	R-454B		NO	X454S	70011	J
	R-32		NO	X32S	70014	D
3.5 - 5	R-454B		YES	X454-BL	70005	K
	R-454B		NO	X454L	70012	J
	R-32		NO	X32L	70015	D

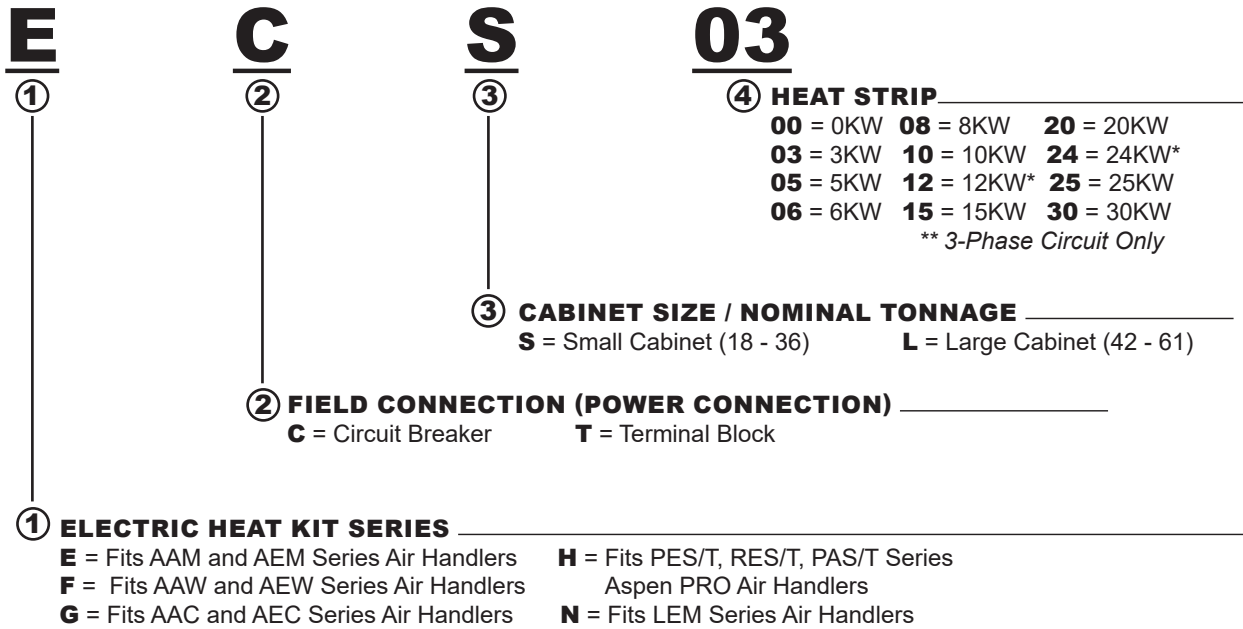
TXV SELECTION - COMMERCIAL				
Commercial Coil Model	SINGLE CIRCUIT		DUAL CIRCUIT	
	R22 TXV	R410A TXV	USE TWO R22 TXVs	USE TWO R410A TXVs
BV***72+(* )	(X1) 4195	(X4) 4202	(X1) 4190	(X4) 4200
BV***90+(* )	-	(X4) 3947+3948	(X1) 4195	(X4) 4202
BV***120+(* )	-	(X4) 3947+3948	(X1) 4195	(X4) 4202
CC72**(* )	(X) 4195	(4) 4202	(X) 4190	(4) 4200
CC90**(* )	-	(4) 3947+3948	(X) 4195	(4) 4202
CC120**(* )	-	(4) 3947+3948	(X) 4195	(4) 4202

A1 PISTON SELECTION - NON-TXV				
TONNAGE	ORIFICE SIZE	PART #	ORIFICE SIZE	PART #
	R22	F	R410A	G
1	0.041	3962	N/A	N/A
1.5	0.055	3999	0.049	4006
2	0.059	4000	0.055	3999
2.5	0.068	3987	0.059	4000
3	0.074	4001	0.068	3987
3.5	0.080	3990	0.074	4001
4	0.084	3991	0.080	3990
5	0.092	3998	0.089	3960

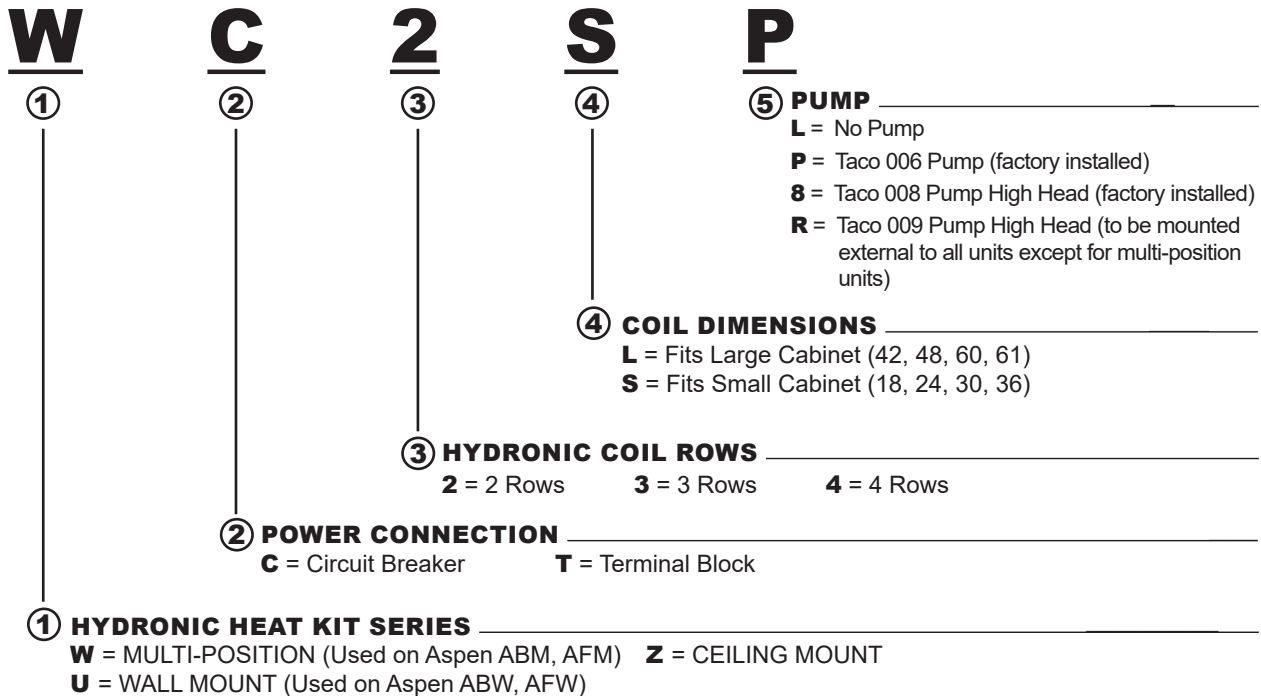
A2L PISTON SELECTION - NON-TXV				
TONNAGE	ORIFICE SIZE	PART #	ORIFICE SIZE	PART #
	R32	M	R454B	N
1.5	0.042	4105	0.045	4033
2	0.049	4006	0.052	4007
2.5	0.053	3978	0.059	4000
3	0.057	3984	0.065	3980
3.5	0.063	3973	0.070	3993
4	0.065	3980	0.076	3989
5	0.074	4001	0.077	3995

# ELECTRIC & HYDRONIC HEAT KITS

## ELECTRIC HEAT KITS

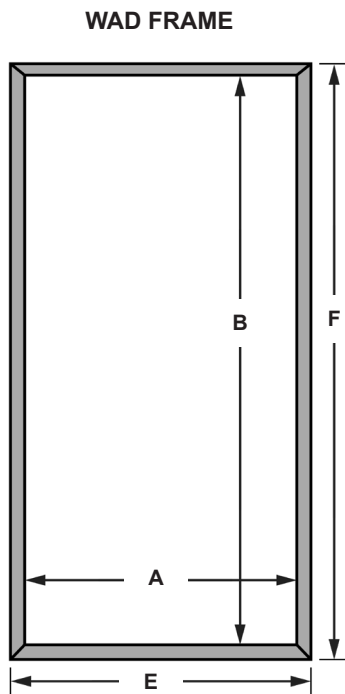
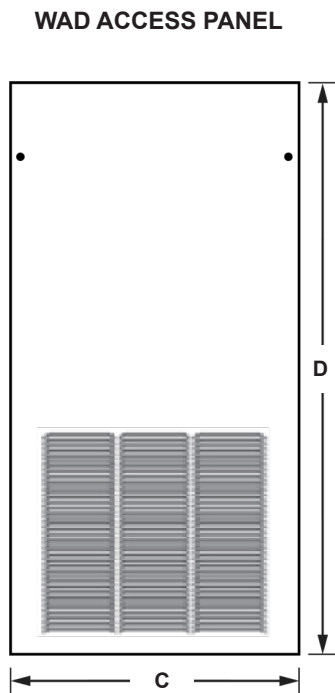


## HYDRONIC HEAT KITS



# WAD PANEL DIMENSIONAL DATA

**FIGURE 1 - WAD 7/8/9/10/16/17/18/19/20/21/22/23/24/25 ACCESS PANELS**



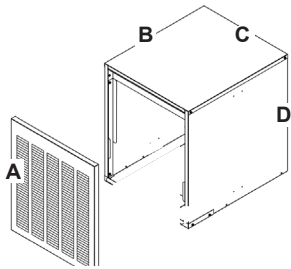
WAD PANEL DIMENSIONS (In.) - FIGURE 1								
PANEL MODEL	COMPATIBLE MODELS + TONNAGES	FINISH	OPENING SIZE		PANEL DIMENSION		FRAME DIMENSION	
			A	B	C	D	E	F
WAD-7 (S/L)	A(A,E)W18/23/24 LEW30B/30C/36A PAW22/28 PEW22/28/29	Embossed	22-5/8	39-7/8	24-1/4	41-1/2	24-1/8	41-3/8
WAD-8 (S/L)	A(A,E)W30/36 LEW30E/36C PAW32/33/34/38 PEW33/34/38	Embossed	22-5/8	42-7/8	24-1/4	44-1/2	24-1/8	44-3/8
WAD-9 (S/L)	A(B,F)W18/24/30/36	Embossed	22-5/8	46-3/8	24-1/4	48	24-1/8	47-7/8
WAD-10 (S/L)	A(B,F)W18/24/30/36	Embossed	22-5/8	52-3/8	24-1/4	54	24-1/8	53-7/8
WAD-16 (S/L)	A(B,F)W18/24/30/36	Smooth	22-1/4	52	24-1/4	54	24-1/8	53-7/8
WAD-17 (S/L)	A(B,F)W18/24/30/36	Smooth	22-1/4	46	24-1/4	48	24-1/8	47-7/8
WAD-18 (S/L)	A(A,E)W18/23/24 LEW30B/30C/36A PAW22/28 PEW22/28/29	Smooth	22-5/8	39-7/8	24-1/4	41-1/2	24-1/8	41-3/8
WAD-19 (S/L)	A(A,E)W30/36 LEW30E/36C PAW32/33/34/38 PEW33/34/38	Smooth	22-5/8	42-7/8	24-1/4	44-1/2	24-1/8	44-3/8
WAD-20 (S/L)	A(A,E)W19/20/25/26 LEW30A P(A,E)W21/27 PEW21	Embossed	21-1/8	38-3/8	22-3/4	40	22-5/8	39-7/8
WAD-21 (S/L)	A(A,E)W31/37 LEW30D/30F/36B/36D PAW29/35	Embossed	24-5/8	38-3/8	26-1/4	40	26-1/8	39-7/8
WAD-22 (S/L)	A(A,E)W19/20/25/26 LEW30A PAW21/27 PEW21	Smooth	21-1/8	38-3/8	22-3/4	40	22-5/8	39-7/8
WAD-23 (S/L)	(A,E)W31/37 LEW30D/30F/36B/36D PAW29/35	Smooth	24-5/8	38-3/8	26-1/4	40	26-1/8	39-7/8
WAD-24 (S/L)	A(B,F)W18/24/30/36	Smooth	21-1/4	52	24	54	27-5/16	51-1/4
WAD-25 (S/L)	A(B,F)W18/24/30/36	Smooth	21-1/4	46	24	48	27-5/16	51-1/4

WAD-AP-DIMS-2025-09

In keeping with its commitment to continuous improvement, Aspen Manufacturing reserves the right to make changes without notice and incurring obligation. To stay up-to-date with this product and Aspen's trusted line of coils, air handlers, and more, go to our website. © 2025 Aspen Manufacturing. All Rights Reserved

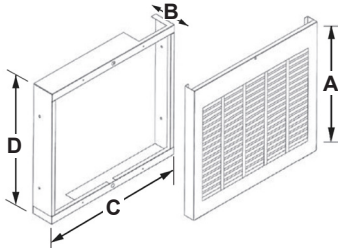
# MAD & CAD CABINET DIMENSIONAL DATA

**FIGURE 2 - MAD-1/MAD-2/MAD-3 CABINETS**



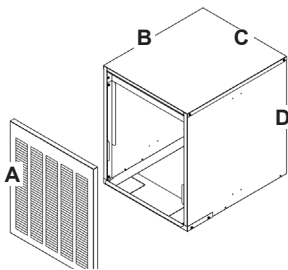
MAD CABINET DIMENSIONS (In.) - FIGURE 2					
COMPATIBLE MODEL SERIES	PANEL MODEL	OPENING SIZE		PANEL SIZE	
		A	B	C	D
AEN	MAD-1(L)	18	23-1/2	19-3/4	18
	MAD-2(L)	24	23-1/2	19-3/4	24
	MAD-3(L)	36	23-1/2	19-3/4	36

**FIGURE 3 - MAD-04 CABINETS**



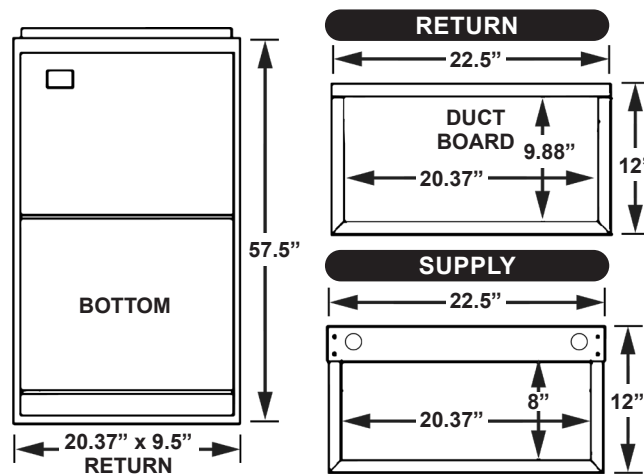
MAD CABINET DIMENSIONS (In.) - FIGURE 3					
COMPATIBLE MODEL SERIES	PANEL MODEL	OPENING SIZE		PANEL SIZE	
		A	B	C	D
AEN	MAD-04(L)	24	3	19-3/4	24

**FIGURE 4 - MAD-7/MAD-8/MAD-9 CABINETS**



MAD CABINET DIMENSIONS (In.) - FIGURE 4					
COIL CABINET APPLICATION	PANEL MODEL	OPENING SIZE		PANEL SIZE	
		A	B	C	D
DOWNFLOW (FRONT RETURN)	MAD-7	24	23-1/2	19-3/4	24
UPFLOW (BOTTOM RETURN)	MAD-8	24	23-1/2	19-3/4	24
DOWNFLOW (TOP RETURN)	MAD-9	24	23-1/2	19-3/4	24

**FIGURE 5 - CAD-4 CABINETS**



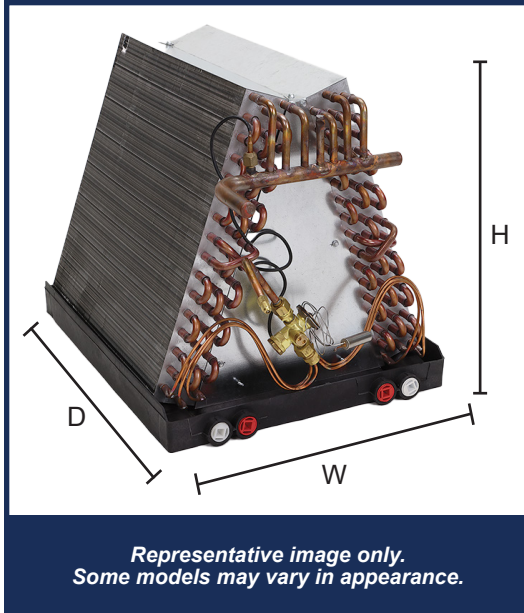
CAD CABINET DIMENSIONS (In.) - FIGURE 5								
COMPATIBLE MODEL SERIES	PANEL MODEL	OPENING SIZE		PANEL SIZE		FRAME ASSY SIZE		# OF PANELS
		A	B	C	D	E	F	
AAC/AEC	CAD-4(S/L)	22-3/4	58	24-3/4	60	24-5/8	59-7/8	2

CAD-MAD-CAB-DIMS-2025-09

In keeping with its commitment to continuous improvement, Aspen Manufacturing reserves the right to make changes without notice and incurring obligation. To stay up-to-date with this product and Aspen's trusted line of coils, air handlers, and more, go to our website. © 2025 Aspen Manufacturing. All Rights Reserved

# CA SERIES

▶ COPPER  
▶ UNCASED



## STANDARD FEATURES

- Rifled copper tubing, enhanced aluminum fins.
- Standard Upflow without field modification. Downflow applications require field kit, sold separately.
- Immersion tested at 500 psi, followed by nitrogen pressurization and factory sealing to ensure optimal system integrity and long-term reliability.
- Schrader valve provided for pressure assurance testing.
- Left/right-hand standard refrigerant and plumbing connections:
  - Liquid line: 3/8" ODS
  - Suction line:
    - ▶ 3/4" ODS on 1-1/2-ton to 3-ton
    - ▶ 7/8" ODS on 3-1/2-ton to 5-ton
  - Condensate Drains: 3/4" NPT
- Heavy duty plastic or metal drain pans.
- ETL listed for R22, R410A, R454B, and R32 refrigerants.
- A2L refrigerants require a Refrigerant Detection System (RDS) for compliance.
- AHRI certifiable with all brands of A/C and heat pump systems.

## WARRANTY

- Ten-year limited warranty with registration.

## CUSTOMIZATION OPTIONS

### UNIVERSAL A2L REFRIGERANT TECHNOLOGY FOR R32 & R454B SYSTEMS

#### IDEAL FOR USE WITH BOTH CASED AND UNCASED COILS, PLUS ALL AIR HANDLERS!

Versa Dual Refrigerant Coils are easily configurable for use with either R32 or R454B refrigerant with proper metering device. Utilizing universal Refrigerant Detection Systems (RDS) to ensure regulatory compliance.

#### CUSTOM OPTIONS:

- Refrigerant Detection System (RDS) kit factory-installed.
- Left and right refrigerant connections to match OEM(s).
- Factory or field-installed TXV available.
- Powder-painted metal pans.

#### DOWNFLOW KIT OPTIONS:

##### METAL DRAIN PANS

- 16" DWNFLWM-16
- 18" DWNFLWM-18

##### PLASTIC DRAIN PANS

DWNFLWP

R51341 11/25



R-410A • R-22 • R-454B • R-32  
**REFRIGERANT READY**  
WHEN PROPER METERING DEVICE IS USED



In keeping with its commitment to continuous improvement, Aspen Manufacturing reserves the right to make changes without notice and incurring obligation. To stay up-to-date with this product and Aspen's trusted line of coils, air handlers, and more, go to our website. © 2026 Aspen Manufacturing. All Rights Reserved

CA SERIES: DIMENSIONAL DATA (In.)											
COIL MODEL	NOM. CAPACITY	DRAIN PAN SIZE						SHIPPING INFO.			
		STANDARD WIDTH				DEPTH	COIL ASMBLY HEIGHT	WEIGHT (LBS)			SKID QTY
	W"				D"			H"	# OF ROWS		
	BTU	13"	16"	19-1/2"		23"	2		3	4	
CA24A*	24,000	13 <sup>(4)</sup>	16 <sup>(4)</sup>	19-1/2	-	19-3/8	13-1/2	17	27	35	30
CA24B*		13 <sup>(4)</sup>	16 <sup>(4)</sup>	19-1/2	-	19-3/8	15-1/2	20	31	41	25
CA24C*		13 <sup>(4)</sup>	16 <sup>(4)</sup>	19-1/2	-	19-3/8	17-1/2	23	36	47	25
CA24D*		13 <sup>(4)</sup>	16 <sup>(4)</sup>	19-1/2	-	19-3/8	19-1/2	25	40	53	20
CA30A*	30,000	13 <sup>(4)</sup>	16 <sup>(4)</sup>	19-1/2	-	19-3/8	15-1/2	20	31	41	25
CA30B*		13 <sup>(4)</sup>	16 <sup>(4)</sup>	19-1/2	-	19-3/8	17-1/2	23	36	47	25
CA30C*		13 <sup>(4)</sup>	16 <sup>(4)</sup>	19-1/2	-	19-3/8	19-1/2	25	40	53	20
CA30D*		13 <sup>(4)</sup>	16 <sup>(4)</sup>	19-1/2	-	19-3/8	21-1/2	28	45	58	16
CA30E*		13 <sup>(4)</sup>	16 <sup>(4)</sup>	19-1/2	-	19-3/8	21-1/2	30	47	60	16
CA36A*	36,000	13 <sup>(4)</sup>	16 <sup>(4)</sup>	19-1/2	-	19-3/8	17-1/2	23	26	47	25
CA36B*		13 <sup>(4)</sup>	16 <sup>(4)</sup>	19-1/2	-	19-3/8	19-1/2	25	40	53	20
CA36C*		13 <sup>(4)</sup>	16 <sup>(4)</sup>	19-1/2	-	19-3/8	21-1/2	28	45	58	16
CA36D*		13 <sup>(4)</sup>	16 <sup>(4)</sup>	19-1/2	-	19-3/8	23-1/2	31	49	64	12
CA42A*	42,000	-	16 <sup>(4)</sup>	19-1/2	23	19-3/8	25-1/2	25	40	53	20
CA42B*		-	16 <sup>(4)</sup>	19-1/2	23	19-3/8	21-1/2	28	45	58	16
CA42C*		-	16 <sup>(4)</sup>	19-1/2	23	19-3/8	23-1/2	31	49	64	12
CA42D*		-	16 <sup>(4)</sup>	19-1/2	23	19-3/8	25-1/2	34	54	70	12
CA48A*	48,000	-	16 <sup>(4)</sup>	19-1/2	23	19-3/8	21-1/2	28	45	58	16
CA48B*		-	16 <sup>(4)</sup>	19-1/2	23	19-3/8	23-1/2	31	49	64	12
CA48C*		-	16 <sup>(4)</sup>	19-1/2	23	19-3/8	25-1/2	34	54	70	12
CA48D*		-	16 <sup>(4)</sup>	19-1/2	23	19-3/8	27-1/2	37	58	76	12
CA48F*		-	16 <sup>(4)</sup>	19-1/2	23	19-3/8	25-1/2	36	56	72	12
CA48G*		-	16 <sup>(4)</sup>	19-1/2	23	19-3/8	27-1/2	39	60	78	12
CA60A*	60,000	-	-	19-1/2	23	19-3/8	25-1/2	34	54	70	12
CA60B*		-	-	19-1/2	23	19-3/8	27-1/2	37	58	76	12
CA60C*		-	-	19-1/2 <sup>(2)</sup>	23 <sup>(2)</sup>	21-3/4 <sup>(2)</sup>	24-1/2	38	60	79	12
CA60D*		-	-	19-1/2 <sup>(2)</sup>	23 <sup>(2)</sup>	21-3/4 <sup>(2)</sup>	26-1/2	41	65	86	12
CA60E*		-	-	-	24 <sup>(3)</sup>	21 <sup>(3)</sup>	26-1/2	46	73	95	12
CA60F*		-	-	19-1/2	23	19-3/8	25-1/2	41	62	80	12
CA60G*		-	-	-	24 <sup>(3)</sup>	21 <sup>(3)</sup>	26-1/2	48	75	97	12

**Notes:** 1) Do not use plastic drain pans on oil furnaces or other applications where the outlet temperature may exceed 425 F. Use high temp plastic drain pan where furnace outlet temperatures exceed 290 F. 2) Metal drain pan. 3) Metal drain pan. Slab rotated 90°. Refrigerant and plumbing connections still exit in front. 4) Only metal drain pans are available for 13" and 16" wide 4 row coils.

DRAIN PAN TEMPERATURE TABLE	
DRAIN PAN TYPE	TEMPERATURE LIMITS
Plastic - Standard	290°
Plastic - High Temp	425°
Metal - High Temp	600°

R51341 11/25

**HELPFUL LINKS**



**VIEW PRODUCT ONLINE**

For full warranty terms and conditions, please refer to the Warranty Information section on Aspen's official website.



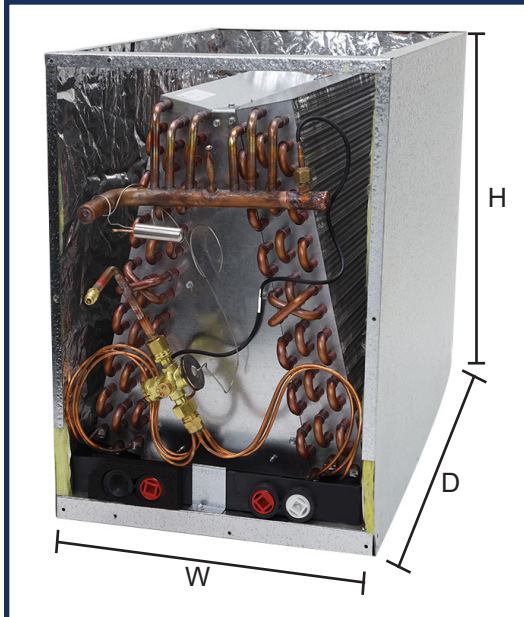
**VIEW VERSA DUAL REFRIGERANT COILS ONLINE**

Learn more about Aspen's A2L Refrigerant Technology for R32 and R454B Systems.

In keeping with its commitment to continuous improvement, Aspen Manufacturing reserves the right to make changes without notice and incurring obligation. To stay up-to-date with this product and Aspen's trusted line of coils, air handlers, and more, go to our website. © 2026 Aspen Manufacturing. All Rights Reserved

# CC SERIES

- ▶ COPPER
- ▶ CASED



Unit shown with service panels removed. Representative image only. Some models may vary in appearance.

### STANDARD FEATURES

- Rifled copper tubing, enhanced aluminum fins.
- Standard Upflow without field modification. Downflow applications require field kit, sold separately.
- Immersion tested at 500 psi, followed by nitrogen pressurization and factory sealing to ensure optimal system integrity and long-term reliability.
- Schrader valve provided for pressure assurance testing.
- Left/right-hand standard refrigerant/plumbing connections:
  - Liquid line: 3/8" ODS
  - Suction line:
    - ▶ 3/4" ODS on 1-1/2-ton to 3-ton
    - ▶ 7/8" ODS on 3-1/2-ton to 5-ton
  - Condensate Drains: 3/4" NPT
- Embossed galvanized cabinets standard. Fully insulated cabinets with faced insulation. Split access doors in front of cabinet for easy service access.
- ETL listed for R22, R410A, R454B, and R32 refrigerants (A2L Refrigerants certified with Refrigerant Detection System (RDS)).
- A2L refrigerants require a Refrigerant Detection System (RDS) for compliance.
- AHRI certifiable with all brands of A/C and heat pump systems.

### WARRANTY

- Ten-year limited warranty with registration.

### CUSTOMIZATION OPTIONS\*

#### UNIVERSAL A2L REFRIGERANT TECHNOLOGY FOR R32 & R454B SYSTEMS

#### IDEAL FOR USE WITH BOTH CASED AND UNCASSED COILS, PLUS ALL AIR HANDLERS!

Versa Dual Refrigerant Coils are easily configurable for use with either R32 or R454B refrigerant with proper metering device. Utilizing universal Refrigerant Detection Systems (RDS) to ensure regulatory compliance.

#### CUSTOM OPTIONS:

- Refrigerant Detection System (RDS) kit factory-installed.
- Left and right refrigerant connections to match OEM(s).
- Factory or field-installed TXV available.
- Powder-painted metal pans.

#### DOWNFLOW KIT OPTIONS:

##### METAL DRAIN PANS

- 16" DWNFLWM-16
- 18" DWNFLWM-18

##### PLASTIC DRAIN PANS

DWNFLWP

R51341 11/25



In keeping with its commitment to continuous improvement, Aspen Manufacturing reserves the right to make changes without notice and incurring obligation. To stay up-to-date with this product and Aspen's trusted line of coils, air handlers, and more, go to our website. © 2026 Aspen Manufacturing. All Rights Reserved

CC SERIES: DIMENSIONAL DATA (In.)														
COIL MODEL	NOM. CAPACITY	DRAIN PAN SIZE									SHIPPING INFO.			
		STANDARD CABINET WIDTH							DEPTH	COIL ASSEMBLY HEIGHT	WEIGHT (LBS)			SKID QTY
		W"									# OF ROWS			
		BTU	14"	14-1/2"	17"	17-1/2"	21"	24"			24-1/2"	D"	H"	
CC24A*	24,000	14 <sup>(4)</sup>	14-1/2 <sup>(4)</sup>	17 <sup>(4)</sup>	17-1/2 <sup>(4)</sup>	21	-	-	21-1/2	16	29	37	45	20
CC24B*		14 <sup>(4)</sup>	14-1/2 <sup>(4)</sup>	17 <sup>(4)</sup>	17-1/2 <sup>(4)</sup>	21	-	-	21-1/2	16	34	44	52	20
CC24C*		14 <sup>(4)</sup>	14-1/2 <sup>(4)</sup>	17 <sup>(4)</sup>	17-1/2 <sup>(4)</sup>	21	-	-	21-1/2	20	39	50	59	16
CC24D*		14 <sup>(4)</sup>	14-1/2 <sup>(4)</sup>	17 <sup>(4)</sup>	17-1/2 <sup>(4)</sup>	21	-	-	21-1/2	20	44	56	67	16
CC30A*	30,000	14 <sup>(4)</sup>	14-1/2 <sup>(4)</sup>	17 <sup>(4)</sup>	17-1/2 <sup>(4)</sup>	21	-	-	21-1/2	16	34	44	52	20
CC30B*		14 <sup>(4)</sup>	14-1/2 <sup>(4)</sup>	17 <sup>(4)</sup>	17-1/2 <sup>(4)</sup>	21	-	-	21-1/2	20	39	50	59	16
CC30C*		14 <sup>(4)</sup>	14-1/2 <sup>(4)</sup>	17 <sup>(4)</sup>	17-1/2 <sup>(4)</sup>	21	-	-	21-1/2	20	44	56	67	16
CC30D*		14 <sup>(4)</sup>	14-1/2 <sup>(4)</sup>	17 <sup>(4)</sup>	17-1/2 <sup>(4)</sup>	21	-	-	21-1/2	24	49	52	74	12
CC30E*		14 <sup>(4)</sup>	14-1/2 <sup>(4)</sup>	17 <sup>(4)</sup>	17-1/2 <sup>(4)</sup>	21	-	-	21-1/2	24	51	54	76	12
CC36A*	36,000	14 <sup>(4)</sup>	14-1/2 <sup>(4)</sup>	17 <sup>(4)</sup>	17-1/2 <sup>(4)</sup>	21	-	-	21-1/2	20	39	50	59	16
CC36B*		14 <sup>(4)</sup>	14-1/2 <sup>(4)</sup>	17 <sup>(4)</sup>	17-1/2 <sup>(4)</sup>	21	-	-	21-1/2	20	44	56	67	16
CC36C*		14 <sup>(4)</sup>	14-1/2 <sup>(4)</sup>	17 <sup>(4)</sup>	17-1/2 <sup>(4)</sup>	21	-	-	21-1/2	24	49	62	74	12
CC36D*		14 <sup>(4)</sup>	14-1/2 <sup>(4)</sup>	17 <sup>(4)</sup>	17-1/2 <sup>(4)</sup>	21	-	-	21-1/2	24	54	69	82	12
CC36E*		14 <sup>(4)</sup>	14-1/2 <sup>(4)</sup>	17 <sup>(4)</sup>	17-1/2 <sup>(4)</sup>	21	-	-	21-1/2	20	39	50	59	16
CC36F*		14 <sup>(4)</sup>	14-1/2 <sup>(4)</sup>	17 <sup>(4)</sup>	17-1/2 <sup>(4)</sup>	21	-	-	21-1/2	28	63	81	96	12
CC42A*	42,000	-	-	17 <sup>(4)</sup>	17-1/2 <sup>(4)</sup>	21	24	24-1/2	21-1/2	20	44	56	67	16
CC42B*		-	-	17 <sup>(4)</sup>	17-1/2 <sup>(4)</sup>	21	24	24-1/2	21-1/2	24	49	62	74	12
CC42C*		-	-	17 <sup>(4)</sup>	17-1/2 <sup>(4)</sup>	21	24	24-1/2	21-1/2	24	54	69	82	12
CC42D*		-	-	17 <sup>(4)</sup>	17-1/2 <sup>(4)</sup>	21	24	24-1/2	21-1/2	28	58	75	89	12
CC42E*		-	-	17 <sup>(4)</sup>	17-1/2 <sup>(4)</sup>	21	24	24-1/2	21-1/2	20	44	45	67	16
CC42F*		-	-	17 <sup>(4)</sup>	17-1/2 <sup>(4)</sup>	21	24	24-1/2	21-1/2	28	63	81	96	12
CC48A*	48,000	-	-	17 <sup>(4)</sup>	17-1/2 <sup>(4)</sup>	21	24	24-1/2	21-1/2	24	49	62	74	12
CC48B*		-	-	17 <sup>(4)</sup>	17-1/2 <sup>(4)</sup>	21	24	24-1/2	21-1/2	24	54	69	82	12
CC48C*		-	-	17 <sup>(4)</sup>	17-1/2 <sup>(4)</sup>	21	24	24-1/2	21-1/2	28	58	75	89	12
CC48D*		-	-	17 <sup>(4)</sup>	17-1/2 <sup>(4)</sup>	21	24	24-1/2	21-1/2	28	63	81	96	12
CC48F*		-	-	17 <sup>(4)</sup>	17-1/2 <sup>(4)</sup>	21	24	24-1/2	21-1/2	28	60	77	91	12
CC48G*		-	-	17 <sup>(4)</sup>	17-1/2 <sup>(4)</sup>	21	24	24-1/2	21-1/2	28	65	83	98	12
CC60A*	60,000	-	-	-	-	21	24	24-1/2	21-1/2	28	58	75	89	12
CC60B*		-	-	-	-	21	24	24-1/2	21-1/2	28	63	81	96	12
CC60C*		-	-	-	-	21 <sup>(2)</sup>	24 <sup>(2)</sup>	24-1/2 <sup>(2)</sup>	23 <sup>(2)</sup>	28	66	84	100	12
CC60D*		-	-	-	-	21 <sup>(2)</sup>	24	24-1/2	23 <sup>(2)</sup>	32	71	91	108	12
CC60E*		-	-	-	-	-	24-1/2 <sup>(3)</sup>	26-1/2 <sup>(3)</sup>	21-1/2 <sup>(3)</sup>	28	79	101	120	12
CC60F*		-	-	-	-	21	24	24-1/2	21-1/2	28	60	77	91	12
CC60G*		-	-	-	-	-	24-1/2 <sup>(3)</sup>	26-1/2 <sup>(3)</sup>	21-1/2 <sup>(3)</sup>	28	81	103	122	12

Notes: 1) Do not use plastic drain pans on oil furnaces or other applications where the outlet temperature may exceed 425 F. Use high temp plastic drain pan where furnace outlet temperatures exceed 290 F.2) Metal drain pan.3) Metal drain pan. Slab rotated 90°. Refrigerant and plumbing connections still exit in front. 4) Only metal drain pans are available for 13" and 16" wide 4 row coils.

DRAIN PAN TEMPERATURE TABLE	
DRAIN PAN TYPE	TEMPERATURE LIMITS
Plastic - Standard	290°
Plastic - High Temp	425°
Metal - High Temp	600°

R51341 11/25

**HELPFUL LINKS**



**VIEW PRODUCT ONLINE**

For full warranty terms and conditions, please refer to the Warranty Information section on Aspen's official website.



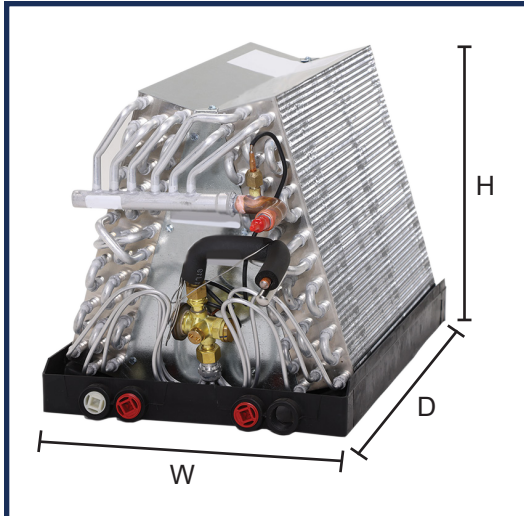
**VIEW VERSA DUAL REFRIGERANT COILS ONLINE**

Learn more about Aspen's A2L Refrigerant Technology for R32 and R454B Systems.

In keeping with its commitment to continuous improvement, Aspen Manufacturing reserves the right to make changes without notice and incurring obligation. To stay up-to-date with this product and Aspen's trusted line of coils, air handlers, and more, go to our website. © 2026 Aspen Manufacturing. All Rights Reserved

# DA SERIES

- ▶ ALUMINUM
- ▶ UNCASSED



*Representative image only.  
Some models may vary in appearance.*

## STANDARD FEATURES

- Rifled aluminum tubing, enhanced aluminum fins.
- Standard Upflow without field modification. Downflow applications require field kit, sold separately.
- Multi-stage leak testing at 500 psi pressure decay, mass spectrometer tested with Helium, then Nitrogen pressurized and factory sealed optimal system integrity and long-term reliability.
- Schrader valve provided for pressure assurance testing.
- Left/right-hand standard refrigerant and plumbing connections:
  - Liquid line: 3/8" ODS
  - **Suction line:**
    - ▶ 3/4" ODS on 1-1/2-ton to 3-ton
    - ▶ 7/8" ODS on 3-1/2-ton to 5-ton
  - **Condensate Drains:** 3/4" NPT
- Heavy duty plastic or metal drain pans.
- ETL listed for R22, R410A, R454B, and R32 refrigerants (A2L Refrigerants certified with Refrigerant Detection System (RDS)).
- A2L refrigerants require a Refrigerant Detection System (RDS) for compliance.
- AHRI certifiable with all brands of A/C and heat pump systems.

## WARRANTY

- Ten-year limited warranty with registration.

## CUSTOMIZATION OPTIONS\*

### UNIVERSAL A2L REFRIGERANT TECHNOLOGY FOR R32 & R454B SYSTEMS

#### IDEAL FOR USE WITH BOTH CASSED AND UNCASSED COILS, PLUS ALL AIR HANDLERS!

Versa Dual Refrigerant Coils are easily configurable for use with either R32 or R454B refrigerant with proper metering device. Utilizing universal Refrigerant Detection Systems (RDS) to ensure regulatory compliance.

#### CUSTOM OPTIONS:

- Refrigerant Detection System (RDS) kit factory-installed.
- Left and right refrigerant connections to match OEM(s).
- Factory or field-installed TXV available.
- Powder-painted metal pans.

#### DOWNFLOW KIT OPTIONS:

##### METAL DRAIN PANS

- 16" DWNFLWM-16
- 18" DWNFLWM-18

##### PLASTIC DRAIN PANS

DWNFLWP

R51341 11/25



In keeping with its commitment to continuous improvement, Aspen Manufacturing reserves the right to make changes without notice and incurring obligation. To stay up-to-date with this product and Aspen's trusted line of coils, air handlers, and more, go to our website. © 2026 Aspen Manufacturing. All Rights Reserved

DA SERIES: DIMENSIONAL DATA (In.)											
COIL MODEL	NOM. CAPACITY	DRAIN PAN SIZE						SHIPPING INFO.			
		STANDARD WIDTH				DEPTH	COIL ASMBLY HEIGHT	WEIGHT (LBS)			SKID QTY
		W"						# OF ROWS			
	BTU	13"	16"	19-1/2"	23"	D"	H"	2	3	4	
DA24A*	24,000	13 <sup>(4)</sup>	16 <sup>(4)</sup>	19-1/2	-	19-3/8	13-1/2	11	16	21	30
DA24B*		13 <sup>(4)</sup>	16 <sup>(4)</sup>	19-1/2	-	19-3/8	15-1/2	12	18	24	25
DA24C*		13 <sup>(4)</sup>	16 <sup>(4)</sup>	19-1/2	-	19-3/8	17-1/2	14	22	28	25
DA24D*		13 <sup>(4)</sup>	16 <sup>(4)</sup>	19-1/2	-	19-3/8	19-1/2	15	24	32	20
DA30A*	30,000	13 <sup>(4)</sup>	16 <sup>(4)</sup>	19-1/2	-	19-3/8	19-3/8	3/4	18	24	25
DA30B*		13 <sup>(4)</sup>	16 <sup>(4)</sup>	19-1/2	-	19-3/8	17-1/2	14	22	28	25
DA30C*		13 <sup>(4)</sup>	16 <sup>(4)</sup>	19-1/2	-	19-3/8	19-1/2	15	24	32	20
DA30D*		13 <sup>(4)</sup>	16 <sup>(4)</sup>	19-1/2	-	19-3/8	21-1/2	17	27	35	16
DA36A*	36,000	13 <sup>(4)</sup>	16 <sup>(4)</sup>	19-1/2	-	19-3/8	19-3/8	3/4	22	28	25
DA36B*		13 <sup>(4)</sup>	16 <sup>(4)</sup>	19-1/2	-	19-3/8	19-1/2	15	24	32	20
DA36C*		13 <sup>(4)</sup>	16 <sup>(4)</sup>	19-1/2	-	19-3/8	21-1/2	17	27	35	16
DA36D*		13 <sup>(4)</sup>	16 <sup>(4)</sup>	19-1/2	-	19-3/8	23-1/2	19	29	39	12
DA42A*	42,000	-	16 <sup>(4)</sup>	19-1/2	23	19-3/8	19-3/8	7/8	24	32	20
DA42B*		-	16 <sup>(4)</sup>	19-1/2	23	19-3/8	21-1/2	17	27	35	16
DA42C*		-	16 <sup>(4)</sup>	19-1/2	23	19-3/8	23-1/2	19	29	38	12
DA42D*		-	16 <sup>(4)</sup>	19-1/2	23	19-3/8	25-1/2	20	32	42	12
DA48A*	48,000	-	16 <sup>(4)</sup>	19-1/2	23	19-3/8	19-3/8	7/8	27	35	16
DA48B*		-	16 <sup>(4)</sup>	19-1/2	23	19-3/8	23-1/2	19	29	39	12
DA48C*		-	16 <sup>(4)</sup>	19-1/2	23	19-3/8	25-1/2	20	32	42	12
DA48D*		-	16 <sup>(4)</sup>	19-1/2	23	19-3/8	27-1/2	22	35	46	12
DA60A*	60,000	-	-	19-1/2	23	19-3/8	25-1/2	20	32	42	12
DA60B*		-	-	19-1/2	23	19-3/8	27-1/2	22	35	46	12
DA60C*		-	-	19-1/2 <sup>(2)</sup>	23 <sup>(2)</sup>	21-3/4 <sup>(2)</sup>	26-1/2	25	39	52	12
DA60D*		-	-	19-1/2 <sup>(2)</sup>	23 <sup>(2)</sup>	21-3/4 <sup>(2)</sup>	30-1/2	29	45	60	12

Notes: 1) Do not use plastic drain pans on oil furnaces or other applications where the outlet temperature may exceed 425 F. Use high temp plastic drain pan where furnace outlet temperatures exceed 290 F. 2) Metal drain pan. 3) Metal drain pan. Slab rotated 90°. Refrigerant and plumbing connections still exit in front. 4) Only metal drain pans are available for 13" and 16" wide 4 row coils.

DRAIN PAN TEMPERATURE TABLE	
DRAIN PAN TYPE	TEMPERATURE LIMITS
Plastic - Standard	290°
Plastic - High Temp	425°
Metal - High Temp	600°

R51341 11/25

HELPFUL LINKS



**VIEW PRODUCT ONLINE**

For full warranty terms and conditions, please refer to the Warranty Information section on Aspen's official website.



**VIEW VERSA DUAL REFRIGERANT COILS ONLINE**

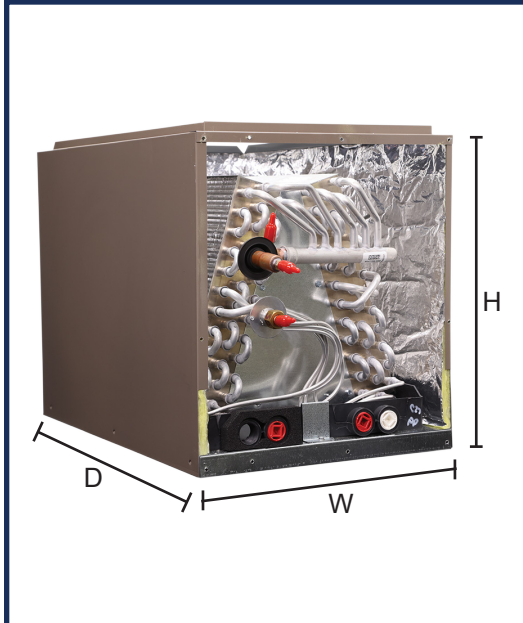
Learn more about Aspen's A2L Refrigerant Technology for R32 and R454B Systems.

In keeping with its commitment to continuous improvement, Aspen Manufacturing reserves the right to make changes without notice and incurring obligation. To stay up-to-date with this product and Aspen's trusted line of coils, air handlers, and more, go to our website. © 2026 Aspen Manufacturing. All Rights Reserved

Phone: 281.441.6500 Toll Free: 800.423.9007 Fax: 281.441.6510 Customer Service: info@aspenmfg.com Warranty Team: warranty@aspenmfg.com

# DC SERIES

- ▶ ALUMINUM
- ▶ CASED



Unit shown with service panels removed. Representative image only. Some models may vary in appearance.

## STANDARD FEATURES

- Rifled aluminum tubing, enhanced aluminum fins.
- Standard upflow without field modification. Downflow applications require field kit, sold separately.
- Multi-stage leak testing at 500 psi pressure decay, mass spectrometer tested with Helium, then Nitrogen pressurized and factory sealed optimal system integrity and long-term reliability.
- Schrader valve provided for pressure assurance testing.
- Left/right-hand standard refrigerant/plumbing connections:
  - Liquid line: 3/8" ODS
  - **Suction line:**
    - ▶ 3/4" ODS on 1-1/2-ton to 3-ton
    - ▶ 7/8" ODS on 3-1/2-ton to 5-ton
  - **Condensate Drains:** 3/4" NPT
- Heavy duty plastic or metal drain pans.
- Embossed galvanized cabinets standard. Fully insulated cabinets with faced insulation. Split access doors in front of cabinet for easy service access.
- ETL listed for R22, R410A, R454B, and R32 refrigerants (A2L Refrigerants certified with Refrigerant Detection System (RDS)).
- A2L refrigerants require a Refrigerant Detection System (RDS) for compliance.
- AHRI certifiable with all brands of A/C and heat pump systems.

## WARRANTY

- Ten-year limited warranty with registration.

## CUSTOMIZATION OPTIONS

### UNIVERSAL A2L REFRIGERANT TECHNOLOGY FOR R32 & R454B SYSTEMS

#### IDEAL FOR USE WITH BOTH CASED AND UNCASSED COILS, PLUS ALL AIR HANDLERS!

Versa Dual Refrigerant Coils are easily configurable for use with either R32 or R454B refrigerant with proper metering device. Utilizing universal Refrigerant Detection Systems (RDS) to ensure regulatory compliance.

#### CUSTOM OPTIONS:

- Refrigerant Detection System (RDS) kit factory-installed.
- OEM color matched cabinets.
- Factory or field-installed TXV available.
- Powder-painted metal pans.

#### DOWNFLOW KIT OPTIONS:

##### METAL DRAIN PANS

- 16" DWNFLWM-16
- 18" DWNFLWM-18

##### PLASTIC DRAIN PANS

DWNFLWP

R51341 11/25



R-410A • R-22 • R-454B • R-32  
**REFRIGERANT READY**  
WHEN PROPER METERING DEVICE IS USED



In keeping with its commitment to continuous improvement, Aspen Manufacturing reserves the right to make changes without notice and incurring obligation. To stay up-to-date with this product and Aspen's trusted line of coils, air handlers, and more, go to our website. © 2026 Aspen Manufacturing. All Rights Reserved

DIMENSIONAL DATA (In.)														
COIL MODEL	NOM. CAPACITY BTU	DRAIN PAN SIZE							DEPTH (D)	COIL ASSEMBLY HEIGHT (H)	SHIPPING INFO.			
		STANDARD CABINET WIDTH (W)									WEIGHT (LBS)			SKID QTY
		14"	14-1/2"	17"	17-1/2"	21"	24"	24-1/2"			2 ROW	3 ROW	4 ROW	
DC24A*	24,000	14 <sup>(4)</sup>	14-1/2 <sup>(4)</sup>	17 <sup>(4)</sup>	17-1/2 <sup>(4)</sup>	21	-	-	21-1/2	16	29	37	45	20
DC24B*		14 <sup>(4)</sup>	14-1/2 <sup>(4)</sup>	17 <sup>(4)</sup>	17-1/2 <sup>(4)</sup>	21	-	-	21-1/2	16	34	44	52	20
DC24C*		14 <sup>(4)</sup>	14-1/2 <sup>(4)</sup>	17 <sup>(4)</sup>	17-1/2 <sup>(4)</sup>	21	-	-	21-1/2	20	39	50	59	16
DC24D*		14 <sup>(4)</sup>	14-1/2 <sup>(4)</sup>	17 <sup>(4)</sup>	17-1/2 <sup>(4)</sup>	21	-	-	21-1/2	20	44	56	67	16
DC30A*	30,000	14 <sup>(4)</sup>	14-1/2 <sup>(4)</sup>	17 <sup>(4)</sup>	17-1/2 <sup>(4)</sup>	21	-	-	21-1/2	16	34	44	52	20
DC30B*		14 <sup>(4)</sup>	14-1/2 <sup>(4)</sup>	17 <sup>(4)</sup>	17-1/2 <sup>(4)</sup>	21	-	-	21-1/2	20	39	50	59	16
DC30C*		14 <sup>(4)</sup>	14-1/2 <sup>(4)</sup>	17 <sup>(4)</sup>	17-1/2 <sup>(4)</sup>	21	-	-	21-1/2	20	44	56	67	16
DC30D*		14 <sup>(4)</sup>	14-1/2 <sup>(4)</sup>	17 <sup>(4)</sup>	17-1/2 <sup>(4)</sup>	21	-	-	21-1/2	24	49	52	74	12
DC36A*	36,000	14 <sup>(4)</sup>	14-1/2 <sup>(4)</sup>	17 <sup>(4)</sup>	17-1/2 <sup>(4)</sup>	21	-	-	21-1/2	20	39	50	59	16
DC36B*		14 <sup>(4)</sup>	14-1/2 <sup>(4)</sup>	17 <sup>(4)</sup>	17-1/2 <sup>(4)</sup>	21	-	-	21-1/2	20	44	56	67	16
DC36C*		14 <sup>(4)</sup>	14-1/2 <sup>(4)</sup>	17 <sup>(4)</sup>	17-1/2 <sup>(4)</sup>	21	-	-	21-1/2	24	49	62	74	12
DC36D*		14 <sup>(4)</sup>	14-1/2 <sup>(4)</sup>	17 <sup>(4)</sup>	17-1/2 <sup>(4)</sup>	21	-	-	21-1/2	24	54	69	82	12
DC42A*	42,000	-	-	17 <sup>(4)</sup>	17-1/2 <sup>(4)</sup>	21	24	24-1/2	21-1/2	20	44	56	67	16
DC42B*		-	-	17 <sup>(4)</sup>	17-1/2 <sup>(4)</sup>	21	24	24-1/2	21-1/2	24	49	62	74	12
DC42C*		-	-	17 <sup>(4)</sup>	17-1/2 <sup>(4)</sup>	21	24	24-1/2	21-1/2	24	54	69	82	12
DC42D*		-	-	17 <sup>(4)</sup>	17-1/2 <sup>(4)</sup>	21	24	24-1/2	21-1/2	28	58	75	89	12
DC48A*	48,000	-	-	17 <sup>(4)</sup>	17-1/2 <sup>(4)</sup>	21	24	24-1/2	21-1/2	24	39	44	41	12
DC48B*		-	-	17 <sup>(4)</sup>	17-1/2 <sup>(4)</sup>	21	24	24-1/2	21-1/2	24	43	49	50	12
DC48C*		-	-	17 <sup>(4)</sup>	17-1/2 <sup>(4)</sup>	21	24	24-1/2	21-1/2	28	44	53	61	12
DC48D*		-	-	17 <sup>(4)</sup>	17-1/2 <sup>(4)</sup>	21	24	24-1/2	21-1/2	28	48	60	65	12
DC60A*	60,000	-	-	-	-	21	24	24-1/2	21-1/2	28	44	53	61	12
DC60B*		-	-	-	-	21	24	24-1/2	21-1/2	28	48	53	61	12
DC60C*		-	-	-	-	21 <sup>(2)</sup>	24 <sup>(2)</sup>	24-1/2 <sup>(2)</sup>	23 <sup>(2)</sup>	28	51	65	72	12
DC60D*		-	-	-	-	21 <sup>(2)</sup>	24 <sup>(2)</sup>	24-1/2 <sup>(2)</sup>	23 <sup>(2)</sup>	32	54	67	75	12

**Notes:** (1) Do not use plastic drain pans on oil furnaces or other applications where the outlet temperature may exceed 425 F. Use high temp plastic drain pan where furnace outlet temperatures exceed 290 F.

DRAIN PAN TEMPERATURE TABLE	
DRAIN PAN TYPE	TEMPERATURE LIMITS
Plastic - Standard	290°
Plastic - High Temp	425°
Metal - High Temp	600°

R51341 11/25

**HELPFUL LINKS**



**VIEW PRODUCT ONLINE**  
For full warranty terms and conditions, please refer to the Warranty Information section on Aspen's official website.



**VIEW VERSA DUAL REFRIGERANT COILS ONLINE**  
Learn more about Aspen's A2L Refrigerant Technology for R32 and R454B Systems.

In keeping with its commitment to continuous improvement, Aspen Manufacturing reserves the right to make changes without notice and incurring obligation. To stay up-to-date with this product and Aspen's trusted line of coils, air handlers, and more, go to our website. © 2026 Aspen Manufacturing. All Rights Reserved

Phone: 281.441.6500 Toll Free: 800.423.9007 Fax: 281.441.6510 Customer Service: info@aspennmfg.com Warranty Team: warranty@aspennmfg.com

# DC SERIES (HIGH-EFFICIENCY)

- ▶ ALUMINUM
- ▶ CASED



## STANDARD FEATURES

- Rifled aluminum tubing, enhanced aluminum fins.
- Standard upflow without field modification. Downflow applications require field kit, sold separately.
- Multi-stage leak testing at 500 psi pressure decay, mass spectrometer tested with Helium, then Nitrogen pressurized and factory sealed optimal system integrity and long-term reliability.
- Schrader valve provided for pressure assurance testing.
- Left/right-hand standard refrigerant/plumbing connections:
  - Liquid line: 3/8" ODS
  - Suction line:
    - ▶ 3/4" ODS on 1-1/2-ton to 3-ton
    - ▶ 7/8" ODS on 3-1/2-ton to 5-ton
  - Condensate Drains: 3/4" NPT
- Heavy duty plastic or metal drain pans.
- Embossed galvanized cabinets standard. Fully insulated cabinets with faced insulation. Split access doors in front of cabinet for easy service access.
- ETL listed for R22, R410A, R454B, and R32 refrigerants (A2L Refrigerants certified with Refrigerant Detection System (RDS)).
- A2L refrigerants require a Refrigerant Detection System (RDS) for compliance.
- AHRI certifiable with all brands of A/C and heat pump systems.

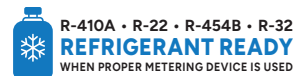
## WARRANTY

- Ten-year limited warranty with registration.

## CUSTOMIZATION OPTIONS\*

<b>UNIVERSAL A2L REFRIGERANT TECHNOLOGY FOR R32 &amp; R454B SYSTEMS</b>	
<b>IDEAL FOR USE WITH BOTH CASED AND UNCASED COILS, PLUS ALL AIR HANDLERS.</b>	
Versa Plus™ products are easily configurable for use with either R32 or R454B refrigerant with proper metering device. Utilizing universal Refrigerant Detection Systems (RDS) to ensure regulatory compliance.	
<b>CUSTOM OPTIONS:</b>	<b>DOWNFLOW KIT OPTIONS:</b>
<ul style="list-style-type: none"> <li>• Factory or field-installed TXV available.</li> <li>• High temperature plastic drain pan.</li> <li>• OEM color matched cabinets.</li> <li>• Refrigerant Detection System (RDS) kit factory-installed.</li> </ul>	<b>PLASTIC DRAIN PANS</b>
	DWNFLWP-175

R51341 11/25



In keeping with its commitment to continuous improvement, Aspen Manufacturing reserves the right to make changes without notice and incurring obligation. To stay up-to-date with this product and Aspen's trusted line of coils, air handlers, and more, go to our website. © 2026 Aspen Manufacturing. All Rights Reserved

Phone: 281.441.6500 Toll Free: 800.423.9007 Fax: 281.441.6510 Customer Service: info@aspenmfg.com Warranty Team: warranty@aspenmfg.com

**DC SERIES(HIGH-EFFICIENCY): DIMENSIONAL DATA (In.)**

COIL MODEL	NOM. CAPACITY	CABINET DIMENSIONS									SHIPPING INFO.			
		STANDARD CABINET WIDTH							DEPTH	HEIGHT	WEIGHT (LBS)			SKID QTY
	W"							# OF ROWS						
	BTU	14"	14-1/2"	17"	17-1/2"	21"	24"	24-1/2"	D"	H"	2	3	4	
DC25A*	24,000	14	14-1/2	17	17-1/2	21	-	-	21-1/2	16	25	28	33	20
DC25B*		14	14-1/2	17	17-1/2	21	-	-	21-1/2	16	28	31	37	20
DC25C*		14	14-1/2	17	17-1/2	21	-	-	21-1/2	20	32	38	42	16
DC25D*		14	14-1/2	17	17-1/2	21	-	-	21-1/2	20	36	42	48	16
DC25E*		14	14-1/2	17	17-1/2	21	-	-	21-1/2	24	41	46	49	12
DC31A*	30,000	14	14-1/2	17	17-1/2	21	-	-	21-1/2	16	28	31	37	20
DC31B*		14	14-1/2	17	17-1/2	21	-	-	21-1/2	20	32	38	42	16
DC31C*		14	14-1/2	17	17-1/2	21	-	-	21-1/2	20	36	42	48	16
DC31D*		14	14-1/2	17	17-1/2	21	-	-	21-1/2	24	41	46	49	12
DC31E*		14	14-1/2	17	17-1/2	21	-	-	21-1/2	24	45	51	53	12
DC37A*	36,000	14	14-1/2	17	17-1/2	21	-	-	21-1/2	20	32	38	42	16
DC37B*		14	14-1/2	17	17-1/2	21	-	-	21-1/2	20	36	42	48	16
DC37C*		14	14-1/2	17	17-1/2	21	-	-	21-1/2	24	41	46	49	12
DC37D*		14	14-1/2	17	17-1/2	21	-	-	21-1/2	24	45	51	53	12
DC37E*		14	14-1/2	17	17-1/2	21	-	-	21-1/2	28	46	55	63	12
DC43A*	42,000	-	-	17	17-1/2	21	24	24-1/2	21-1/2	20	36	42	48	16
DC43B*		-	-	17	17-1/2	21	24	24-1/2	21-1/2	24	41	46	49	12
DC43C*		-	-	17	17-1/2	21	24	24-1/2	21-1/2	24	45	51	53	12
DC43D*		-	-	17	17-1/2	21	24	24-1/2	21-1/2	28	46	55	63	12
DC43E*		-	-	17	17-1/2	21	24	24-1/2	21-1/2	30	50	62	67	12
DC49A*	48,000	-	-	17	17-1/2	21	24	24-1/2	21-1/2	24	41	46	49	12
DC49B*		-	-	17	17-1/2	21	24	24-1/2	21-1/2	24	45	51	53	12
DC49C*		-	-	17	17-1/2	21	24	24-1/2	21-1/2	28	46	55	63	12
DC49D*		-	-	17	17-1/2	21	24	24-1/2	21-1/2	30	50	62	67	12
DC49E*		-	-	17	17-1/2	21	24	24-1/2	21-1/2	32	56	69	77	12
DC61A*	60,000	-	-	-	-	21	24	24-1/2	21-1/2	28	46	55	63	12
DC61B*		-	-	-	-	21	24	24-1/2	21-1/2	30	50	62	67	12
DC61C*		-	-	-	-	21	24	24-1/2	21-1/2	32	53	65	72	12
DC61D*		-	-	-	-	21	24	24-1/2	21-1/2	32	56	69	77	12

Duct opening dimensions can be ascertained by subtracting 1-1/8" for top opening width/depth, 3/4" for bottom opening.

Notes: 1) Do not use plastic drain pans on oil furnaces or other applications where outlet temperatures may exceed 290°F.

**DRAIN PAN TEMPERATURE TABLE**

DRAIN PAN TYPE	TEMPERATURE LIMITS
Plastic - Standard	290°
Plastic - High Temp	425°

R51341 11/25

**HELPFUL LINKS**



**VIEW PRODUCT ONLINE**

For full warranty terms and conditions, please refer to the Warranty Information section on Aspen's official website.



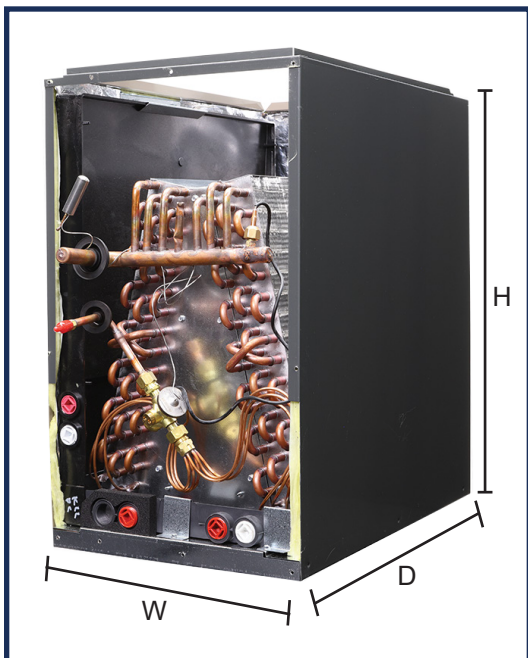
**VIEW VERSA DUAL REFRIGERANT COILS ONLINE**

Learn more about Aspen's A2L Refrigerant Technology for R32 and R454B Systems.

In keeping with its commitment to continuous improvement, Aspen Manufacturing reserves the right to make changes without notice and incurring obligation. To stay up-to-date with this product and Aspen's trusted line of coils, air handlers, and more, go to our website. © 2026 Aspen Manufacturing. All Rights Reserved

# CE SERIES

- ▶ COPPER
- ▶ CASED



Unit shown with service panels removed. Representative image only. Some models may vary in appearance.

## STANDARD FEATURES

- Rified copper tubing, enhanced aluminum fins.
- Standard Upflow without field modification. Downflow applications require field-installed downflow kit, sold separately.
- Immersion tested at 500 psi, followed by nitrogen pressurization and factory sealing to ensure optimal system integrity and long-term reliability.
- Schrader valve provided for pressure assurance testing.
- **Left/right-hand standard refrigerant/plumbing connections:**
  - Liquid line: 3/8" ODS
  - **Condensate Drains:** 3/4" NPT
  - **Suction line:**
    - ▶ 3/4" ODS on 1-1/2-ton to 3-ton
    - ▶ 7/8" ODS on 3-1/2-ton to 5-ton
- Heavy duty plastic drain pans on most models, powder coated galvanized steel drain pans standard on all.
- Fully insulated cabinets with faced insulation. Split access doors in front of cabinet for easy service access.
- ETL listed for R22, R410A, R454B, and R32 refrigerants (A2L Refrigerants certified with Refrigerant Detection System (RDS)).
- A2L refrigerants require a Refrigerant Detection System (RDS) for compliance.
- AHRI certifiable with all brands of A/C and heat pump systems.

## WARRANTY

- Ten-year limited warranty with registration.

## CUSTOMIZATION OPTIONS\*

### UNIVERSAL A2L REFRIGERANT TECHNOLOGY FOR R32 & R454B SYSTEMS

#### IDEAL FOR USE WITH BOTH CASED AND UNCASSED COILS, PLUS ALL AIR HANDLERS!

Versa Dual Refrigerant Coils are easily configurable for use with either R32 or R454B refrigerant with proper metering device. Utilizing universal Refrigerant Detection Systems (RDS) to ensure regulatory compliance.

#### CUSTOM OPTIONS:

- Refrigerant Detection System (RDS) kit factory-installed.
- Powder-painted metal pans.
- Factory or field-installed TXV available.
- Painted cabinets.

#### DOWNFLOW KIT OPTIONS:

##### METAL DRAIN PANS

- 16" DWNFLWM-16
- 18" DWNFLWM-18

##### PLASTIC DRAIN PANS

DWNFLWP

R51341 11/25



R-410A • R-22 • R-454B • R-32  
**REFRIGERANT READY**  
WHEN PROPER METERING DEVICE IS USED



In keeping with its commitment to continuous improvement, Aspen Manufacturing reserves the right to make changes without notice and incurring obligation. To stay up-to-date with this product and Aspen's trusted line of coils, air handlers, and more, go to our website. © 2026 Aspen Manufacturing. All Rights Reserved

CE SERIES: DIMENSIONAL DATA (In.)														
COIL MODEL	NOM. CAPACITY	CABINET DIMENSIONS									SHIPPING INFO.			
		STANDARD CABINET WIDTH							DEPTH	HEIGHT	WEIGHT (LBS)			MIN. ORDER QTY
		W"									# OF ROWS			
	BTU	14"	14-1/2"	17"	17-1/2"	21"	24"	24-1/2"	D"	H"	2	3	4	
CE24A*	24,000	14 <sup>(4)</sup>	14-1/2 <sup>(4)</sup>	17 <sup>(4)</sup>	17-1/2 <sup>(4)</sup>	21	-	-	21-1/2	19	31	39	46	20
CE24B*		14 <sup>(4)</sup>	14-1/2 <sup>(4)</sup>	17 <sup>(4)</sup>	17-1/2 <sup>(4)</sup>	21	-	-	21-1/2	19	36	45	54	20
CE24C*		14 <sup>(4)</sup>	14-1/2 <sup>(4)</sup>	17 <sup>(4)</sup>	17-1/2 <sup>(4)</sup>	21	-	-	21-1/2	23	41	52	61	12
CE24D*		14 <sup>(4)</sup>	14-1/2 <sup>(4)</sup>	17 <sup>(4)</sup>	17-1/2 <sup>(4)</sup>	21	-	-	21-1/2	23	46	58	69	12
CE30A*	30,000	14 <sup>(4)</sup>	14-1/2 <sup>(4)</sup>	17 <sup>(4)</sup>	17-1/2 <sup>(4)</sup>	21	-	-	21-1/2	19	36	45	54	20
CE30B*		14 <sup>(4)</sup>	14-1/2 <sup>(4)</sup>	17 <sup>(4)</sup>	17-1/2 <sup>(4)</sup>	21	-	-	21-1/2	23	41	52	51	12
CE30C*		14 <sup>(4)</sup>	14-1/2 <sup>(4)</sup>	17 <sup>(4)</sup>	17-1/2 <sup>(4)</sup>	21	-	-	21-1/2	23	46	58	59	12
CE30D*		14 <sup>(4)</sup>	14-1/2 <sup>(4)</sup>	17 <sup>(4)</sup>	17-1/2 <sup>(4)</sup>	21	-	-	21-1/2	27	52	65	77	12
CE30E*		14 <sup>(4)</sup>	14-1/2 <sup>(4)</sup>	17 <sup>(4)</sup>	17-1/2 <sup>(4)</sup>	21	-	-	21-1/2	27	54	67	79	12
CE36A*	36,000	14 <sup>(4)</sup>	14-1/2 <sup>(4)</sup>	17 <sup>(4)</sup>	17-1/2 <sup>(4)</sup>	21	-	-	21-1/2	23	41	52	61	12
CE36B*		14 <sup>(4)</sup>	14-1/2 <sup>(4)</sup>	17 <sup>(4)</sup>	17-1/2 <sup>(4)</sup>	21	-	-	21-1/2	23	46	58	69	12
CE36C*		14 <sup>(4)</sup>	14-1/2 <sup>(4)</sup>	17 <sup>(4)</sup>	17-1/2 <sup>(4)</sup>	21	-	-	21-1/2	27	52	65	77	12
CE36D*		14 <sup>(4)</sup>	14-1/2 <sup>(4)</sup>	17 <sup>(4)</sup>	17-1/2 <sup>(4)</sup>	21	-	-	21-1/2	27	57	71	84	12
CE36E*		14 <sup>(4)</sup>	14-1/2 <sup>(4)</sup>	17 <sup>(4)</sup>	17-1/2 <sup>(4)</sup>	21	-	-	21-1/2	23	41	52	61	12
CE36F*		14 <sup>(4)</sup>	14-1/2 <sup>(4)</sup>	17 <sup>(4)</sup>	17-1/2 <sup>(4)</sup>	21	-	-	21-1/2	30	67	84	100	10
CE42A*	42,000	-	-	17 <sup>(4)</sup>	17-1/2 <sup>(4)</sup>	21	24	24-1/2	21-1/2	23	46	58	69	12
CE42B*		-	-	17 <sup>(4)</sup>	17-1/2 <sup>(4)</sup>	21	24	24-1/2	21-1/2	27	52	65	77	12
CE42C*		-	-	17 <sup>(4)</sup>	17-1/2 <sup>(4)</sup>	21	24	24-1/2	21-1/2	27	57	71	84	12
CE42D*		-	-	17 <sup>(4)</sup>	17-1/2 <sup>(4)</sup>	21	24	24-1/2	21-1/2	30	62	78	92	10
CE42E*		-	-	17 <sup>(4)</sup>	17-1/2 <sup>(4)</sup>	21	24	24-1/2	21-1/2	23	46	58	69	12
CE42F*		-	-	17 <sup>(4)</sup>	17-1/2 <sup>(4)</sup>	21	24	24-1/2	21-1/2	30	62	78	92	10
CE48A*	48,000	-	-	17 <sup>(4)</sup>	17-1/2 <sup>(4)</sup>	21	24	24-1/2	21-1/2	27	52	65	77	12
CE48B*		-	-	17 <sup>(4)</sup>	17-1/2 <sup>(4)</sup>	21	24	24-1/2	21-1/2	27	57	71	84	12
CE48C*		-	-	17 <sup>(4)</sup>	17-1/2 <sup>(4)</sup>	21	24	24-1/2	21-1/2	30	62	78	92	10
CE48D*		-	-	17 <sup>(4)</sup>	17-1/2 <sup>(4)</sup>	21	24	24-1/2	21-1/2	30	67	84	100	10
CE48F*		-	-	17 <sup>(4)</sup>	17-1/2 <sup>(4)</sup>	21	24	24-1/2	21-1/2	30	64	80	94	10
CE48G*		-	-	17 <sup>(4)</sup>	17-1/2 <sup>(4)</sup>	21	24	24-1/2	21-1/2	30	69	86	102	10
CE60A*	60,000	-	-	-	-	21	24	24-1/2	21-1/2	30	62	78	92	10
CE60B*		-	-	-	-	21	24	24-1/2	21-1/2	30	67	84	100	10
CE60C*		-	-	-	-	21 <sup>(2)</sup>	24 <sup>(2)</sup>	24-1/2 <sup>(2)</sup>	23 <sup>(2)</sup>	30	70	88	104	10
CE60D*		-	-	-	-	21 <sup>(2)</sup>	24 <sup>(2)</sup>	24-1/2 <sup>(2)</sup>	23 <sup>(2)</sup>	35	76	95	112	10
CE60E*		-	-	-	-	-	24-1/2 <sup>(3)</sup>	26-1/2 <sup>(3)</sup>	21-1/2 <sup>(3)</sup>	30	-	-	-	10
CE60F*		-	-	-	-	21	24	24-1/2	21-1/2	30	64	80	94	10
CE60G*		-	-	-	-	-	24-1/2 <sup>(3)</sup>	26-1/2 <sup>(3)</sup>	21-1/2 <sup>(3)</sup>	30	-	-	-	10

Notes: (1) Do not use plastic drain pans on oil furnaces or other applications where the outlet temperature may exceed 425 F. Use high temp plastic drain pan where furnace outlet temperatures exceed 290 F. (2) Metal drain pan. (3) Metal drain pan. Slab rotated 90°. Refrigerant and plumbing connections still exit in front. (4) Metal drain pan applicable for 4 row.

DRAIN PAN TEMPERATURE TABLE	
DRAIN PAN TYPE	TEMPERATURE LIMITS
Plastic - Standard	290°
Plastic - High Temp	425°
Metal - High Temp	600°

R51341 11/25

HELPFUL LINKS



**VIEW PRODUCT ONLINE**  
For full warranty terms and conditions, please refer to the Warranty Information section on Aspen's official website.



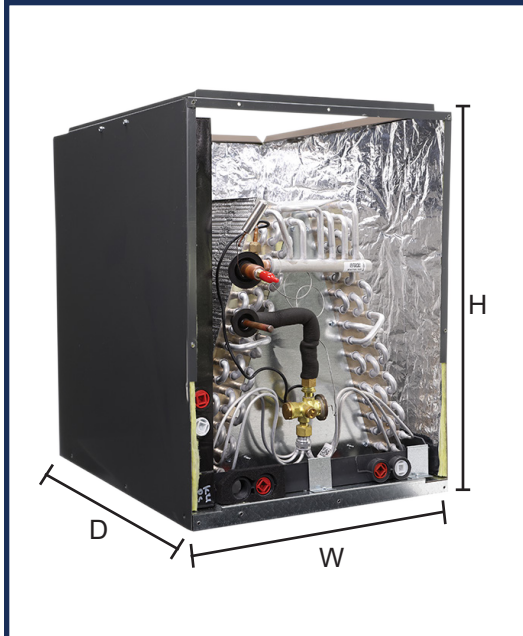
**VIEW VERSA DUAL REFRIGERANT COILS ONLINE**  
Learn more about Aspen's A2L Refrigerant Technology for R32 and R454B Systems.

In keeping with its commitment to continuous improvement, Aspen Manufacturing reserves the right to make changes without notice and incurring obligation. To stay up-to-date with this product and Aspen's trusted line of coils, air handlers, and more, go to our website. © 2026 Aspen Manufacturing. All Rights Reserved

Phone: 281.441.6500 Toll Free: 800.423.9007 Fax: 281.441.6510 Customer Service: info@aspennmfg.com Warranty Team: warranty@aspennmfg.com

# DE SERIES

▶ ALUMINUM  
▶ CASED



Unit shown with service panels removed. Representative image only. Some models may vary in appearance.

## STANDARD FEATURES

- Rified aluminum tubing, enhanced aluminum fins.
- Standard Upflow without field modification. Downflow applications require field-installed downflow kit, sold separately.
- Multi-stage leak testing at 500 psi pressure decay, mass spectrometer tested with Helium, then Nitrogen pressurized and factory sealed optimal system integrity and long-term reliability.
- Schrader valve provided for pressure assurance testing.
- Left/right-hand standard refrigerant/plumbing connections:
  - Liquid line: 3/8" ODS
  - **Condensate Drains:** 3/4" NPT
  - **Suction line:**
    - ▶ 3/4" ODS on 1-1/2-ton to 3-ton
    - ▶ 7/8" ODS on 3-1/2-ton to 5-ton
- Heavy duty plastic drain pans on most models, powder coated galvanized steel drain pans standard on all.
- Embossed galvanized cabinets standard. Fully insulated cabinets with faced insulation. Split access doors in front of cabinet for easy service access.
- ETL listed for R22, R410A, R454B, and R32 refrigerants.
- A2L refrigerants require a Refrigerant Detection System (RDS) for compliance.
- AHRI certifiable with all brands of A/C and heat pump systems.

## WARRANTY

- Ten-year limited warranty with registration.

## CUSTOMIZATION OPTIONS

### UNIVERSAL A2L REFRIGERANT TECHNOLOGY FOR R32 & R454B SYSTEMS

#### IDEAL FOR USE WITH BOTH CASED AND UNCASSED COILS, PLUS ALL AIR HANDLERS!

Versa Dual Refrigerant Coils are easily configurable for use with either R32 or R454B refrigerant with proper metering device. Utilizing universal Refrigerant Detection Systems (RDS) to ensure regulatory compliance.

#### CUSTOM OPTIONS:

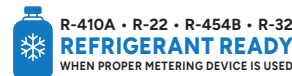
- Refrigerant Detection System (RDS) kit factory-installed.
- Factory or field-installed TXV available.
- OEM color matched cabinets.
- High-temperature plastic drain pan.
- Heavy duty plastic or metal drain pans powder coated galvanized steel horizontal drain pans standard.

#### DOWNFLOW KIT OPTIONS:

##### PLASTIC DRAIN PANS

DWNFLWP-175

R51341 11/25



In keeping with its commitment to continuous improvement, Aspen Manufacturing reserves the right to make changes without notice and incurring obligation. To stay up-to-date with this product and Aspen's trusted line of coils, air handlers, and more, go to our website. © 2026 Aspen Manufacturing. All Rights Reserved

DE SERIES: DIMENSIONAL DATA (In.)														
COIL MODEL	NOM. CAPACITY	CABINET DIMENSIONS									SHIPPING INFO.			
		STANDARD CABINET WIDTH							DEPTH	HEIGHT	WEIGHT (LBS)			MIN. ORDER QTY
		W"									# OF ROWS			
	BTU	14"	14-1/2"	17"	17-1/2"	21"	24"	24-1/2"	D"	H"	2	3	4	
DE24A*	24,000	14 <sup>(4)</sup>	14-1/2 <sup>(4)</sup>	17 <sup>(4)</sup>	17-1/2 <sup>(4)</sup>	21	-	-	21-1/2	19	23	26	31	20
DE24B*		14 <sup>(4)</sup>	14-1/2 <sup>(4)</sup>	17 <sup>(4)</sup>	17-1/2 <sup>(4)</sup>	21	-	-	21-1/2	19	26	29	35	20
DE24C*		14 <sup>(4)</sup>	14-1/2 <sup>(4)</sup>	17 <sup>(4)</sup>	17-1/2 <sup>(4)</sup>	21	-	-	21-1/2	23	30	36	40	16
DE24D*		14 <sup>(4)</sup>	14-1/2 <sup>(4)</sup>	17 <sup>(4)</sup>	17-1/2 <sup>(4)</sup>	21	-	-	21-1/2	23	34	40	46	16
DE30A*	30,000	14 <sup>(4)</sup>	14-1/2 <sup>(4)</sup>	17 <sup>(4)</sup>	17-1/2 <sup>(4)</sup>	21	-	-	21-1/2	19	26	29	35	20
DE30B*		14 <sup>(4)</sup>	14-1/2 <sup>(4)</sup>	17 <sup>(4)</sup>	17-1/2 <sup>(4)</sup>	21	-	-	21-1/2	23	30	36	40	16
DE30C*		14 <sup>(4)</sup>	14-1/2 <sup>(4)</sup>	17 <sup>(4)</sup>	17-1/2 <sup>(4)</sup>	21	-	-	21-1/2	23	34	40	46	16
DE30D*		14 <sup>(4)</sup>	14-1/2 <sup>(4)</sup>	17 <sup>(4)</sup>	17-1/2 <sup>(4)</sup>	21	-	-	21-1/2	27	39	44	41	12
DE36A*	36,000	14 <sup>(4)</sup>	14-1/2 <sup>(4)</sup>	17 <sup>(4)</sup>	17-1/2 <sup>(4)</sup>	21	-	-	21-1/2	23	30	36	40	16
DE36B*		14 <sup>(4)</sup>	14-1/2 <sup>(4)</sup>	17 <sup>(4)</sup>	17-1/2 <sup>(4)</sup>	21	-	-	21-1/2	23	34	40	46	16
DE36C*		14 <sup>(4)</sup>	14-1/2 <sup>(4)</sup>	17 <sup>(4)</sup>	17-1/2 <sup>(4)</sup>	21	-	-	21-1/2	27	39	44	41	12
DE36D*		14 <sup>(4)</sup>	14-1/2 <sup>(4)</sup>	17 <sup>(4)</sup>	17-1/2 <sup>(4)</sup>	21	-	-	21-1/2	27	43	49	50	12
DE42A*	42,000	-	-	17 <sup>(4)</sup>	17-1/2 <sup>(4)</sup>	21	24	24-1/2	21-1/2	23	34	40	46	16
DE42B*		-	-	17 <sup>(4)</sup>	17-1/2 <sup>(4)</sup>	21	24	24-1/2	21-1/2	27	39	44	41	12
DE42C*		-	-	17 <sup>(4)</sup>	17-1/2 <sup>(4)</sup>	21	24	24-1/2	21-1/2	27	43	49	50	12
DE42D*		-	-	17 <sup>(4)</sup>	17-1/2 <sup>(4)</sup>	21	24	24-1/2	21-1/2	30	44	53	61	12
DE48A*	48,000	-	-	17 <sup>(4)</sup>	17-1/2 <sup>(4)</sup>	21	24	24-1/2	21-1/2	27	39	44	41	12
DE48B*		-	-	17 <sup>(4)</sup>	17-1/2 <sup>(4)</sup>	21	24	24-1/2	21-1/2	27	43	49	50	12
DE48C*		-	-	17 <sup>(4)</sup>	17-1/2 <sup>(4)</sup>	21	24	24-1/2	21-1/2	30	44	53	61	12
DE48D*		-	-	17 <sup>(4)</sup>	17-1/2 <sup>(4)</sup>	21	24	24-1/2	21-1/2	30	48	60	65	12
DE60A*	60,000	-	-	-	-	21	24	24-1/2	21-1/2	30	44	53	61	12
DE60B*		-	-	-	-	21	24	24-1/2	21-1/2	30	48	53	61	12
DE60C*		-	-	-	-	21 <sup>(2)</sup>	24 <sup>(2)</sup>	24-1/2 <sup>(2)</sup>	23 <sup>(2)</sup>	30	51	65	72	12
DE60D*		-	-	-	-	21 <sup>(2)</sup>	24 <sup>(2)</sup>	24-1/2 <sup>(2)</sup>	23 <sup>(2)</sup>	35	54	67	75	12

Notes: (1) Do not use plastic drain pans on oil furnaces or other applications where the outlet temperature may exceed 425 F. Use high temp plastic drain pan where furnace outlet temperatures exceed 290 F.

DRAIN PAN TEMPERATURE TABLE	
DRAIN PAN TYPE	TEMPERATURE LIMITS
Plastic - Standard	290°
Plastic - High Temp	425°
Metal - High Temp	600°

R51341 11/25

HELPFUL LINKS



**VIEW PRODUCT ONLINE**  
For full warranty terms and conditions, please refer to the Warranty Information section on Aspen's official website.



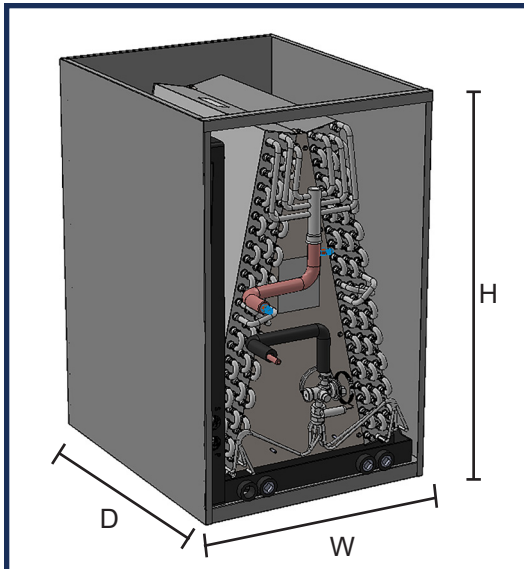
**VIEW VERSA DUAL REFRIGERANT COILS ONLINE**  
Learn more about Aspen's A2L Refrigerant Technology for R32 and R454B Systems.

In keeping with its commitment to continuous improvement, Aspen Manufacturing reserves the right to make changes without notice and incurring obligation. To stay up-to-date with this product and Aspen's trusted line of coils, air handlers, and more, go to our website. © 2026 Aspen Manufacturing. All Rights Reserved

Phone: 281.441.6500 Toll Free: 800.423.9007 Fax: 281.441.6510 Customer Service: info@aspennmfg.com Warranty Team: warranty@aspennmfg.com

# DE SERIES (HIGH-EFFICENCY)

- ▶ ALUMINUM
- ▶ CASED



Unit shown with service panels removed. Representative image only. Some models may vary in appearance.

### STANDARD FEATURES

- Rifled aluminum tubing, enhanced aluminum fins.
- Standard Upflow without field modification. Downflow applications require field-installed downflow kit, sold separately.
- Multi-stage leak testing at 500 psi pressure decay, mass spectrometer tested with Helium, then Nitrogen pressurized and factory sealed optimal system integrity and long-term reliability.
- Schrader valve provided for pressure assurance testing.
- Left/right-hand standard refrigerant and plumbing connections:
  - Liquid line: 3/8" ODS
  - **Condensate Drains:** 3/4" NPT
  - **Suction line:**
    - ▶ 3/4" ODS on 1-1/2-ton to 3-ton
    - ▶ 7/8" ODS on 3-1/2-ton to 5-ton
- Heavy duty plastic drain pans standard.
- Embossed galvanized cabinets standard. Fully insulated cabinets with faced insulation. Split access doors in front of cabinet for easy service access.
- ETL listed for R22, R410A, R454B, and R32 refrigerants (A2L Refrigerants certified with Refrigerant Detection System (RDS)).
- A2L refrigerants require a Refrigerant Detection System (RDS) for compliance.
- AHRI certifiable with all brands of A/C and heat pump systems.

### WARRANTY

- Ten-year limited warranty with registration.

### CUSTOMIZATION OPTIONS

#### UNIVERSAL A2L REFRIGERANT TECHNOLOGY FOR R32 & R454B SYSTEMS

#### IDEAL FOR USE WITH BOTH CASED AND UNCASSED COILS, PLUS ALL AIR HANDLERS!

Versa Dual Refrigerant Coils are easily configurable for use with either R32 or R454B refrigerant with proper metering device. Utilizing universal Refrigerant Detection Systems (RDS) to ensure regulatory compliance.

#### CUSTOM OPTIONS:

- Refrigerant Detection System (RDS) kit factory-installed.
- Factory or field-installed TXV available.
- OEM color matched cabinets.
- High-temperature plastic drain pan.

#### DOWNFLOW KIT OPTIONS:

#### PLASTIC DRAIN PANS

DWNFLWP-175

R51341 11/25



In keeping with its commitment to continuous improvement, Aspen Manufacturing reserves the right to make changes without notice and incurring obligation. To stay up-to-date with this product and Aspen's trusted line of coils, air handlers, and more, go to our website. © 2026 Aspen Manufacturing. All Rights Reserved

**DE SERIES (HIGH-EFFICENCY): DIMENSIONAL DATA (In.)**

COIL MODEL	NOM. CAPACITY	CABINET DIMENSIONS									SHIPPING INFO.			
		STANDARD CABINET WIDTH							DEPTH	HEIGHT	WEIGHT (LBS)			MIN. ORDER QTY
		W"									# OF ROWS			
		BTU	14"	14-1/2"	17"	17-1/2"	21"	24"	24-1/2"	D"	H"	2	3	
DE25A*	24,000	14	14-1/2	17	17-1/2	21	-	-	21-1/2	19	35	38	43	20
DE25B*		14	14-1/2	17	17-1/2	21	-	-	21-1/2	19	38	41	47	20
DE25C*		14	14-1/2	17	17-1/2	21	-	-	21-1/2	23	42	48	52	16
DE25D*		14	14-1/2	17	17-1/2	21	-	-	21-1/2	23	46	52	58	16
DE25E*		14	14-1/2	17	17-1/2	21	-	-	21-1/2	27	51	56	59	12
DE31A*	30,000	14	14-1/2	17	17-1/2	21	-	-	21-1/2	19	39	41	47	20
DE31B*		14	14-1/2	17	17-1/2	21	-	-	21-1/2	23	42	48	52	16
DE31C*		14	14-1/2	17	17-1/2	21	-	-	21-1/2	23	46	52	58	16
DE31D*		14	14-1/2	17	17-1/2	21	-	-	21-1/2	27	51	56	59	12
DE31E*		14	14-1/2	17	17-1/2	21	-	-	21-1/2	27	55	61	63	12
DE37A*	36,000	14	14-1/2	17	17-1/2	21	-	-	21-1/2	23	42	48	52	16
DE37B*		14	14-1/2	17	17-1/2	21	-	-	21-1/2	23	46	52	58	16
DE37C*		14	14-1/2	17	17-1/2	21	-	-	21-1/2	27	51	56	59	12
DE37D*		14	14-1/2	17	17-1/2	21	-	-	21-1/2	27	55	61	63	12
DE37E*		14	14-1/2	17	17-1/2	21	-	-	21-1/2	30	56	65	73	12
DE43A*	42,000	-	-	17	17-1/2	21	24	24-1/2	21-1/2	23	46	52	58	16
DE43B*		-	-	17	17-1/2	21	24	24-1/2	21-1/2	27	51	56	59	12
DE43C*		-	-	17	17-1/2	21	24	24-1/2	21-1/2	27	55	61	63	12
DE43D*		-	-	17	17-1/2	21	24	24-1/2	21-1/2	30	56	65	73	12
DE43E*		-	-	17	17-1/2	21	24	24-1/2	21-1/2	30	60	72	77	12
DE49A*	48,000	-	-	17	17-1/2	21	24	24-1/2	21-1/2	27	51	56	59	12
DE49B*		-	-	17	17-1/2	21	24	24-1/2	21-1/2	27	55	61	63	12
DE49C*		-	-	17	17-1/2	21	24	24-1/2	21-1/2	30	56	65	73	12
DE49D*		-	-	17	17-1/2	21	24	24-1/2	21-1/2	30	60	72	77	12
DE49E*		-	-	17	17-1/2	21	24	24-1/2	21-1/2	35	66	79	87	12
DE61A*	60,000	-	-	-	-	21	24	24-1/2	21-1/2	30	56	65	73	12
DE61B*		-	-	-	-	21	24	24-1/2	21-1/2	30	63	72	77	12
DE61C*		-	-	-	-	21	24	24-1/2	21-1/2	35	66	75	82	12
DE61D*		-	-	-	-	21	24	24-1/2	21-1/2	35	66	79	87	12

Notes: (1) Do not use plastic drain pans on oil furnaces or other applications where the outlet temperature may exceed 425 F. Use high temp plastic drain pan where furnace outlet temperatures exceed 290 F.

**DRAIN PAN TEMPERATURE TABLE**

DRAIN PAN TYPE	TEMPERATURE LIMITS
Plastic - Standard	290°
Plastic - High Temp	425°

R51341 11/25

**HELPFUL LINKS**



**VIEW PRODUCT ONLINE**

For full warranty terms and conditions, please refer to the Warranty Information section on Aspen's official website.



**VIEW VERSA DUAL REFRIGERANT COILS ONLINE**

Learn more about Aspen's A2L Refrigerant Technology for R32 and R454B Systems.

In keeping with its commitment to continuous improvement, Aspen Manufacturing reserves the right to make changes without notice and incurring obligation. To stay up-to-date with this product and Aspen's trusted line of coils, air handlers, and more, go to our website. © 2026 Aspen Manufacturing. All Rights Reserved

# CP SERIES

- ▶ COPPER
- ▶ PLENUM



Representative image only. Some models may vary in appearance.

## STANDARD FEATURES

- Riffed copper tubing, enhanced aluminum fins.
- Fully insulated cabinet with plenum sides and back constructed of foil-backed, faced, one-inch thick, fiberglass duct-board.
- Immersion tested at 500 psi, followed by nitrogen pressurization and factory sealing to ensure optimal system integrity and long-term reliability.
- Refrigerant lines exit from top of the coil with Schrader valve for pressure assurance testing. Refrigerant and plumbing connections:
  - Liquid line: 3/8" ODS
  - **Suction line:**
    - ▶ 3/4" ODS on 1-1/2-ton to 3-ton
    - ▶ 7/8" ODS on 3-1/2-ton to 5-ton
  - **Drain connections:**
  - **Condensate Drains:** 3/4" NPT
- Secondary metal drain pan included with 1" spacing around the cabinet for turnkey installation.
- Heavy duty polycarbonate drain pans.
- Three-piece service door on top for easy service access.
- Fully insulated cabinets with faced insulation.
- Secondary metal drain pan included with one inch spacing around the cabinet for turnkey installation.
- ETL listed for R22, R410A, R454B, and R32 refrigerants.
- A2L refrigerants require a Refrigerant Detection System (RDS) for compliance.
- AHRI certifiable with all brands of A/C and heat pump systems.

## WARRANTY

- Ten-year limited warranty with registration.

## CUSTOMIZATION OPTIONS

### UNIVERSAL A2L REFRIGERANT TECHNOLOGY FOR R32 & R454B SYSTEMS

#### IDEAL FOR USE WITH BOTH CASED AND UNCASD COILS, PLUS ALL AIR HANDLERS!

Versa Dual Refrigerant Coils are easily configurable for use with either R32 or R454B refrigerant with proper metering device. Utilizing universal Refrigerant Detection Systems (RDS) to ensure regulatory compliance.

#### CUSTOM OPTIONS:

- Refrigerant Detection System (RDS) kit factory-installed.
  - Factory or field-installed TXV available.

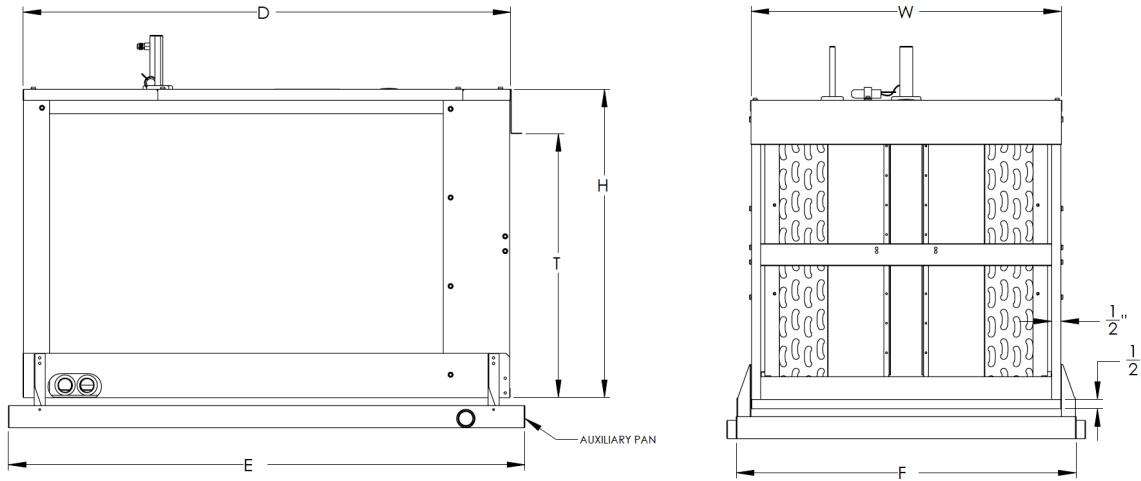
R51341 11/25



In keeping with its commitment to continuous improvement, Aspen Manufacturing reserves the right to make changes without notice and incurring obligation. To stay up-to-date with this product and Aspen's trusted line of coils, air handlers, and more, go to our website. © 2026 Aspen Manufacturing. All Rights Reserved



**FIGURE 1**



**CP SERIES: DIMENSIONAL DATA (In.) - FIGURE 1**

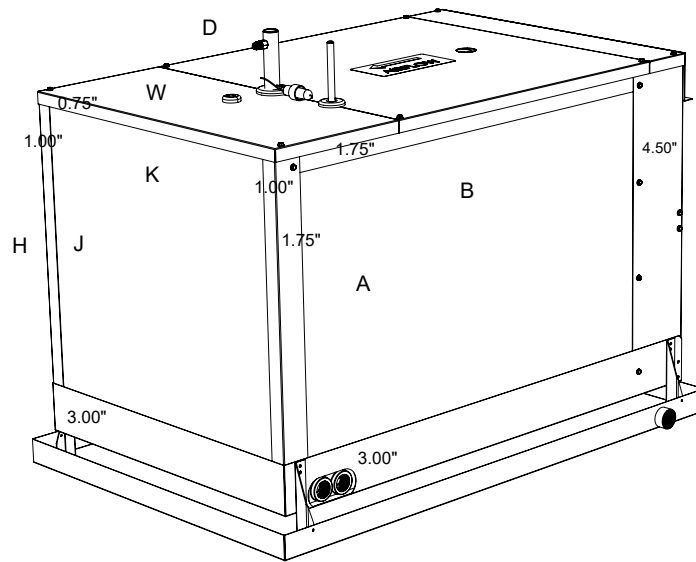
COIL MODEL	NOM. CAPACITY BTU	DIMENSIONS						SHIPPING INFO.			
		CABINET			TRANSITION HEIGHT AVAILABLE OPTIONS T"	RETURN OPENING HXW	AUX PAN		WEIGHT (LBS)		SKID QTY
		WIDTH W"	DEPTH D"	MAX. HEIGHT H"			DEPTH E"	WIDTH F"	# OF ROWS		
									3	4	
CP25A*	25,000	21	28	14-1/2	14	13-1/2X20	30	23	37	41	16
CP25B*		21	28	15	14/14-1/2	14X20	30	23	39	44	16
CP25E*		21	28	17-1/2	14/14-1/2	16-1/2X20	30	23	52	59	16
CP31A*	31,000	21	28	15	14/14-1/2	14X20	30	23	39	44	16
CP31E*		21	28	17-1/2	14/14-1/2	16-1/2X20	30	23	52	59	16
CP37A*	37,000	21	28	15	14/14-1/2	14X20	30	23	39	44	16
CP37B*		21	28	17-1/2	14/14-1/2	16-1/2X20	30	23	49	55	16
CP37C*		21	28	17-1/2	14/14-1/2	16-1/2X20	30	23	43	49	16
CP37D*		21	33	21	14/14-1/2/17-1/2	20X20	35	23	68	77	6
CP37E*		21	28	21	14/14-1/2/17-1/2	20X20	30	23	58	67	12
CP37F*		21	28	17-1/2	14/14-1/2	16-1/2X20	30	23	52	59	16
CP37G*		21	40	21	14/14-1/2/17-1/2	20X20	42	23	98	105	6
CP43C*	43,000	21	28	21	14/14-1/2/17-1/2	16-1/2X20	30	23	60	69	12
CP43D*		21	33	21	14/14-1/2/17-1/2	16-1/2X20	35	23	67	76	6
CP43G*		21	40	21	14/14-1/2/17-1/2	20X20	42	23	99	108	6
CP49A*	49,000	21	28	17-1/2	14/14-1/2	16-1/2X20	30	23	51	58	16
CP49B*		21	28	21	14/14-1/2/17-1/2	20X20	30	23	58	66	12
CP49C*		21	28	21	14/14-1/2/17-1/2	20X20	30	23	58	67	12
CP49D*		21	33	21	14/14-1/2/17-1/2	20X20	35	23	68	77	6
CP49G*		21	40	17-1/2	14/14-1/2	16-1/2X20	42	23	85	92	8
CP49H*		21	40	21	14/14-1/2/17-1/2	20X20	42	23	98	107	6
CP61A*	61,000	21	28	21	14/14-1/2/17-1/2	20X20	30	23	60	69	6
CP61B*		21	33	21	14/14-1/2/17-1/2	20X20	35	23	68	77	6
CP61C*		21	33	24-1/2	21/24	23-1/2X20	35	23	79	92	6
CP61D*		21	33	25	21/24/24-1/2	24X20	35	23	81	93	6
CP61E*		21	33	25	21/24/24-1/2	24X20	35	23	83	97	6
CP61F*		21	33	24-1/2	21/24	23-1/2X20	35	23	69	78	6
CP61G*		21	40	21	14/14-1/2/17-1/2	20X20	42	23	101	107	6
CP61H*		21	40	24-1/2	21/24	23-1/2X20	42	23	102	111	4

R51341 11/25

In keeping with its commitment to continuous improvement, Aspen Manufacturing reserves the right to make changes without notice and incurring obligation. To stay up-to-date with this product and Aspen's trusted line of coils, air handlers, and more, go to our website. © 2026 Aspen Manufacturing. All Rights Reserved

Phone: 281.441.6500 Toll Free: 800.423.9007 Fax: 281.441.6510 Customer Service: info@aspennmfg.com Warranty Team: warranty@aspennmfg.com

**FIGURE 2**



**CP SERIES: CABINET DIMENSIONAL DATA - FIGURE 2**

CABINET DIMENSIONS			PLENUM BOARD DIMENSIONS				DUCTING SIZE		
WIDTH	DEPTH	HEIGHT	SIDE VIEW		FRONT VIEW		8" DUCT FITS?	12" DUCT FITS?	14" DUCT FITS?
			A	B	J	K			
W"	D"	H"	[H - 1.75"-3"]	[D - 1.75"-4.5"]	[H - 0.75"-3"]	[W - 1"-1"]			
21	28	14-1/2	9-3/4	21-3/4	10-3/4	19	YES	NO	NO
21	28	17-1/2	12-3/4	21-3/4	13-3/4	19	YES	YES	NO
21	28	21	16-1/4	21-3/4	17-1/4	19	YES	YES	YES
21	28	15	10-1/4	21-3/4	11-1/4	19	YES	YES	YES
21	33	17-1/2	12-3/4	26-3/4	13-3/4	19	YES	YES	NO
21	33	21	16-1/4	26-3/4	17-1/4	19	YES	YES	YES
21	33	24-1/2	19-3/4	26-3/4	20-3/4	19	YES	YES	YES
21	33	25	20-1/4	26-3/4	21-1/4	19	YES	YES	YES
21	40	17-1/2	12-3/4	33-3/4	13-3/4	19	YES	YES	NO
21	40	21	16-1/4	33-3/4	17-1/4	19	YES	YES	YES
21	40	24-1/2	19-3/4	33-3/4	20-3/4	19	YES	YES	YES

**DRAIN PAN TEMPERATURE TABLE**

DRAIN PAN TYPE	TEMPERATURE LIMITS
Plastic - Standard	290°

R51341 11/25

**HELPFUL LINKS**



**VIEW PRODUCT ONLINE**

For full warranty terms and conditions, please refer to the Warranty Information section on Aspen's official website.



**VIEW VERSA DUAL REFRIGERANT COILS ONLINE**

Learn more about Aspen's A2L Refrigerant Technology for R32 and R454B Systems.

In keeping with its commitment to continuous improvement, Aspen Manufacturing reserves the right to make changes without notice and incurring obligation. To stay up-to-date with this product and Aspen's trusted line of coils, air handlers, and more, go to our website. © 2026 Aspen Manufacturing. All Rights Reserved

# CX SERIES ▶ COPPER

EVAPORATOR COILS  
DEDICATED HORIZONTAL



Unit shown with service panels removed. Representative image only. Some models may vary in appearance.

## STANDARD FEATURES

- Riffled copper tubing, enhanced aluminum fins.
- Immersion tested at 500 psi, followed by nitrogen pressurization and factory sealing to ensure optimal system integrity and long-term reliability.
- Refrigerant lines exit top of coil. Schrader valve on suction line for pressure assurance testing. Refrigerant and plumbing connections:
  - All Drain Pan Connections: 3/4" NPT
- Heavy duty polycarbonate drain pans.
- Inlet and outlet opening dimensions are identical (without end caps).
- Three-piece service door on top for easy service access.
- Fully insulated cabinets with faced insulation.
- ETL listed for R22, R410A, R454B, and R32 refrigerants.
- A2L refrigerants require a Refrigerant Detection System (RDS) for compliance.
- AHRI certifiable with all brands of A/C and heat pump systems.

## WARRANTY

- Ten-year limited warranty with registration.

## CUSTOMIZATION OPTIONS\*

### UNIVERSAL A2L REFRIGERANT TECHNOLOGY FOR R32 & R454B SYSTEMS

#### IDEAL FOR USE WITH BOTH CASED AND UNCASSED COILS, PLUS ALL AIR HANDLERS!

Versa Dual Refrigerant Coils are easily configurable for use with either R32 or R454B refrigerant with proper metering device. Utilizing universal Refrigerant Detection Systems (RDS) to ensure regulatory compliance.

#### CUSTOM OPTIONS:

- Refrigerant Detection System (RDS) kit factory-installed.
  - Factory or field-installed TXV available.

R51341 11/25



R-410A • R-22 • R-454B • R-32  
REFRIGERANT READY  
WHEN PROPER METERING DEVICE IS USED

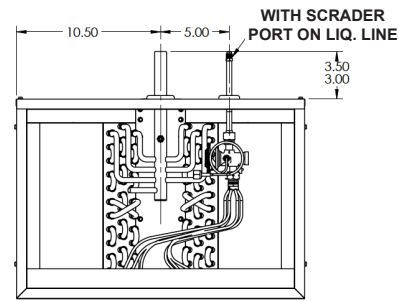
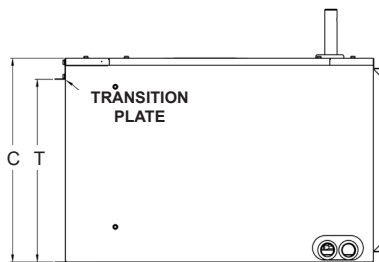
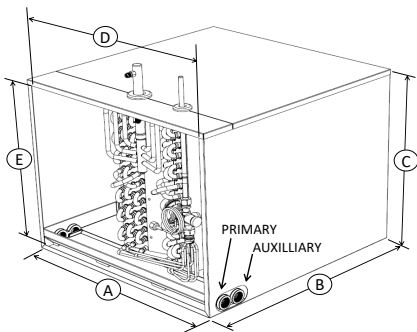
**10 YEAR LIMITED WARRANTY\***

In keeping with its commitment to continuous improvement, Aspen Manufacturing reserves the right to make changes without notice and incurring obligation. To stay up-to-date with this product and Aspen's trusted line of coils, air handlers, and more, go to our website. © 2026 Aspen Manufacturing. All Rights Reserved

Phone: 281.441.6500 Toll Free: 800.423.9007 Fax: 281.441.6510 Customer Service: info@aspennmfg.com Warranty Team: warranty@aspennmfg.com



WWW.ASPENMFG.COM 31



**CX CONFIGURATION**  
(REFERENCE ONLY)

**CX SERIES: DIMENSIONAL DATA (In.)**

COIL MODEL	NOM. CAPACITY BTU	DIMENSIONS						SHIPPING INFO.			
		CABINET				OPENING		WEIGHT (LBS)			SKID QTY
		WIDTH	DEPTH	MAX. HEIGHT	TRANSITION HEIGHT AVAILABLE OPTIONS	WIDTH	HEIGHT	# OF ROWS			
		A"	B"	C"	T"	D"	E"	2	3	4	
CX24A*	24,000	21	22	14-1/2	14 / 14-1/2	20	13-1/2	-	35	39	16
CX24B*		21	22	15	14 / 14-1/2 / 15	20	14	-	37	42	16
CX24E*		21	27	17-1/2	14 / 14-1/2 / 17-1/2	20	16-1/2	43	50	57	16
CX30A*	30,000	21	22	15	14 / 14-1/2 / 15	20	14	-	37	42	16
CX30E*		21	27	17-1/2	14 / 14-1/2 / 17-1/2	20	16-1/2	-	50	57	16
CX36A*	36,000	21	22	15	14 / 14-1/2 / 15	20	14	-	37	42	16
CX36B*		21	27	17-1/2	14 / 14-1/2 / 17-1/2	20	16-1/2	-	47	53	16
CX36C*		21	22	17-1/2	14 / 14-1/2 / 17-1/2	20	16-1/2	-	41	47	16
CX36D*		21	32	21	14 / 14-1/2 / 17-1/2 / 21	20	20	-	66	75	6
CX36E*		21	27	21	14 / 14-1/2 / 17-1/2 / 21	20	20	-	56	65	12
CX36F*		21	27	17-1/2	14 / 14-1/2 / 17-1/2	20	16-1/2	-	47	53	16
CX42C*	42,000	21	27	21	14 / 14-1/2 / 17-1/2 / 21	20	20	-	58	67	12
CX42D*		21	32	21	14 / 14-1/2 / 17-1/2 / 21	20	20	-	65	74	6
CX48A*	48,000	21	27	17-1/2	14 / 14-1/2 / 17-1/2	20	16-1/2	-	49	56	16
CX48B*		21	27	21	14 / 14-1/2 / 17-1/2 / 21	20	20	-	56	64	12
CX48C*		21	27	21	14 / 14-1/2 / 17-1/2 / 21	20	20	-	56	65	12
CX48D*		21	32	21	14 / 14-1/2 / 17-1/2 / 21	20	20	-	66	75	6
CX60A*	60,000	21	27	21	14 / 14-1/2 / 17-1/2 / 21	20	20	-	58	67	6
CX60B*		21	32	21	14 / 14-1/2 / 17-1/2 / 21	20	20	-	66	75	6
CX60C*		21	32	24-1/2	21 / 24 / 24-1/2	20	23-1/2	-	77	90	6
CX60D*		21	32	25	21 / 24 / 24-1/2 / 25	20	24	-	79	91	6
CX60E*		21	32	25	21 / 24 / 24-1/2 / 25	20	24	-	82	95	6
CX60F*		21	32	24-1/2	21 / 24 / 24-1/2	20	23-1/2	-	69	79	6

**Note:** 1) Do not use plastic drain pans on oil furnaces or other applications where the outlet temperature may exceed 425 F. Use high temp plastic drain pan where furnace outlet temperatures exceed 290 F.

**DRAIN PAN TEMPERATURE TABLE**

DRAIN PAN TYPE	TEMPERATURE LIMITS
Plastic - Standard	290°

R51341 11/25

**HELPFUL LINKS**



**VIEW PRODUCT ONLINE**

For full warranty terms and conditions, please refer to the Warranty Information section on Aspen's official website.



**VIEW VERSA DUAL REFRIGERANT COILS ONLINE**

Learn more about Aspen's A2L Refrigerant Technology for R32 and R454B Systems.

In keeping with its commitment to continuous improvement, Aspen Manufacturing reserves the right to make changes without notice and incurring obligation. To stay up-to-date with this product and Aspen's trusted line of coils, air handlers, and more, go to our website. © 2026 Aspen Manufacturing. All Rights Reserved

# DP SERIES

▶ ALUMINUM  
▶ PLENUM

DEDICATED HORIZONTAL  
**EVAPORATOR COILS**



*Representative image only. Some models may vary in appearance.*

## STANDARD FEATURES

- Rifled aluminum tubing, enhanced aluminum fins.
- Fully insulated cabinet with plenum sides and back constructed of foil-backed, faced, one-inch thick, fiberglass duct-board.
- Multi-stage leak testing at 500 psi pressure decay, mass spectrometer tested with Helium, then Nitrogen pressurized and factory sealed optimal system integrity and long-term reliability.
- Refrigerant lines exit from top of the coil with Schrader valve for pressure assurance testing. Refrigerant and plumbing connections:
  - Liquid line: 3/8" ODS
  - **Suction line:**
    - ▶ 3/4" ODS on 1-1/2-ton to 3-ton
    - ▶ 7/8" ODS on 3-1/2-ton to 5-ton
  - **Drain connections:**
    - ▶ Condensate Drains: 3/4" NPT
  - **Secondary metal drain pan** included with 1" spacing around the cabinet for turnkey installation.
- Primary heavy duty polycarbonate drain pan.
- Three-piece service door on top for easy service access.
- Fully insulated cabinets with faced insulation.
- ETL listed for R22, R410A, R454B, and R32 refrigerants (A2L Refrigerants certified with Refrigerant Detection System (RDS)).
- A2L refrigerants require a Refrigerant Detection System (RDS) for compliance.
- AHRI certifiable with all brands of A/C and heat pump systems.

## WARRANTY

- Ten-year limited warranty with registration.

## CUSTOMIZATION OPTIONS\*

### UNIVERSAL A2L REFRIGERANT TECHNOLOGY FOR R32 & R454B SYSTEMS

#### IDEAL FOR USE WITH BOTH CASED AND UNCASSED COILS, PLUS ALL AIR HANDLERS!

Versa Dual Refrigerant Coils are easily configurable for use with either R32 or R454B refrigerant with proper metering device. Utilizing universal Refrigerant Detection Systems (RDS) to ensure regulatory compliance.

#### CUSTOM OPTIONS:

- Refrigerant Detection System (RDS) kit factory-installed.
- Factory or field-installed TXV available.

R51341 11/25

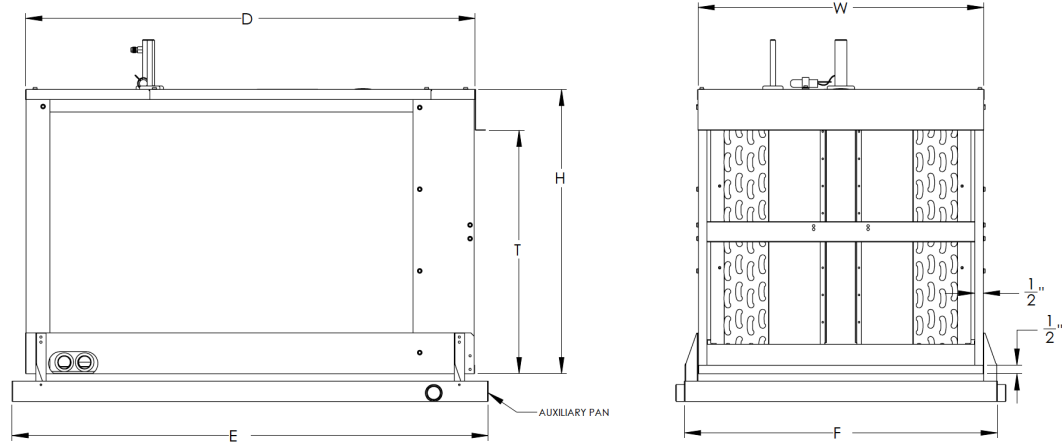


In keeping with its commitment to continuous improvement, Aspen Manufacturing reserves the right to make changes without notice and incurring obligation. To stay up-to-date with this product and Aspen's trusted line of coils, air handlers, and more, go to our website. © 2026 Aspen Manufacturing. All Rights Reserved

Phone: 281.441.6500 Toll Free: 800.423.9007 Fax: 281.441.6510 Customer Service: info@aspenmfg.com Warranty Team: warranty@aspenmfg.com



**FIGURE 1**



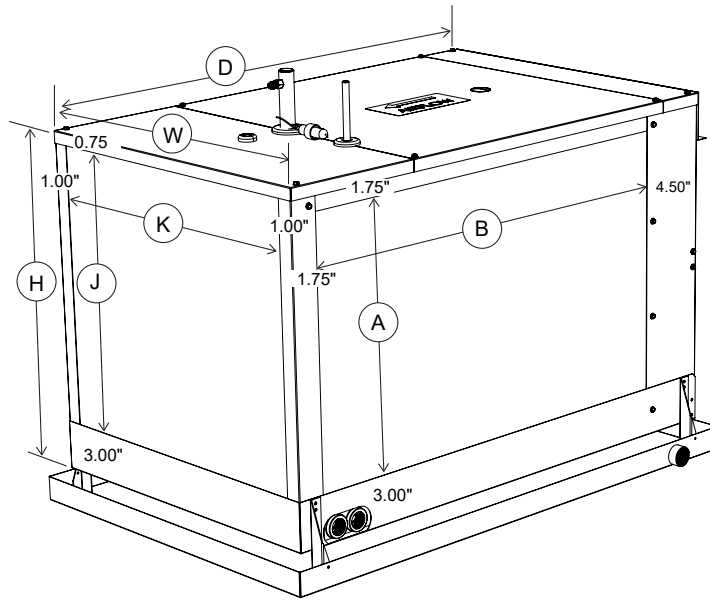
**DP SERIES: DIMENSIONAL DATA (In.) - FIGURE 1**

COIL MODEL	NOM. CAPACITY	DIMENSIONS							SHIPPING INFO.		
		CABINET			TRANSITION HEIGHT AVAILABLE OPTIONS	RETURN OPENING	AUX PAN		WEIGHT (LBS)		SKID QTY
		WIDTH	DEPTH	MAX. HEIGHT			DEPTH	WIDTH	# OF ROWS		
		BTU	W"	D"	H"	T"	HXW	E"	F"	3	
DP25A*	25,000	21	28	14-1/2	14	13-1/2X20	30	23	25	29	16
DP25B*		21	28	15	14/14-1/2	14X20	30	23	27	32	16
DP25E*		21	28	17-1/2	14/14-1/2	16-1/2X20	30	23	40	47	16
DP31A*	31,000	21	28	15	14/14-1/2	14X20	30	23	27	32	16
DP31E*		21	28	17-1/2	14/14-1/2	16-1/2X20	30	23	40	47	16
DP37A*	37,000	21	28	15	14/14-1/2	14X20	30	23	27	32	16
DP37B*		21	28	17-1/2	14/14-1/2	16-1/2X20	30	23	37	43	16
DP37C*		21	28	17-1/2	14/14-1/2	16-1/2X20	30	23	31	37	16
DP37D*		21	33	21	14/14-1/2/17-1/2	20X20	35	23	56	65	6
DP37E*		21	28	21	14/14-1/2/17-1/2	20X20	30	23	46	55	12
DP37F*		21	28	17-1/2	14/14-1/2	16-1/2X20	30	23	40	47	16
DP37G*		21	40	21	14/14-1/2/17-1/2	20X20	42	23	86	93	6
DP43C*	43,000	21	28	21	14/14-1/2/17-1/2	16-1/2X20	30	23	48	57	12
DP43D*		21	33	21	14/14-1/2/17-1/2	16-1/2X20	35	23	55	64	6
DP43G*		21	40	21	14/14-1/2/17-1/2	20X20	42	23	87	96	6
DP49A*	49,000	21	28	17-1/2	14/14-1/2	16-1/2X20	30	23	39	46	16
DP49B*		21	28	21	14/14-1/2/17-1/2	20X20	30	23	46	54	12
DP49C*		21	28	21	14/14-1/2/17-1/2	20X20	30	23	46	55	12
DP49D*		21	33	21	14/14-1/2/17-1/2	20X20	35	23	56	65	6
DP49G*		21	40	17-1/2	14/14-1/2	16-1/2X20	42	23	73	80	8
DP49H*		21	40	21	14/14-1/2/17-1/2	20X20	42	23	86	95	6
DP61A*	61,000	21	28	21	14/14-1/2/17-1/2	20X20	30	23	48	57	6
DP61B*		21	33	21	14/14-1/2/17-1/2	20X20	35	23	56	65	6
DP61C*		21	33	24-1/2	21/24	23-1/2X20	35	23	67	80	6
DP61D*		21	33	25	21/24/24-1/2	24X20	35	23	69	81	6
DP61E*		21	33	25	21/24/24-1/2	24X20	35	23	71	85	6
DP61F*		21	33	24-1/2	21/24	23-1/2X20	35	23	57	66	6
DP61G*		21	40	21	14/14-1/2/17-1/2	20X20	42	23	89	95	6
DP61H*		21	40	24-1/2	21/24	23-1/2X20	42	23	90	99	4

R51341 11/25

In keeping with its commitment to continuous improvement, Aspen Manufacturing reserves the right to make changes without notice and incurring obligation. To stay up-to-date with this product and Aspen's trusted line of coils, air handlers, and more, go to our website. © 2026 Aspen Manufacturing. All Rights Reserved

**FIGURE 2**



**DP SERIES: CABINET DIMENSIONAL DATA - FIGURE 2**

CABINET DIMENSIONS			PLENUM BOARD DIMENSIONS				DUCTING SIZE		
WIDTH	DEPTH	HEIGHT	SIDE VIEW		FRONT VIEW		8" DUCT FITS?	12" DUCT FITS?	14" DUCT FITS?
			A	B	J	K			
W"	D"	H"	[H - 1.75" - 3"]	[D - 1.75" - 4.5"]	[H - 0.75" - 3"]	[W - 1" - 1"]			
21	28	14 1/2	9-3/4	21-3/4	10-3/4	19	YES	NO	NO
21	28	17 1/2	12-3/4	21-3/4	13-3/4	19	YES	YES	NO
21	28	21	16-1/4	21-3/4	17-1/4	19	YES	YES	YES
21	28	15	10-1/4	21-3/4	11-1/4	19	YES	YES	YES
21	33	17 1/2	12-3/4	26-3/4	13-3/4	19	YES	YES	NO
21	33	21	16-1/4	26-3/4	17-1/4	19	YES	YES	YES
21	33	24 1/2	19-3/4	26-3/4	20-3/4	19	YES	YES	YES
21	33	25	20-1/4	26-3/4	21-1/4	19	YES	YES	YES
21	40	17 1/2	12-3/4	33-3/4	13-3/4	19	YES	YES	NO
21	40	21	16-1/4	33-3/4	17-1/4	19	YES	YES	YES
21	40	24 1/2	19-3/4	33-3/4	20-3/4	19	YES	YES	YES

**DRAIN PAN TEMPERATURE TABLE**

DRAIN PAN TYPE	TEMPERATURE LIMITS
Plastic - Standard	290°

R51341 11/25

**HELPFUL LINKS**



**VIEW PRODUCT ONLINE**

For full warranty terms and conditions, please refer to the Warranty Information section on Aspen's official website.



**VIEW VERSA DUAL REFRIGERANT COILS ONLINE**

Learn more about Aspen's A2L Refrigerant Technology for R32 and R454B Systems.

In keeping with its commitment to continuous improvement, Aspen Manufacturing reserves the right to make changes without notice and incurring obligation. To stay up-to-date with this product and Aspen's trusted line of coils, air handlers, and more, go to our website. © 2026 Aspen Manufacturing. All Rights Reserved

Phone: 281.441.6500 Toll Free: 800.423.9007 Fax: 281.441.6510 Customer Service: info@aspennmfg.com Warranty Team: warranty@aspennmfg.com

# DX SERIES ▶ ALUMINUM



*Unit shown with service panels removed. Representative image only. Some models may vary in appearance.*

## STANDARD FEATURES

- Rifled aluminum tubing, enhanced aluminum fins.
- Multi-stage leak testing at 500 psi pressure decay, mass spectrometer tested with Helium, then Nitrogen pressurized and factory sealed optimal system integrity and long-term reliability.
- Refrigerant lines exit top of coil. Schrader valve on suction line for pressure assurance testing. **Refrigerant and plumbing connections:**
  - **All Drain Pan Connections:** 3/4" NPT
- Heavy duty polycarbonate drain pans.
- Inlet and outlet opening dimensions are identical (without end caps).
- Three-piece service door on top for easy service access.
- Fully insulated cabinets with faced insulation.
- ETL listed for R22, R410A, R454B, and R32 refrigerants.
- A2L refrigerants require a Refrigerant Detection System (RDS) for compliance.
- AHRI certifiable with all brands of A/C and heat pump systems.

## WARRANTY

- Ten-year limited warranty with registration.

## CUSTOMIZATION OPTIONS

### UNIVERSAL A2L REFRIGERANT TECHNOLOGY FOR R32 & R454B SYSTEMS

#### IDEAL FOR USE WITH BOTH CASED AND UNCASSED COILS, PLUS ALL AIR HANDLERS!

Versa Dual Refrigerant Coils are easily configurable for use with either R32 or R454B refrigerant with proper metering device. Utilizing universal Refrigerant Detection Systems (RDS) to ensure regulatory compliance.

#### CUSTOM OPTIONS:

- Refrigerant Detection System (RDS) kit factory-installed.
  - Factory or field-installed TXV available.

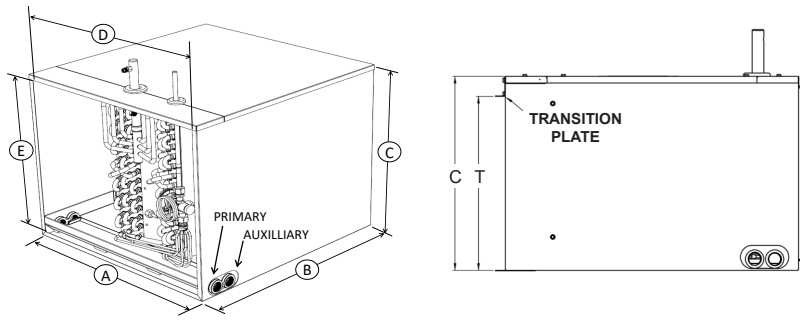
R51341 11/25



In keeping with its commitment to continuous improvement, Aspen Manufacturing reserves the right to make changes without notice and incurring obligation. To stay up-to-date with this product and Aspen's trusted line of coils, air handlers, and more, go to our website. © 2026 Aspen Manufacturing. All Rights Reserved

Phone: 281.441.6500 Toll Free: 800.423.9007 Fax: 281.441.6510 Customer Service: info@aspenmfg.com Warranty Team: warranty@aspenmfg.com

**FIGURE 1**



**DX SERIES: DIMENSIONAL DATA (In.) - FIGURE 1**

COIL MODEL	NOM. CAPACITY BTU	DIMENSIONS						SHIPPING INFO.			
		CABINET				OPENING		WEIGHT (LBS)			SKID QTY
		WIDTH	DEPTH	MAX. HEIGHT	TRANSITION HEIGHT AVAILABLE OPTIONS	WIDTH	HEIGHT	# OF ROWS			
		A"	B"	C"	T"	D"	E"	2	3	4	
DX24A*	24,000	21	22	14-1/2	14 / 14-1/2	20	13-1/2	-	35	39	16
DX24B*		21	22	15	14 / 14-1/2 / 15	20	14	-	37	42	16
DX24E*		21	27	17-1/2	14 / 14-1/2 / 17-1/2	20	16-1/2	43	50	57	16
DX30A*	30,000	21	22	15	14 / 14-1/2 / 15	20	14	-	37	42	16
DX30E*		21	27	17-1/2	14 / 14-1/2 / 17-1/2	20	16-1/2	-	50	57	16
DX36A*	36,000	21	22	15	14 / 14-1/2 / 15	20	14	-	37	42	16
DX36B*		21	27	17-1/2	14 / 14-1/2 / 17-1/2	20	16-1/2	-	47	53	16
DX36C*		21	22	17-1/2	14 / 14-1/2 / 17-1/2	20	16-1/2	-	41	47	16
DX36D*		21	32	21	14 / 14-1/2 / 17-1/2 / 21	20	20	-	66	75	6
DX36E*		21	27	21	14 / 14-1/2 / 17-1/2 / 21	20	20	-	56	65	12
DX36F*		21	27	17-1/2	14 / 14-1/2 / 17-1/2	20	16-1/2	-	50	57	16
DX42C*	42,000	21	27	21	14 / 14-1/2 / 17-1/2 / 21	20	20	-	58	67	12
DX42D*		21	32	21	14 / 14-1/2 / 17-1/2 / 21	20	20	-	65	74	6
DX48A*	48,000	21	27	17-1/2	14 / 14-1/2 / 17-1/2	20	16-1/2	-	49	56	16
DX48B*		21	27	21	14 / 14-1/2 / 17-1/2 / 21	20	20	-	56	64	12
DX48C*		21	27	21	14 / 14-1/2 / 17-1/2 / 21	20	20	-	56	65	12
DX48D*		21	32	21	14 / 14-1/2 / 17-1/2 / 21	20	20	-	66	75	6
DX60A*	60,000	21	27	21	14 / 14-1/2 / 17-1/2 / 21	20	20	-	58	67	6
DX60B*		21	32	21	14 / 14-1/2 / 17-1/2 / 21	20	20	-	66	75	6
DX60C*		21	32	24-1/2	21 / 24 / 24-1/2	20	23-1/2	-	77	90	6
DX60D		21	32	25	21 / 24 / 24-1/2 / 25	20	24	-	79	91	6
DX60E*		21	32	25	21 / 24 / 24-1/2 / 25	20	24	-	82	95	6
DX60F*		21	32	24-1/2	21 / 24 / 24-1/2	20	23-1/2	-	69	79	6

**Notes:** 1) Do not use plastic drain pans on oil furnaces or other applications where the outlet temperature may exceed 425 F. Use high temp plastic drain pan where furnace outlet temperatures exceed 290 F.

**DRAIN PAN TEMPERATURE TABLE**

DRAIN PAN TYPE	TEMPERATURE LIMITS
Plastic - Standard	290°

R51341 11/25

**HELPFUL LINKS**



**VIEW PRODUCT ONLINE**

For full warranty terms and conditions, please refer to the Warranty Information section on Aspen's official website.



**VIEW VERSA DUAL REFRIGERANT COILS ONLINE**

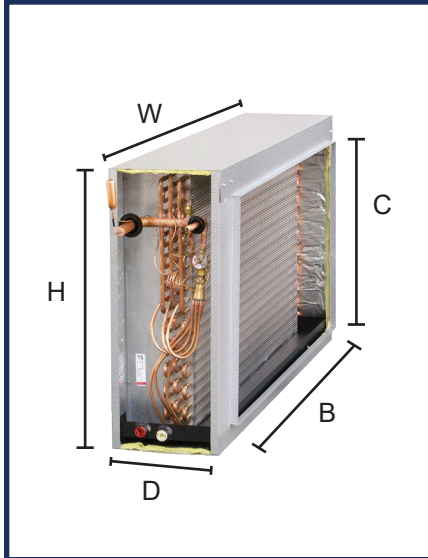
Learn more about Aspen's A2L Refrigerant Technology for R32 and R454B Systems.

In keeping with its commitment to continuous improvement, Aspen Manufacturing reserves the right to make changes without notice and incurring obligation. To stay up-to-date with this product and Aspen's trusted line of coils, air handlers, and more, go to our website. © 2026 Aspen Manufacturing. All Rights Reserved

Phone: 281.441.6500 Toll Free: 800.423.9007 Fax: 281.441.6510 Customer Service: info@aspennfg.com Warranty Team: warranty@aspennfg.com

# BH(A/L) SERIES

- ▶ COPPER
- ▶ HIGH/LOW
- ▶ R410A SERVICE



Representative images only. Some models may vary in appearance.

## STANDARD FEATURES

- Rifled copper tubing, enhanced aluminum fins.
- Immersion tested at 500 psi, followed by nitrogen pressurization and factory sealing to ensure optimal system integrity and long-term reliability.
- Schrader valve provided for pressure assurance testing.
- **Standard refrigerant and plumbing connections:**
  - Liquid line: 3/8" ODS
  - Suction line:
    - ▶ 3/4" ODS on 2-ton to 3-ton
    - ▶ 7/8" ODS on 4-ton to 5-ton
  - Condensate Drains: 3/4" NPT
- Bi-directional airflow.
- Heavy gauge embossed galvanized cabinet fully lined with 1/2" faced insulation.
- Flowrator standard. Factory or field-installable TXV available.
- Front access panel for easy service.
- Drain Pan: Metal High Temp (600° Temp. Limit)
- ETL listed for R410A. R410A products manufactured in 2025 or later will be labeled as "For servicing existing equipment only".

## WARRANTY

- No hassle five-year limited warranty.

### BH(A/L) SERIES SERVICE COIL: DIMENSIONAL DATA (In.)

CIRCUIT TYPE	COIL MODEL	DIMENSIONS					SHIPPING WEIGHT (LBS)			MIN. ORDER QTY
		HEIGHT	DEPTH	WIDTH	OPENINGS		# OF ROWS			
		H"	D"	W"	C"	B"	2	3	4	
SINGLE CIRCUIT (LOW)	BHL24 24+X#+***	17	10	27	14-1/2	21-1/2	26	N/A	N/A	8
	BHL32 36+X#+***	17	10	27	14-1/2	21-1/2	N/A	31	N/A	8
	BHL32 48+X#+***	17	10	36	14-1/2	29	N/A	40	N/A	8
	BHL32 60+X#+***	21	10	36	18-1/2	29	N/A	45	N/A	8
	BHL34 60+X#+***	21	10	36	18-1/2	29	N/A	45	N/A	8
SINGLE CIRCUIT (HIGH)	BHA32 24+X#+***	23-1/2	10	21-1/2	21	16	N/A	32	N/A	8
	BHA32 36+X#+***	23-1/2	10	29-1/2	21	24	N/A	41	N/A	8
	BHA32 48+X#+***	23-1/2	10	34-1/2	21	29	N/A	45	N/A	8
	BHA40 48+X#+***	23-1/2	10	34-1/2	21	29	N/A	N/A	57	6
	BHA32 60+X#+***	25	10	34-1/2	21	29	N/A	51	N/A	8
	BHA40 60+X#+***	25	10	34-1/2	21	29	N/A	N/A	67	6

### BH(A/L) SERIES SERVICE COIL: NOMENCLATURE

SERIES	CONFIG.	COIL		NOM. TONN.	REFRIGERANT & METERING DEVICE	OPTION CODE
BH	A/L	ROWS	FPI	MBTUH	+X5	+000
HORIZONTAL CASED COPPER SLAB COILS	<b>A = HIGH</b> (23.5"-25" TALL) <b>L = LOW</b> (17"-21" TALL)	2 = 2 Row 3 = 3 Row 4 = 4 Row	0 = 10 FPI 2 = 12 FPI 4 = 14 FPI	24 36 48 60	<b>X5</b> = R410A (Non Bleed: 2 to 5-Ton TXV) <b>X6</b> = R410A (20% Bleed: 2 to 5-Ton TXV)	CUSTOM OPTIONS

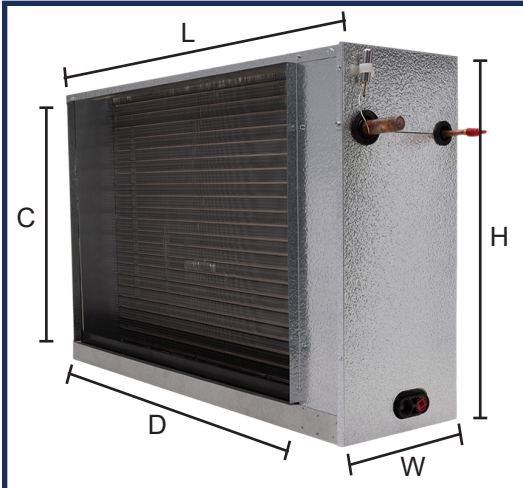
R51341 11/25



In keeping with its commitment to continuous improvement, Aspen Manufacturing reserves the right to make changes without notice and incurring obligation. To stay up-to-date with this product and Aspen's trusted line of coils, air handlers, and more, go to our website. © 2026 Aspen Manufacturing. All Rights Reserved

# CH SERIES ▶ COPPER

SLAB HORIZONTAL  
EVAPORATOR COILS



Representative image only. Some models may vary in appearance.

## STANDARD FEATURES

- Riffled copper tubing, enhanced aluminum fins.
- Immersion tested at 500 psi, followed by nitrogen pressurization and factory sealing to ensure optimal system integrity and long-term reliability.
- Schrader valve provided for pressure assurance testing with 3/8" ODS Stem mounted on end of Liquid Line
- Refrigerant and plumbing connections.
  - Liquid line: 3/8" ODS
  - **Suction line:**
    - ▶ 3/4" ODS on 1-1/2-ton to 3-ton
    - ▶ 7/8" ODS on 3-1/2-ton to 5-ton
  - **Condensate Drains:** 3/4" NPT
- Fully insulated cabinets with faced insulation. Split access doors in front of cabinet for easy service access.
- ETL listed for R22, R410A, R454B, and R32 refrigerants (A2L Refrigerants certified with Refrigerant Detection System (RDS)).
- A2L refrigerants require a Refrigerant Detection System (RDS) for compliance.
- AHRI certifiable with all brands of A/C and heat pump systems.

## WARRANTY

- Ten-year limited warranty with registration.

## CUSTOMIZATION OPTIONS\*

### UNIVERSAL A2L REFRIGERANT TECHNOLOGY FOR R32 & R454B SYSTEMS

#### IDEAL FOR USE WITH BOTH CASED AND UNCASD COILS, PLUS ALL AIR HANDLERS!

Versa Dual Refrigerant Coils are easily configurable for use with either R32 or R454B refrigerant with proper metering device. Utilizing universal Refrigerant Detection Systems (RDS) to ensure regulatory compliance.

#### CUSTOM OPTIONS:

- Factory or field-installed TXV available.

## CH SERIES: DIMENSIONAL DATA (In.)

COIL MODEL	NOM. CAPACITY BTU	DIMENSIONS					SHIPPING INFO.			SKID QTY
		CABINET			OPENING		WEIGHT (LBS)			
		H"	W"	L"	C"	D"	# OF ROWS			
		2	3	4						
CH24A*	24,000	23-1/2	10	21-1/2	21	16	20	34	-	14
CH24B*		23-1/2	10	29-1/2	21	24	29	43	-	14
CH36A*	36,000	23-1/2	10	29-1/2	21	24	29	43	-	14
CH36B*		23-1/2	10	35-1/2	21	30	35	49	-	14
CH48A*	48,000	23-1/2	10	35-1/2	21	30	35	49	-	14
CH48B*		23-1/2	10	41-1/2	21	36	42	56	-	8
CH60A*	60,000	23-1/2	10	41-1/2	21	36	-	56	70	8
CH60B*		23-1/2	10	47-1/2	21	42	-	66	80	8

R51341 11/25



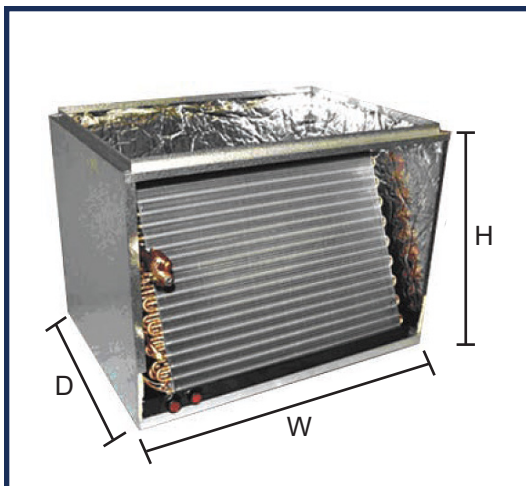
In keeping with its commitment to continuous improvement, Aspen Manufacturing reserves the right to make changes without notice and incurring obligation. To stay up-to-date with this product and Aspen's trusted line of coils, air handlers, and more, go to our website. © 2026 Aspen Manufacturing. All Rights Reserved

Phone: 281.441.6500 Toll Free: 800.423.9007 Fax: 281.441.6510 Customer Service: info@aspennmfg.com Warranty Team: warranty@aspennmfg.com



# CC SERIES

- ▶ COPPER
- ▶ CASSED UPFLOW



Unit shown with service panels removed. Representative image only. Some models may vary in appearance. Left-hand shown.

## STANDARD FEATURES

- Rified copper tubing, enhanced aluminum fins.
- Upflow only. (Slab horizontal coils also available.)
- Immersion tested at 500 psi, followed by nitrogen pressurization and factory sealing to ensure optimal system integrity and long-term reliability.
- Schrader valve provided for pressure assurance testing.
- **Left/right-hand standard refrigerant/plumbing connections:**
  - **Liquid line:** 3/8" ODS
  - **Suction line:** 7/8" ODS
  - **Condensate Drains:** 3/4" NPT
- Embossed galvanized cabinets standard. Fully insulated cabinets with faced insulation. Split access doors in front of cabinet for easy service access.
- Factory-mounted TXV (R-410A - AC & HP compatible).
- ETL listed for R410A, R454B, and R32 refrigerants (A2L Refrigerants certified with Refrigerant Detection System (RDS)).
- A2L refrigerants require a Refrigerant Detection System (RDS) for compliance. Light commercial A2L RDS kits sold separately.

## WARRANTY

- No hassle five-year limited warranty.

## UNIVERSAL A2L REFRIGERANT TECHNOLOGY FOR R32 & R454B SYSTEMS

### LIGHT COMMERCIAL A2L RDS KITS SOLD SEPARATELY

#### IDEAL FOR USE WITH BOTH CASSED AND UNCASSED COILS, PLUS ALL AIR HANDLERS!

Versa Dual Refrigerant Coils are easily configurable for use with either R32 or R454B refrigerant with proper metering device. Utilizing universal Refrigerant Detection Systems (RDS) to ensure regulatory compliance.

## TXV CHART

COIL MODEL	A1 TXV - R410A		A2L TXVS			
			R454B		R32	
	SINGLE CIRCUIT	DUAL CIRCUIT	SINGLE CIRCUIT	DUAL CIRCUIT	SINGLE CIRCUIT	DUAL CIRCUIT
CC072(A/B/C)(3/4)*	(4) 4202	(4) 4200 x 2	(J) 70012	(J) 70011 x 2	(D) 70015	(D) 70014 x 2
CC090(A/B/C)(3/4)*	(4) 70155	(4) 4202 x 2	(J) 70160	(J) 70012 x 2	(D) 70158	(D) 70015 x 2
CC120(A/B/C)(3/4)*	(4) 70156	(4) 4202 x 2	(J) 70157	(J) 70012 x 2	(D) 70159	(D) 70015 x 2

## DRAIN PAN TEMPERATURE TABLE

DRAIN PAN TYPE	TEMPERATURE LIMITS
Metal - High Temp	600°

R51341 11/25



In keeping with its commitment to continuous improvement, Aspen Manufacturing reserves the right to make changes without notice and incurring obligation. To stay up-to-date with this product and Aspen's trusted line of coils, air handlers, and more, go to our website. © 2026 Aspen Manufacturing. All Rights Reserved

Phone: 281.441.6500 Toll Free: 800.423.9007 Fax: 281.441.6510 Customer Service: info@aspennmfg.com Warranty Team: warranty@aspennmfg.com

**CC SERIES LIGHT COMMERCIAL: DIMENSIONAL DATA (In.)**

LIGHT COMMERCIAL COIL MODEL	DIMENSIONS				SHIPPING INFO.		
	CABINET*				COIL WIDTH	WEIGHT LBS	MIN. ORDER QTY
	MIN. WIDTH	MAX. WIDTH	DEPTH	HEIGHT			
	W"	W"	D"	H"			
<b>SINGLE CIRCUIT COILS</b>							
CC072A3*-XXXL-000	30	36	21-1/2	22	24	84	4
CC072B3*-XXXL-000	36	42	21-1/2	22	30	105	4
CC072C3*-XXXL-000	42	48	21-1/2	22	36	126	4
CC090A3*-XXXL-000	36	42	21-1/2	22	30	105	4
CC090B3*-XXXL-000	42	48	21-1/2	22	36	126	4
CC090C3*-XXXL-000	48	54	21-1/2	22	42	147	4
CC120A3*-XXXL-000	36	42	21-1/2	22	30	105	4
CC120B3*-XXXL-000	42	48	21-1/2	22	36	126	4
CC120C3*-XXXL-000	48	54	21-1/2	22	42	147	4
CC120D4*-505R-000	50-1/2	50-1/2	21-1/2	22	43	140	4
<b>DOUBLE CIRCUIT COILS</b>							
CC072A4*-XXXL-12#	30	36	21-1/2	22	24	103	4
CC072B4*-XXXL-12#	36	42	21-1/2	22	30	128	4
CC072C4*-XXXL-12#	42	48	21-1/2	22	36	154	4
CC090A4*-XXXL-12#	36	42	21-1/2	22	30	128	4
CC090B4*-XXXL-12#	42	48	21-1/2	22	36	154	4
CC090C4*-XXXL-12#	48	54	21-1/2	22	42	180	4
CC120A4*-XXXL-12#	36	42	21-1/2	22	30	128	4
CC120B4*-XXXL-12#	42	48	21-1/2	22	36	154	4
CC120C4*-XXXL-12#	48	54	21-1/2	22	42	180	4

**Notes:** Slabs are oriented with delta plates facing the side walls of the cabinet. Refrigerant and plumbing connections exit cabinet front. Top duct opening size can be obtained by subtracting 1-1/2" from width or depth. Bottom duct opening size can be obtained by subtracting 3/4" from width or depth. CC120D coil available only in 50-1/2" width, but can fit multiple furnace dimensions with supplied block off plates.

\* Metering Device and Refrigerant = 4, J, or D  
 # Option -000 = Single Circuit  
 # Option -120 = Double Circuit, 50/50 circuit split  
 # Option -121 = Double Circuit, intertwined circuits

R51341 11/25

**HELPFUL LINKS**



**VIEW PRODUCT ONLINE**

For full warranty terms and conditions, please refer to the Warranty Information section on Aspen's official website.



**VIEW VERSA DUAL REFRIGERANT COILS ONLINE**

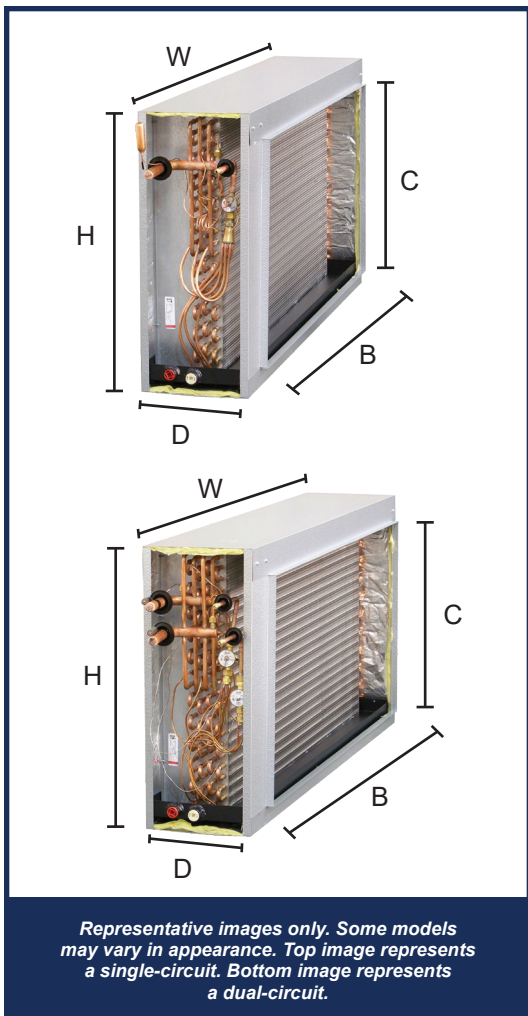
Learn more about Aspen's A2L Refrigerant Technology for R32 and R454B Systems.

In keeping with its commitment to continuous improvement, Aspen Manufacturing reserves the right to make changes without notice and incurring obligation. To stay up-to-date with this product and Aspen's trusted line of coils, air handlers, and more, go to our website. © 2026 Aspen Manufacturing. All Rights Reserved

Phone: 281.441.6500 Toll Free: 800.423.9007 Fax: 281.441.6510 Customer Service: info@aspenmfg.com Warranty Team: warranty@aspenmfg.com

# BH SERIES

- ▶ COPPER
- ▶ SLAB HORIZONTAL



## STANDARD FEATURES

- Rifled copper tubing, enhanced aluminum fins.
- Single circuit. Dual circuitry available.
  - Dual circuit coils can be split top-to-bottom (TTB) or interfaced (INT).
- Immersion tested at 500 psi, followed by nitrogen pressurization and factory sealed to ensure optimal system integrity and long-term reliability.
- Single/Double Circuit refrigerant and plumbing connections:
  - 072 Single Circuit Coils: 7/8" OD Suction + 3/8" OD Liquid
  - **090/120 Single Circuit Coils:** 1-1/8" OD Suction + 1/2" OD Liquid
  - **072 Dual Circuit Coils:** (2) 3/4" OD Suction + (2) 3/8" OD Liquid
  - **090 & 120 Dual Circuit Coils:** (2) 7/8" OD Suction + (2) 3/8" OD Liquid
  - **Condensate Drains:** 3/4" NPT
- Powder-painted galvanized steel drain pans.
- Front access panel for easy service.
- Heavy gauge embossed galvanized cabinets fully lined with 1/2" faced insulation.
- Factory installed Non-Bleed port TXV(s) standard.
- ETL listed for R22, R410A, R454B, and R32 refrigerants.
- A2L refrigerants require a Refrigerant Detection System (RDS) for compliance.
- **Light commercial A2L RDS kits sold separately.**

## WARRANTY

- No hassle five-year limited warranty.

## UNIVERSAL A2L REFRIGERANT TECHNOLOGY FOR R32 & R454B SYSTEMS

### LIGHT COMMERCIAL A2L RDS KITS SOLD SEPARATELY

#### IDEAL FOR USE WITH BOTH CASED AND UNCASD COILS, PLUS ALL AIR HANDLERS!

Versa Dual Refrigerant Coils are easily configurable for use with either R32 or R454B refrigerant with proper metering device. Utilizing universal Refrigerant Detection Systems (RDS) to ensure regulatory compliance.

R51341 11/25



In keeping with its commitment to continuous improvement, Aspen Manufacturing reserves the right to make changes without notice and incurring obligation. To stay up-to-date with this product and Aspen's trusted line of coils, air handlers, and more, go to our website. © 2026 Aspen Manufacturing. All Rights Reserved

BH SERIES LIGHT COMMERCIAL: DIMENSIONAL DATA (In.)									MIN. ORDER QTY
COIL MODEL	DIMENSIONS					SHIPPING WEIGHT (LBS)			
	HEIGHT	DEPTH	WIDTH	OPENINGS		# OF ROWS			
	H"	D"	W"	C"	B"	2	3	4	
<b>SINGLE CIRCUIT COILS</b>									
BH132 72+##+***	25-1/2	10	41-1/2	21	36	44	58	-	4
BH332 72+##+***	25-1/2	10	47-1/2	21	42	-	68	82	4
BH132 90+##+***	25-1/2	10	47-1/2	21	42	-	68	82	4
BH332 90+##+***	25-1/2	10	50-1/2	21	45	-	73	87	4
BH132 120+##+***	25-1/2	10	47-1/2	21	42	-	68	82	4
BH332 120+##+***	25-1/2	10	50-1/2	21	45	-	73	87	4
<b>DUAL CIRCUIT COILS</b>									
BH140 72+##+***	25-1/2	10	41-1/2	21	36	44	58	-	6
BH340 72+##+***	25-1/2	10	47-1/2	21	42	-	68	82	6
BH140 90+##+***	25-1/2	10	47-1/2	21	42	-	68	82	6
BH340 90+##+***	25-1/2	10	50-1/2	21	45	-	73	87	6
BH140 120+##+***	25-1/2	10	47-1/2	21	42	-	68	82	6
BH340 120+##+***	25-1/2	10	50-1/2	21	45	-	73	87	6

\*\*\*: Option Code (Three Numbers) = Single Circuit Coil; Top to Bottom Dual Circuit Coil; Interfaced Dual Circuit Coil; RDS; ## = Metering Device / Refrigerant Designation

TXV CHART			
A1 TXV		A2L ADJUSTABLE TXV	
SINGLE CIRCUIT	DUAL CIRCUIT	SINGLE CIRCUIT	DUAL CIRCUIT
NON-BLEED	NON-BLEED	NON-BLEED	NON-BLEED
X4 = R410A	X5 = R410A	D1 = R32 (6T) D2 = R32 (7.5T - 10T) J1 = R454B (6T) J2 = R454B (7.5T - 10T)	D3 = R32 (6T) D4 = R32 (7.5T - 10T) J3 = R454B (6T) J4 = R454B (7.5T - 10T)
20% BLEED	20% BLEED	20% BLEED	20% BLEED
-	X6 = R410A	-	E1 = R32 (6T) E2 = R32 (7.5T - 10T) K1 = R454B (6T) K2 = R454B (7.5T - 10T)
		Z1 = Field Convertible Metering Device	Z1 = Field Convertible Metering Device

DRAIN PAN TEMPERATURE TABLE	
DRAIN PAN TYPE	TEMPERATURE LIMITS
Metal - High Temp	600°

R51341 11/25

### HELPFUL LINKS



#### VIEW PRODUCT ONLINE

For full warranty terms and conditions, please refer to the Warranty Information section on Aspen's official website.



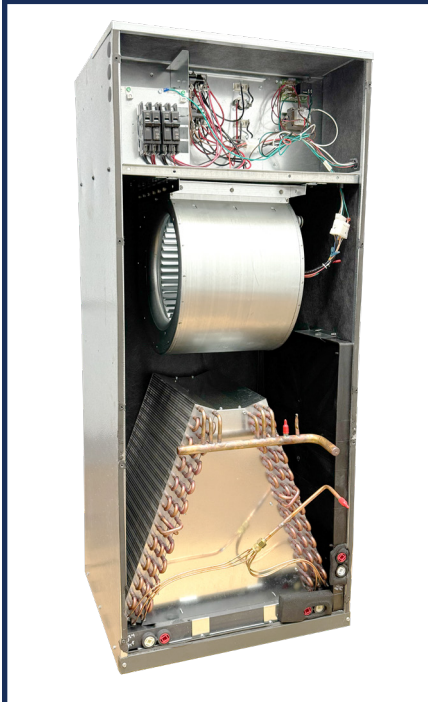
#### AHRI QUICK MATCH TOOL

Identify the correct AHRI-certified match for any Aspen coil, air handler, or Aspen PRO air handler. Available on the Resources page.

In keeping with its commitment to continuous improvement, Aspen Manufacturing reserves the right to make changes without notice and incurring obligation. To stay up-to-date with this product and Aspen's trusted line of coils, air handlers, and more, go to our website. © 2026 Aspen Manufacturing. All Rights Reserved

Phone: 281.441.6500 Toll Free: 800.423.9007 Fax: 281.441.6510 Customer Service: info@aspennmfg.com Warranty Team: warranty@aspennmfg.com

# AAM SERIES ▶ COPPER ▶ ELECTRIC



*Unit shown with service panels removed. Representative image only. Some models may vary in appearance.*

## APPLICATION VERSATILITY

Upflow or horizontal right as shipped (field-convertible for downflow or horizontal left applications). Can be AHRI matched with most brands of air conditioners or heat pumps.

- A2L refrigerants require a Refrigerant Detection System (RDS) for compliance. In accordance to UL 60335 Refrigerant Detection Systems are factory-installed on A2L refrigerant ready air handlers.
- ETL listed for R22, R410A, R454B, and R32 refrigerants (A2L refrigerants certified with Refrigerant Detection System (RDS)).

## 240V PSC MOTOR

The 240V PSC Motor with Electric Heat Option features a direct drive, multi-speed blower that delivers quiet and efficient air circulation. A Multi-speed motor allows for precise airflow selection, while clearly labeled motor terminals make speed adjustments simple and accurate. The rail mounted blower assembly enables quick removal for easy service and maintenance. Built for reliability and consistent performance, this motor option is ideal for electric heat applications.

## BLOWER

Direct drive blowers circulate air quietly and efficiently. Blowers mounted on rails so they can be easily removed for service.

## ELECTRONIC CONTROL BOARD

Electronic circuit board provides 30 secs ON/OFF blower time delay extracting more heat/cool from the coil. Automotive-style pull fuse protection on the circuit board to provide low voltage and transformer protection.

## LOW LEAKAGE CABINET

Sturdy, fully insulated galvanized steel cabinet; 1/2" insulation. Unit ships with disposable filter. Less than 2% air leakage from cabinet when tested in accordance with ASHRAE standard 193. Unit must be installed according to Aspen installation instructions.

## DX COIL

High-efficiency rifled copper tubes and enhanced aluminum fins provide maximum heat transfer. All coils are immersion tested at 500 psi, followed by nitrogen pressurization and factory sealing to ensure optimal system integrity and long-term reliability.

Available with either orifice or TXV metering device. Field-installable bolt-on TXVs are also available. Heavy duty plastic drain pans on most models, powder coated galvanized steel horizontal drain pans standard on all. Optional galvanized metal drain pan with bottom primary and secondary drain connections or alternate right side primary option available. Fully insulated cabinets with faced insulation. Split access doors in front of cabinet for easy service access.

## MODULAR ELECTRIC HEAT KITS

Heat kits available with either circuit breakers or terminal blocks. Available from 3 to 25 KW. Models with electric heat include sequencers and temperature limit switches for safe, efficient operation. Modules are easily installed in the field using molex plugs or can be ordered factory-installed. Controls are accessible from the front for easy service. Electrical connections can be made from the top or left. Disconnect does not protrude through the wall panel. Fan time delay relay standard for increased efficiency.

**WARRANTY** Ten-year limited parts warranty with registration.

**OPTIONS** Ask your local Aspen Sales Rep for customization options.

## DUAL REFRIGERANT

### UNIVERSAL A2L REFRIGERANT TECHNOLOGY FOR R32 & R454B SYSTEMS

#### IDEAL FOR USE WITH ASPEN AIR HANDLERS, AS WELL AS CASED & UNCASSED COILS!

Versa Dual Refrigerant Coils are easily configurable for use with either R32 or R454B refrigerant with proper metering device. Utilizing universal Refrigerant Detection Systems (RDS) to ensure regulatory compliance.

#### OTHER POPULAR CUSTOM OPTION:

Factory or field-installed TXV available.

#### DOWNFLOW KIT OPTIONS:

##### METAL DRAIN PANS

- 16" DWNFLWM-16
- 18" DWNFLWM-18

##### PLASTIC DRAIN PANS

DWNFLWP

R51341 11/25



In keeping with its commitment to continuous improvement, Aspen Manufacturing reserves the right to make changes without notice and incurring obligation. To stay up-to-date with this product and Aspen's trusted line of coils, air handlers, and more, go to our website. © 2026 Aspen Manufacturing. All Rights Reserved



HEATING/COOLING PERFORMANCE & ELECTRICAL DATA											
MODEL	PERFORMANCE DATA							ELECTRICAL DATA			
	NOM. COOLING	ELECTRIC HEAT KIT MODEL	MIN SPEED TAP	HEATING (KW)		HEATING CAPACITY(MBUTH)		MINIMUM CIRCUIT AMPACITY (MCA)		MAX. BREAKER OR FUSE SIZE	
				208V	240V	208V	240V	208V	240V	208V	240V
AAM 18/19	18,000	E(C,T) S00	-	0.0	0.0	0.0	0.0	1.8	1.8	15A	15A
		E(C,T) S03	LO	2.3	3.0	7.8	10.2	15.3	17.4	20A	20A
		E(C,T) S05	LO	3.6	4.8	12.3	16.4	23.4	26.8	25A	30A
		E(C,T) S06	LO	4.5	6.0	15.3	20.5	28.8	33	30A	35A
		E(C,T) S08	HI	6.0	8.0	20.5	27.3	37.8	43.4	40A	45A
		E(C,T) S10	HI	7.2	9.6	24.6	32.7	45.0	51.8	45A	60A
AAM 24/25	24,000	E(C,T) S00	-	0.0	0.0	0.0	0.0	1.8	1.8	15A	15A
		E(C,T) S03	LO	2.3	3.0	7.8	10.2	15.3	17.4	20A	20A
		E(C,T) S05	LO	3.6	4.8	12.3	16.4	23.4	26.8	25A	30A
		E(C,T) S06	LO	4.5	6.0	15.3	20.5	28.8	33	30A	35A
		E(C,T) S08	HI	6.0	8.0	20.5	27.3	37.8	43.4	40A	45A
		E(C,T) S10	HI	7.2	9.6	24.6	32.7	45.0	51.8	45A	60A
AAM 30/31	30,000	E(C,T) M00	-	0.0	0.0	0.0	0.0	3.3	3.3	15A	15A
		E(C,T) M03	HI	2.3	3.0	7.8	10.2	16.8	18.9	20A	20A
		E(C,T) M05	HI	3.6	4.8	12.3	16.4	24.9	28.3	25A	30A
		E(C,T) M06	HI	4.5	6.0	15.3	20.5	30.3	34.5	35A	35A
		E(C,T) M08	HI	6.0	8.0	20.5	27.3	39.3	44.9	40A	45A
		E(C,T) M10	HI	7.2	9.6	24.6	32.7	46.5	53.3	50A	60A
		E(C,T) M15	HI	7.2 / 3.6	9.6 / 4.8	24.6 / 12.3	32.7 / 16.4	46.5 / 21.6	53.3 / 25	50A / 25A	60A / 25A
AAM 36/37	36,000	E(C,T) M00	-	0.0	0.0	0.0	0.0	3.3	3.3	15A	15A
		E(C,T) M03	HI	2.3	3.0	7.8	10.2	16.8	18.9	20A	20A
		E(C,T) M05	HI	3.6	4.8	12.3	16.4	24.9	28.3	25A	30A
		E(C,T) M06	HI	4.5	6.0	15.3	20.5	30.3	34.5	35A	35A
		E(C,T) M08	HI	6.0	8.0	20.5	27.3	39.3	44.9	40A	45A
		E(C,T) M10	HI	7.2	9.6	24.6	32.7	46.5	53.3	50A	60A
		E(C,T) M15	HI	7.2 / 3.6	9.6 / 4.8	24.6 / 12.3	32.7 / 16.4	46.5 / 21.6	53.3 / 25	50A / 25A	60A / 25A

In keeping with its commitment to continuous improvement, Aspen Manufacturing reserves the right to make changes without notice and incurring obligation. To stay up-to-date with this product and Aspen's trusted line of coils, air handlers, and more, go to our website. © 2026 Aspen Manufacturing. All Rights Reserved

Phone: 281.441.6500 Toll Free: 800.423.9007 Fax: 281.441.6510 Customer Service: info@aspenmfg.com Warranty Team: warranty@aspenmfg.com



(...continued) HEATING/COOLING PERFORMANCE & ELECTRICAL DATA											
MODEL	PERFORMANCE DATA							ELECTRICAL DATA			
	NOM. COOLING	ELECTRIC HEAT KIT MODEL	MIN SPEED TAP	HEATING (KW)		HEATING CAPACITY (MBUTH)		MINIMUM CIRCUIT AMPACITY (MCA)		MAX. BREAKER OR FUSE SIZE	
				208V	240V	208V	240V	208V	240V	208V	240V
AAM 42/43	42,000	E(C,T) L00	-	0.0	0.0	0.0	0.0	5.5	5.5	15A	15A
		E(C,T) L03	LO	2.3	3.0	7.8	10.2	19	21.1	20A	25A
		E(C,T) L05	LO	3.6	4.8	12.3	16.4	27.1	30.5	30A	35A
		E(C,T) L06	LO	4.5	6.0	15.3	20.5	32.5	36.8	35A	40A
		E(C,T) L08	LO	6.0	8.0	20.5	27.3	41.6	47.2	45A	50A
		E(C,T) L10	LO	7.2	9.6	24.6	32.7	48.8	55.5	50A	60A
		E(C,T) L15	LO	7.2 / 3.6	9.6 / 4.8	24.6 / 12.3	32.7 / 16.4	48.8 / 21.6	55.5 / 25.0	50A / 25A	60A / 25A
		E(C,T) L20	LO	7.2 / 7.2	9.6 / 9.6	24.6 / 24.6	32.7 / 32.7	48.8 / 43.3	55.5 / 50.0	50A / 45A	60A / 50A
		E(C,T) L25	LO	7.2 / 7.2 / 3.6	9.6 / 9.6 / 4.8	24.6 / 24.6 / 12.3	32.7 / 32.7 / 16.4	48.8 / 43.3 / 21.6	55.5 / 50.0 / 25.0	50A / 45A / 25A	60A / 50A / 25A
AAM 48/49	48,000	E(C,T) L00	-	0.0	0.0	0.0	0.0	5.5	5.5	15A	15A
		E(C,T) L03	LO	2.3	3.0	7.8	10.2	19	21.1	20A	25A
		E(C,T) L05	LO	3.6	4.8	12.3	16.4	27.1	30.5	30A	35A
		E(C,T) L06	LO	4.5	6.0	15.3	20.5	32.5	36.8	35A	40A
		E(C,T) L08	LO	6.0	8.0	20.5	27.3	41.6	47.2	45A	50A
		E(C,T) L10	LO	7.2	9.6	24.6	32.7	48.8	55.5	50A	60A
		E(C,T) L15	LO	7.2 / 3.6	9.6 / 4.8	24.6 / 12.3	32.7 / 16.4	48.8 / 21.6	55.5 / 25.0	50A / 25A	60A / 25A
		E(C,T) L20	LO	7.2 / 7.2	9.6 / 9.6	24.6 / 24.6	32.7 / 32.7	48.8 / 43.3	55.5 / 50.0	50A / 45A	60A / 50A
		E(C,T) L25	LO	7.2 / 7.2 / 3.6	9.6 / 9.6 / 4.8	24.6 / 24.6 / 12.3	32.7 / 32.7 / 16.4	48.8 / 43.3 / 21.6	55.5 / 50.0 / 25.0	50A / 45A / 25A	60A / 50A / 25A
AAM 60/61 /62	60,000	E(C,T) L00	-	0.0	0.0	0.0	0.0	5.5	5.5	15A	15A
		E(C,T) L03	LO	2.3	3.0	7.8	10.2	19	21.1	20A	25A
		E(C,T) L05	LO	3.6	4.8	12.3	16.4	27.1	30.5	30A	35A
		E(C,T) L06	LO	4.5	6.0	15.3	20.5	32.5	36.8	35A	40A
		E(C,T) L08	LO	6.0	8.0	20.5	27.3	41.6	47.2	45A	50A
		E(C,T) L10	LO	7.2	9.6	24.6	32.7	48.8	55.5	50A	60A
		E(C,T) L15	LO	7.2 / 3.6	9.6 / 4.8	24.6 / 12.3	32.7 / 16.4	48.8 / 21.6	55.5 / 25.0	50A / 25A	60A / 25A
		E(C,T) L20	LO	7.2 / 7.2	9.6 / 9.6	24.6 / 24.6	32.7 / 32.7	48.8 / 43.3	55.5 / 50.0	50A / 45A	60A / 50A
		E(C,T) L25	LO	7.2 / 7.2 / 3.6	9.6 / 9.6 / 4.8	24.6 / 24.6 / 12.3	32.7 / 32.7 / 16.4	48.8 / 43.3 / 21.6	55.5 / 50.0 / 25.0	50A / 45A / 25A	60A / 50A / 25A

In keeping with its commitment to continuous improvement, Aspen Manufacturing reserves the right to make changes without notice and incurring obligation. To stay up-to-date with this product and Aspen's trusted line of coils, air handlers, and more, go to our website. © 2026 Aspen Manufacturing. All Rights Reserved



BLOWER DATA								
MODEL	240V ECM MOTOR			CFM V. EXTERNAL STATIC				
	MOTOR HP	MOTOR AMPS	SPEED TAP	0.1	0.2	0.3	0.4	0.5
AAM 18/19/24/25	1/5	1.4	LO	750	706	674	627	600
			HI	932	894	862	827	800
AAM 30/31/36/37	1/3	2.6	LO	745	698	668	630	600
			HI	1291	1280	1252	1227	1200
AAM 42/43/48/49/ 60/61/62	3/4	4.4	LO	1367	1342	1303	1260	1217
			HI	2018	1987	1961	1922	1889

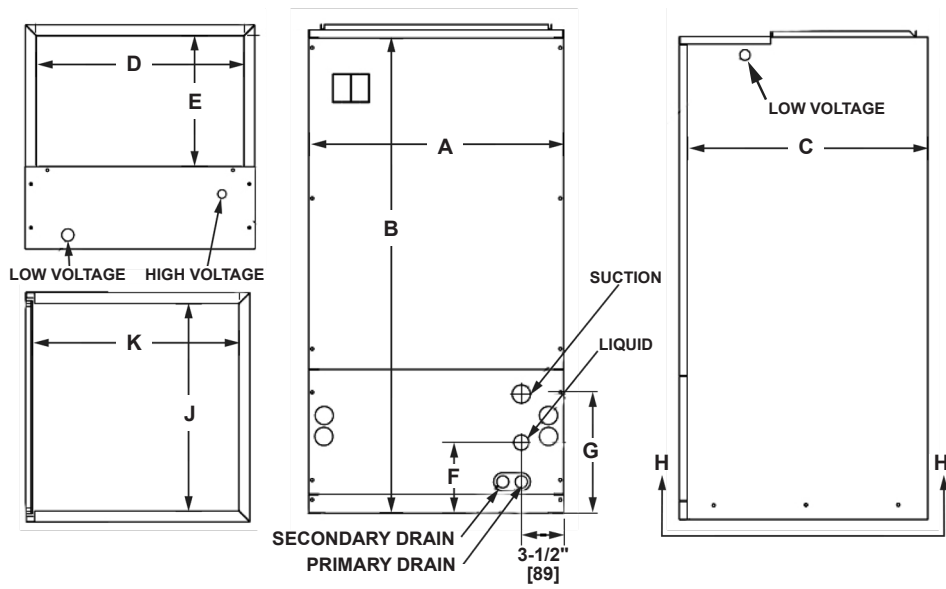
ELECTRIC HEAT KIT NOMENCLATURE			
HEAT KIT SERIES	POWER CONNECTION	CABINET SIZE	ELECTRIC HEAT CAPACITY
<b>E</b>	<b>C</b>	<b>S</b>	<b>03</b>
E= ELECTRIC HEAT	C = CIRCUIT BREAKER T = TERMINAL BLOCK	S = 24, 25	00 = 0 KW 03 = 3 KW 05 = 5 KW 06 = 6 KW 08 = 8 KW 10 = 10 KW
		M = 26, 30, 31, 32, 36, 37, 38	00 = 0 KW 03 = 3 KW 05 = 5 KW 06 = 6 KW 08 = 8 KW 10 = 10 KW 15 = 15 KW
		L = 42, 43, 48, 49, 60, 61, 62	00 = 0 KW 03 = 3 KW 05 = 5 KW 06 = 6 KW 08 = 8 KW 10 = 10 KW 15 = 15 KW 20 = 20 KW 25 = 25KW

AIR HANDLER CHASSIS NOMENCLATURE			
<b>AAM</b>	<b>18</b>	<b>G</b>	<b>001</b>
240V PSC MOTOR Multi-Position Air Handler	Nominal Tonnage	<b>METERING DEVICE</b>	OPTION CODE
		4 = non-bleed A/C or H/P R410 TXV 6 = 20% bleed A/C or H/P R410 TXV B = 20% bleed A/C or H/P R410 TXV G = R410 Flo-rater F = R-22 Flo-rater X = non-bleed A/C or H/P R22TXV  J = R454B (TXV NON-BLEED AC/HP) D = R32 (TXV NON-BLEED AC/HP) K = R454B (TXV 20% BLEED AC/HP) M = R32 (PISTON) N = R454B (PISTON) Z = R454B/R32 CONFIGURABLE(PISTON)	

In keeping with its commitment to continuous improvement, Aspen Manufacturing reserves the right to make changes without notice and incurring obligation. To stay up-to-date with this product and Aspen's trusted line of coils, air handlers, and more, go to our website. © 2026 Aspen Manufacturing. All Rights Reserved

Phone: 281.441.6500 Toll Free: 800.423.9007 Fax: 281.441.6510 Customer Service: info@aspenmfg.com Warranty Team: warranty@aspenmfg.com

**FIGURE 1 - AAM**



**AAM DIMENSIONS (In.)[mm.]- FIGURE 1**

MODEL	A	B	C	D	E	F	G	J	K	FILTER	SHIPPING INFO.	
										1" DEPTH	WEIGHT	QTY
AAM 18	21 [533]	40 [1016]	20-1/2 [521]	18-3/4 [476]	12 [305]	7-1/4 [184]	10-1/4 [260]	18-1/2 [470]	18-1/2 [470]	16X20	99	4
AAM 19/24/25	21 [533]	40 [1016]	20-1/2 [521]	18-3/4 [476]	12 [305]	8-1/4 [209]	12-1/4 [311]	18-1/2 [470]	18-1/2 [470]	16X20	100	
AAM 30	21 [533]	49-1/4 [1251]	20-1/2 [521]	18-3/4 [476]	12 [305]	8-1/4 [209]	14-1/4 [362]	18-1/2 [470]	18-1/2 [470]	16X20	118	
AAM 36	21 [533]	49-1/4 [1251]	20-1/2 [521]	18-3/4 [476]	12 [305]	10-1/4 [260]	16-1/4 [412]	18-1/2 [470]	18-1/2 [470]	16X20	118	
AAM 31/37	21 [533]	49-1/4 [1251]	20-1/2 [521]	18-3/4 [476]	12 [305]	10-1/4 [260]	16-1/4 [412]	18-1/2 [470]	18-1/2 [470]	16X20	147	
AAM 42	24-1/2 [622]	57 [1448]	20-1/2 [521]	22-1/4 [565]	14-3/4 [375]	11 [279]	16 [406]	22 [559]	18-1/2 [470]	20X20	153	
AAM 48	24-1/2 [622]	57 [1448]	20-1/2 [521]	22-1/4 [565]	14-3/4 [375]	13 [330]	18 [457]	22 [559]	18-1/2 [470]	20X20	180	
AAM 43/49/60/62	24-1/2 [622]	57 [1448]	20-1/2 [521]	22-1/4 [565]	14-3/4 [375]	13 [330]	18 [457]	22 [559]	18-1/2 [470]	20X20	180	
AAM 61	24-1/2 [622]	57 [1448]	20-1/2 [521]	22-1/4 [565]	14-3/4 [375]	15 [381]	20 [508]	22 [559]	18-1/2 [470]	20X20	200	

In keeping with its commitment to continuous improvement, Aspen Manufacturing reserves the right to make changes without notice and incurring obligation. To stay up-to-date with this product and Aspen's trusted line of coils, air handlers, and more, go to our website. © 2026 Aspen Manufacturing. All Rights Reserved

# AEM SERIES (HIGH-EFFICIENCY)

- ▶ COPPER
- ▶ ELECTRIC

MULTI-POSITION  
AIR HANDLERS



Unit shown with service panels removed. Representative image only. Some models may vary in appearance.

## APPLICATION VERSATILITY

Upflow or horizontal right as shipped (field-convertible for downflow or horizontal left applications). Can be AHRI matched with most brands of air conditioners or heat pumps.

- A2L refrigerants require a Refrigerant Detection System (RDS) for compliance. In accordance to UL 60335 Refrigerant Detection Systems are factory-installed on A2L refrigerant ready air handlers.
- ETL listed for R22, R410A, R454B, and R32 refrigerants (A2L refrigerants certified with Refrigerant Detection System (RDS)).

## 240V CONSTANT TORQUE ECM MOTOR

Pre-programmed, 5-speed, 208V/240V ECM motors that ensure higher efficiency and increased energy savings by delivering constant torque during operation. Motors are pre-programmed with speeds and torques at the factory for optimal performance and reliability. Direct drive blowers circulate air quietly and efficiently. Rail mounted blowers provide easy removal for service and maintenance.

## ENERGY EFFICIENT BLOWER

Direct drive blowers circulate air quietly and efficiently. Blowers mounted on rails so they can be easily removed for service.

## ELECTRONIC CONTROL BOARD

Electronic circuit board provides 30 secs ON/OFF blower time delay extracting more heat/cool from the coil. Automotive-style pull fuse protection on the circuit board to provide low voltage and transformer protection.

## LOW LEAKAGE CABINET

Sturdy, fully insulated galvanized steel cabinet; stick pins ensure 1/2" insulation remains in place. Unit ships with disposable filter. Less than 2% air leakage from cabinet when tested in accordance with ASHRAE standard 193. Unit must be installed according to Aspen installation instructions.

## DX COIL

High-efficiency rifled copper tubes and enhanced aluminum fins provide maximum heat transfer. All coils are immersion tested at 500 psi, followed by nitrogen pressurization and factory sealing to ensure optimal system integrity and long-term reliability.

Available with either orifice or TXV metering device. Field-installable bolt-on TXVs are also available. Heavy duty plastic drain pans on most models, powder coated galvanized steel horizontal drain pans standard on all. Optional galvanized metal drain pan with bottom primary and secondary drain connections or alternate right side primary option available. Fully insulated cabinets with faced insulation. Split access doors in front of cabinet for easy service access. **Left/right-hand standard refrigerant and plumbing connections include:**

## MODULAR ELECTRIC HEAT KITS

Heat kits available with either circuit breakers or terminal blocks. Available from 3 to 25 KW. Models with electric heat include sequencers and temperature limit switches for safe, efficient operation. Modules are easily installed in the field using molex plugs or can be ordered factory-installed. Controls are accessible from the front for easy service. Electrical connections can be made from the top or left. Disconnect does not protrude through the wall panel. Fan time delay relay standard for increased efficiency.

**WARRANTY** Ten-year limited parts warranty with registration. **OPTIONS** Ask your local Aspen Sales Rep for customization options.

DUAL REFRIGERANT		
UNIVERSAL A2L REFRIGERANT TECHNOLOGY FOR R32 & R454B SYSTEMS		
<p><b>IDEAL FOR USE WITH ASPEN AIR HANDLERS, AS WELL AS CASED &amp; UNCASED COILS!</b></p> <p>Versa Dual Refrigerant Coils are easily configurable for use with either R32 or R454B refrigerant with proper metering device. Utilizing universal Refrigerant Detection Systems (RDS) to ensure regulatory compliance.</p>		
OTHER POPULAR CUSTOM OPTION:	DOWNFLOW KIT OPTIONS:	
Factory or field-installed TXV available.	METAL DRAIN PANS	PLASTIC DRAIN PANS
	<ul style="list-style-type: none"> <li>• 16" DWNFLWM-16</li> <li>• 18" DWNFLWM-18</li> </ul>	DWNFLWP

R51341 11/25



In keeping with its commitment to continuous improvement, Aspen Manufacturing reserves the right to make changes without notice and incurring obligation. To stay up-to-date with this product and Aspen's trusted line of coils, air handlers, and more, go to our website. © 2026 Aspen Manufacturing. All Rights Reserved

Phone: 281.441.6500 Toll Free: 800.423.9007 Fax: 281.441.6510 Customer Service: info@aspenmfg.com Warranty Team: warranty@aspenmfg.com



WWW.ASPENMFG.COM 49

**HEATING/COOLING PERFORMANCE & ELECTRICAL DATA**

MODEL	ELECTRIC HEAT KIT MODEL	PERFORMANCE DATA						ELECTRICAL DATA			
		HEATING		HEAT KIT		HEATING CAPACITY		MIN. CIRCUIT AMPACITY		MAX. BREAKER OR FUSE SIZE	
		KW		A		MBTUH		MCA			
		208V	240V	208V	240V	208V	240V	208V	240V	208V	240V
AEM 18/19	E(C,T)S00	0.0	0.0	0.0	0.0	0.0	0.0	3.5	3.5	15	15
	E(C,T)S03	2.3	3.0	11.1	12.5	7.8	10.2	17.0	19.1	20	20
	E(C,T)S05	3.8	5.0	18.3	20.8	13.0	17.1	25.1	28.5	30	30
	E(C,T)S08	6.1	8.0	29.3	33.3	20.8	27.3	39.6	45.2	40	50
	E(C,T)S10	7.6	10.0	36.5	41.7	25.9	34.1	46.8	53.5	50	60
AEM 24/25	E(C,T)S00	0.0	0.0	0.0	0.0	0.0	0.0	3.5	3.5	15	15
	E(C,T)S03	2.3	3.0	11.1	12.5	7.8	10.2	17.0	19.1	20	20
	E(C,T)S05	3.8	5.0	18.3	20.8	13.0	17.1	25.1	28.5	30	30
	E(C,T)S08	6.1	8.0	29.3	33.3	20.8	27.3	39.6	45.2	40	50
	E(C,T)S10	7.6	10.0	36.5	41.7	25.9	34.1	46.8	53.5	50	60
AEM 30/31	E(C,T)M00	0.0	0.0	0.0	0.0	0.0	0.0	5.1	5.1	15	15
	E(C,T)M03	2.3	3.0	11.1	12.5	7.8	10.2	18.6	20.8	20	25
	E(C,T)M05	3.8	5.0	18.3	20.8	13.0	17.1	26.8	30.1	30	35
	E(C,T)M08	6.1	8.0	29.3	33.3	20.8	27.3	41.3	46.8	45	50
	E(C,T)M10	7.6	10.0	36.5	41.7	25.9	34.1	48.4	55.1	50	60
	E(C,T)M15	11.3	15.0	54.3	62.5	38.6	51.2	48.4/21.6	55.1/25	50/25	60/25
AEM 36/37	E(C,T)M00	0.0	0.0	0.0	0.0	0.0	0.0	5.1	5.1	15	15
	E(C,T)M03	2.3	3.0	11.1	12.5	7.8	10.2	18.6	20.8	20	25
	E(C,T)M05	3.8	5.0	18.3	20.8	13.0	17.1	26.8	30.1	30	35
	E(C,T)M08	6.1	8.0	29.3	33.3	20.8	27.3	41.3	46.8	45	50
	E(C,T)M10	7.6	10.0	36.5	41.7	25.9	34.1	48.4	55.1	50	60
	E(C,T)M15	11.3	15.0	54.3	62.5	38.6	51.2	48.4/21.6	55.1/25	50/25	60/25
AEM 42/43/48/49/60/61/62	E(C,T)L00	0.0	0.0	0.0	0.0	0.0	0.0	9.5	9.5	15	15
	E(C,T)L05	3.8	5.0	18.3	20.8	13.0	17.1	31.1	34.5	35	35
	E(C,T)L10	7.6	10.0	36.5	41.7	25.9	34.1	52.8	59.5	60	60
	E(C,T)L15	11.3	15.0	54.3	62.5	38.6	51.2	52.8/21.6	59.5/25	60/25	60/25
	E(C,T)L20	15.0	20.0	72.1	83.3	51.2	68.3	52.8/43.3	59.5/50	60/45	60/50
	E(C,T)L25	18.8	25.0	90.4	104.2	64.2	85.3	52.8/43.3/21.6	59.5/50/25	60/45/25	60/50/25

**ELECTRIC HEAT KIT NOMENCLATURE**

HEAT KIT SERIES	POWER CONNECTION	CABINET SIZE & NOM. TONN.	HEAT STRIP
E	C	S/M/L	KW
ELECTRIC HEAT	C = CIRCUIT BREAKER T = TERMINAL BLOCK	S = 18-25 M = 30-17 L = 42-62	03 = 3 KW 05 = 5 KW 06 = 6 KW 08 = 8 KW 10 = 10 KW 15 = 15 KW 20 = 20 KW 25 = 25 KW

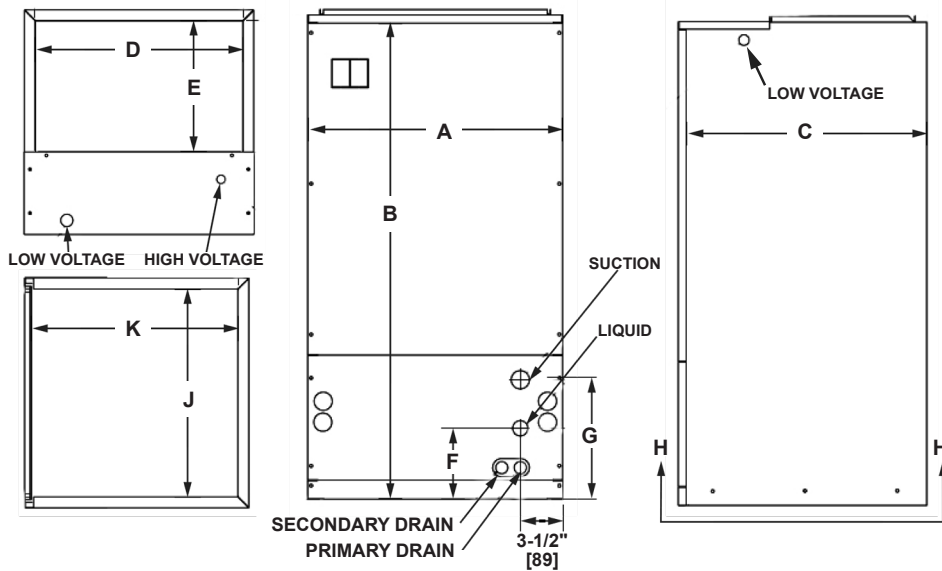
**AIR HANDLER CHASSIS NOMENCLATURE**

AEM	NOM. TON.	METERING DEVICE	OPTION CODE	
240V CONSTANT TORQUE ECM MULTI-POSITION AIR HANDLER	18 = 18,000 24 = 24,000 30 = 30,000 36 = 36,000 42 = 42,000 60 = 60,000	F	-001	
		<b>A1 REFRIGERANTS - R410A + R22</b>		CUSTOM OPTIONS
		X = R22 (TXV NON-BLEED AC/HP) B = R22 (TXV 20% BLEED AC/HP) F = R22 (FLOWRATOR)	4 = R410A (TXV NON-BLEED AC/HP) G = R410A (FLOWRATOR)	
		<b>A2L REFRIGERANTS - R454B + R32</b>		
J = R454B (TXV NON-BLEED AC/HP) K = R454B (TXV 20% BLEED AC/HP) Z = R454B/R32 CONFIGURABLE (Shipped with R454B Piston)	D = R32 (TXV NON-BLEED AC /HP) N = R454B (PISTON) M = R32 (PISTON)			



BLOWER DATA										
MODEL	240V ECM MOTOR			CFM VS EXTERNAL STATIC PRESSURE (WET COIL)						
	SPEED TAP	HP	AMP	0.1	0.2	0.3	0.4	0.5	0.6	0.7
AEM 18/19/ 24/25	T5	1/3	2.8	932	894	862	827	800	762	-
	T4	1/3	2.8	750	706	674	627	600	561	-
	T3	1/3	2.8	600	565	539	502	480	449	-
	T2	1/3	2.8	750	706	674	627	600	561	-
	T1	1/3	2.8	932	894	862	827	800	762	-
AEM 30/31/ 36/37	T5	1/2	4.1	1291	1280	1252	1227	1200	1171	-
	T4	1/2	4.1	1122	1091	1066	1034	1000	982	-
	T3	1/2	4.1	898	873	853	827	800	786	-
	T2	1/2	4.1	745	698	668	630	600	558	-
	T1	1/2	4.1	1291	1280	1252	1227	1200	1171	-
AEM 42/43/ 48/49/ 60/61/ 62	T5	1	7.6	2018	1987	1961	1922	1889	1856	1823
	T4	1	7.6	1738	1696	1667	1636	1598	1566	1527
	T3	1	7.6	1546	1521	1482	1439	1396	1360	1321
	T2	1	7.6	1367	1342	1303	1260	1217	1181	1142
	T1	1	7.6	2018	1987	1961	1922	1889	1856	1823

**FIGURE 1**



**AEM DIMENSIONS (In.)[mm.] - FIGURE 1**

MODEL	A	B	C	D	E	F	G	J	K	FILTER	SHIPPING INFO.	
										1" DEPTH	WEIGHT	QTY
AEM 18	21 [533]	40 [1016]	20-1/2 [521]	18-3/4 [476]	12 [305]	7-1/4 [184]	10-1/4 [260]	18-1/2 [470]	18-1/2 [470]	16X20	99	4
AEM 19/24/25	21 [533]	40 [1016]	20-1/2 [521]	18-3/4 [476]	12 [305]	8-1/4 [209]	12-1/4 [311]	18-1/2 [470]	18-1/2 [470]	16X20	100	
AEM 30	21 [533]	49-1/4 [1251]	20-1/2 [521]	18-3/4 [476]	12 [305]	8-1/4 [209]	14-1/4 [362]	18-1/2 [470]	18-1/2 [470]	16X20	118	
AEM 36	21 [533]	49-1/4 [1251]	20-1/2 [521]	18-3/4 [476]	12 [305]	10-1/4 [260]	16-1/4 [412]	18-1/2 [470]	18-1/2 [470]	16X20	118	
AEM 31/37	21 [533]	49-1/4 [1251]	20-1/2 [521]	18-3/4 [476]	12 [305]	10-1/4 [260]	16-1/4 [412]	18-1/2 [470]	18-1/2 [470]	16X20	147	
AEM 42	24-1/2 [622]	57 [1448]	20-1/2 [521]	22-1/4 [565]	14-3/4 [375]	11 [279]	16 [406]	22 [559]	18-1/2 [470]	20X20	153	
AEM 48	24-1/2 [622]	57 [1448]	20-1/2 [521]	22-1/4 [565]	14-3/4 [375]	13 [330]	18 [457]	22 [559]	18-1/2 [470]	20X20	180	
AEM 43/49/60/62	24-1/2 [622]	57 [1448]	20-1/2 [521]	22-1/4 [565]	14-3/4 [375]	13 [330]	18 [457]	22 [559]	18-1/2 [470]	20X20	180	
AEM 61	24-1/2 [622]	57 [1448]	20-1/2 [521]	22-1/4 [565]	14-3/4 [375]	15 [381]	20 [508]	22 [559]	18-1/2 [470]	20X20	200	

In keeping with its commitment to continuous improvement, Aspen Manufacturing reserves the right to make changes without notice and incurring obligation. To stay up-to-date with this product and Aspen's trusted line of coils, air handlers, and more, go to our website. © 2026 Aspen Manufacturing. All Rights Reserved

Phone: 281.441.6500 Toll Free: 800.423.9007 Fax: 281.441.6510 Customer Service: info@aspenmfg.com Warranty Team: warranty@aspenmfg.com

# LAM SERIES

- ▶ ALUMINUM
- ▶ ELECTRIC



*Unit shown with service panels removed. Representative image only. Some models may vary in appearance.*

## APPLICATION VERSATILITY

Upflow or horizontal right as shipped (field-convertible for downflow or horizontal left applications). Can be AHRI certified with most brands of air conditioners or heat pumps.

- A2L refrigerants require a Refrigerant Detection System (RDS) for compliance. In accordance to UL 60335 Refrigerant Detection Systems are factory-installed on A2L refrigerant ready air handlers.
- ETL listed for R22, R410A, R454B, and R32 refrigerants (A2L refrigerants certified with Refrigerant Detection System (RDS)).

## 240V PSC MOTOR

The 240V PSC Motor with Electric Heat Option features a direct drive, multi-speed blower that delivers quiet and efficient air circulation. A two-speed motor allows for precise airflow selection, while clearly labeled motor terminals make speed adjustments simple and accurate. The plate-mounted blower assembly enables quick removal for easy service and maintenance. Built for reliability and consistent performance, this motor option is ideal for electric heat applications.

## BLOWER

Direct drive blowers circulate air quietly and efficiently. Blowers mounted on rails so they can be easily removed for service.

## ELECTRONIC CONTROL BOARD

An electronic board controls the functioning of the system reducing moving parts. The board provides a blower time delay to maximize heat/cool extraction and offers an integrated fuse for additional protection.

## LOW LEAKAGE CABINET

Sturdy, fully insulated galvanized steel. Less than 2% air leakage from cabinet when tested in accordance with ASHRAE standard 193. Unit must be installed according to installation instructions.

## ALL ALUMINUM COIL

High-Efficiency rifled aluminum tubes and enhanced aluminum fins provide maximum heat transfer. All coils factory leak tested with Multi-stage leak testing at 500 psi pressure decay, mass spectrometer tested with Helium, then Nitrogen pressurized and factory sealed optimal system integrity and long-term reliability. Coil mounted Schrader valve allows pre-installation pressure assurance testing.

Available with either factory installed orifice or TXV metering device. Access door allows or easy coil cleaning.

## MODULAR ELECTRIC HEAT KITS

Heat kits available with either circuit breakers or terminal blocks. Available from 3 to 25 KW. Models with electric heat include sequencers and temperature limit switches for safe, efficient operation. Modules are easily installed in the field using molex plugs or can be ordered factory-installed. Controls are accessible from the front for easy service. Electrical connections can be made from the top or left. Disconnect does not protrude through the wall panel. Fan time delay relay standard for increased efficiency.

**WARRANTY** Ten-year limited warranty with registration.

**OPTIONS** Ask your local Aspen Sales Rep for customization options.

## DUAL REFRIGERANT

### UNIVERSAL A2L REFRIGERANT TECHNOLOGY FOR R32 & R454B SYSTEMS

#### IDEAL FOR USE WITH ASPEN AIR HANDLERS, AS WELL AS CASED & UNCASSED COILS!

Versa Dual Refrigerant Coils are easily configurable for use with either R32 or R454B refrigerant with proper metering device. Utilizing universal Refrigerant Detection Systems (RDS) to ensure regulatory compliance.

#### OTHER POPULAR CUSTOM OPTION:

Factory or field-installed TXV available.

#### DOWNFLOW KIT OPTIONS:

##### METAL DRAIN PANS

- 16" DWNFLWM-16
- 18" DWNFLWM-18

##### PLASTIC DRAIN PANS

DWNFLWP

R51341 11/25



In keeping with its commitment to continuous improvement, Aspen Manufacturing reserves the right to make changes without notice and incurring obligation. To stay up-to-date with this product and Aspen's trusted line of coils, air handlers, and more, go to our website. © 2026 Aspen Manufacturing. All Rights Reserved

LAM SERIES: HEATING / COOLING PERFORMANCE & ELECTRICAL DATA

MULTI-POSITION  
AIR HANDLERS

MODEL	PERFORMANCE DATA							ELECTRICAL DATA			
	NOMINAL COOLING	ELECTRIC HEAT KIT MODEL	MIN SPEED TAP	HEATING (KW)		HEATING CAPACITY (MBUTH)		MIN. CIRCUIT AMPACITY (MCA)		MAX. BREAKER OR FUSE SIZE	
				208V	240V	208V	240V	208V	240V	208V	240V
LAM 24 / 25	24,000	E(C,T)S00	-	0.0	0.0	0.0	0.0	1.8	1.8	15A	15A
		E(C,T)S03	LO	2.3	3.0	7.8	10.2	15.3	17.4	20A	20A
		E(C,T)S05	LO	3.6	4.8	12.3	16.4	23.4	26.8	25A	30A
		E(C,T)S06	LO	4.5	6.0	15.3	20.5	28.8	33.0	30A	35A
		E(C,T)S08	HI	6.0	8.0	20.5	27.3	37.8	43.4	40A	45A
		E(C,T)S10	HI	7.2	9.6	24.6	32.7	45.0	51.8	45A	60A
LAM 26	24,000	E(C,TM)00	-	0.0	0.0	0.0	0.0	3.3	3.3	15A	15A
		E(C,T)M03	HI	2.3	3.0	7.8	10.2	16.8	18.9	20A	20A
		E(C,T)M05	HI	3.6	4.8	12.3	16.4	24.9	28.3	25A	30A
		E(C,T)M06	HI	4.5	6.0	15.3	20.5	30.3	34.5	35A	35A
		E(C,TM)08	HI	6.0	8.0	20.5	27.3	39.3	44.9	40A	45A
		E(C,T)M10	HI	7.2	9.6	24.6	32.7	46.5	53.3	50A	60A
LAM 30 / 31 / 32	30,000	E(C,TM)00	-	0.0	0.0	0.0	0.0	3.3	3.3	15A	15A
		E(C,T)M03	HI	2.3	3.0	7.8	10.2	16.8	18.9	20A	20A
		E(C,T)M05	HI	3.6	4.8	12.3	16.4	24.9	28.3	25A	30A
		E(C,T)M06	HI	4.5	6.0	15.3	20.5	30.3	34.5	35A	35A
		E(C,TM)08	HI	6.0	8.0	20.5	27.3	39.3	44.9	40A	45A
		E(C,T)M10	HI	7.2	9.6	24.6	32.7	46.5	53.3	50A	60A
		E(C,T)M15	HI	7.2 / 3.6	9.6 / 4.8	24.6 / 12.3	32.7 / 16.4	46.5 / 21.6	53.3 / 25	50A / 25A	60A / 25A
LAM 36 / 37 / 38	36,000	E(C,TM)00	-	0.0	0.0	0.0	0.0	3.3	3.3	15A	15A
		E(C,T)M03	HI	2.3	3.0	7.8	10.2	16.8	18.9	20A	20A
		E(C,T)M05	HI	3.6	4.8	12.3	16.4	24.9	28.3	25A	30A
		E(C,T)M06	HI	4.5	6.0	15.3	20.5	30.3	34.5	35A	35A
		E(C,TM)08	HI	6.0	8.0	20.5	27.3	39.3	44.9	40A	45A
		E(C,T)M10	HI	7.2	9.6	24.6	32.7	46.5	53.3	50A	60A
		E(C,T)M15	HI	7.2 / 3.6	9.6 / 4.8	24.6 / 12.3	32.7 / 16.4	46.5 / 21.6	53.3 / 25	50A / 25A	60A / 25A

In keeping with its commitment to continuous improvement, Aspen Manufacturing reserves the right to make changes without notice and incurring obligation. To stay up-to-date with this product and Aspen's trusted line of coils, air handlers, and more, go to our website. © 2026 Aspen Manufacturing. All Rights Reserved

Phone: 281.441.6500 Toll Free: 800.423.9007 Fax: 281.441.6510 Customer Service: info@aspenmfg.com Warranty Team: warranty@aspenmfg.com





**(...CONTINUED) LAM SERIES: HEATING / COOLING PERFORMANCE & ELECTRICAL DATA**

MODEL	PERFORMANCE DATA							ELECTRICAL DATA			
	NOMINAL COOLING	ELECTRIC HEAT KIT MODEL	MIN SPEED TAP	HEATING (KW)		HEATING CAPACITY (MBUTH)		MIN. CIRCUIT AMPACITY (MCA)		MAX. BREAKER OR FUSE SIZE	
				208V	240V	208V	240V	208V	240V	208V	240V
LAM 42 / 43	42,000	E(C,T)L00	-	0.0	0.0	0.0	0.0	5.5	5.5	15A	15A
		E(C,T)L03	LO	2.3	3.0	7.8	10.2	19.0	21.1	20A	25A
		E(C,T)L05	LO	3.6	4.8	12.3	16.4	27.1	30.5	30A	35A
		E(C,T)L06	LO	4.5	6.0	15.3	20.5	32.5	36.8	35A	40A
		E(C,T)L08	LO	6.0	8.0	20.5	27.3	41.6	47.2	45A	50A
		E(C,T)L10	LO	7.2	9.6	24.6	32.7	48.8	55.5	50A	60A
		E(C,T)L15	LO	7.2 / 3.6	9.6 / 4.8	24.6 / 12.3	32.7 / 16.4	48.8 / 21.6	55.5 / 25	50A / 25A	60A / 25A
		E(C,T)L20	LO	7.2 / 7.2	9.6 / 9.6	24.6 / 24.6	32.7 / 32.7	48.8 / 43.3	55.5 / 50	50A / 45A	60A / 50A
		E(C,T)L25	LO	7.2 / 7.2 / 3.6	9.6 / 9.6 / 4.8	24.6 / 24.6 / 12.3	32.7 / 32.7 / 16.4	48.8 / 43.3 / 21.6	55.5 / 50 / 25	50A / 45A / 25A	60A / 50A / 25A
LAM 48 / 49	48,000	E(C,T)L00	-	0.0	0.0	0.0	0.0	5.5	5.5	15A	15A
		E(C,T)L03	LO	2.3	3.0	7.8	10.2	19.0	21.1	20A	25A
		E(C,T)L05	LO	3.6	4.8	12.3	16.4	27.1	30.5	30A	35A
		E(C,T)L06	LO	4.5	6.0	15.3	20.5	32.5	36.8	35A	40A
		E(C,T)L08	LO	6.0	8.0	20.5	27.3	41.6	47.2	45A	50A
		E(C,T)L10	LO	7.2	9.6	24.6	32.7	48.8	55.5	50A	60A
		E(C,T)L15	LO	7.2 / 3.6	9.6 / 4.8	24.6 / 12.3	32.7 / 16.4	48.8 / 21.6	55.5 / 25	50A / 25A	60A / 25A
		E(C,T)L20	LO	7.2 / 7.2	9.6 / 9.6	24.6 / 24.6	32.7 / 32.7	48.8 / 43.3	55.5 / 50	50A / 45A	60A / 50A
		E(C,T)L25	LO	7.2 / 7.2 / 3.6	9.6 / 9.6 / 4.8	24.6 / 24.6 / 12.3	32.7 / 32.7 / 16.4	48.8 / 43.3 / 21.6	55.5 / 50 / 25	50A / 45A / 25A	60A / 50A / 25A
LAM 60 / 61 / 62	60,000	E(C,T)L00	-	0.0	0.0	0.0	0.0	5.5	5.5	15A	15A
		E(C,T)L03	LO	2.3	3.0	7.8	10.2	19.0	21.1	20A	25A
		E(C,T)L05	LO	3.6	4.8	12.3	16.4	27.1	30.5	30A	35A
		E(C,T)L06	LO	4.5	6.0	15.3	20.5	32.5	36.8	35A	40A
		E(C,T)L08	LO	6.0	8.0	20.5	27.3	41.6	47.2	45A	50A
		E(C,T)L10	LO	7.2	9.6	24.6	32.7	48.8	55.5	50A	60A
		E(C,T)L15	LO	7.2 / 3.6	9.6 / 4.8	24.6 / 12.3	32.7 / 16.4	48.8 / 21.6	55.5 / 25	50A / 25A	60A / 25A
		E(C,T)L20	LO	7.2 / 7.2	9.6 / 9.6	24.6 / 24.6	32.7 / 32.7	48.8 / 43.3	55.5 / 50	50A / 45A	60A / 50A
		E(C,T)L25	LO	7.2 / 7.2 / 3.6	9.6 / 9.6 / 4.8	24.6 / 24.6 / 12.3	32.7 / 32.7 / 16.4	48.8 / 43.3 / 21.6	55.5 / 50 / 25	50A / 45A / 25A	60A / 50A / 25A

In keeping with its commitment to continuous improvement, Aspen Manufacturing reserves the right to make changes without notice and incurring obligation. To stay up-to-date with this product and Aspen's trusted line of coils, air handlers, and more, go to our website. © 2026 Aspen Manufacturing. All Rights Reserved



LAM HIGH-EFFICIENCY HEATING/COOLING PERFORMANCE & ELECTRICAL DATA													
MODEL	PERFORMANCE DATA									ELECTRICAL DATA			
	NOMINAL COOLING	ELECTRIC HEAT KIT MODEL	MIN SPEED TAP	HEATING (KW)		HEAT KIT		HEATING CAPACITY (MBTUH)		MIN. CIRCUIT AMPACITY (MCA)		MAX. BREAKER OR FUSE SIZE	
				208V	240V	208V	240V	208V	240V	208V	240V	208V	240V
LAM 24B*	24,000	N(C,T)S00	NA	0.0	0.0	0.0	0.0	2.8	2.8	15	15	15	15
		N(C,T)S03	LOW	2.3	3.0	7.8	10.2	16.3	18.4	20	20	20	20
		N(C,T)S05	LOW	3.6	4.8	12.3	16.4	24.4	27.8	25	30	25	30
		N(C,T)S06	LOW	4.5	6.0	15.3	20.5	29.8	34	30	35	30	35
		N(C,T)S08	LOW	6.0	8.0	20.5	27.3	38.8	44.4	40	45	40	45
		N(C,T)S10	MED	7.2	9.6	24.6	32.7	46	52.8	50	60	50	60

BLOWER DATA												
MODEL	MOTOR (HP)	FLA	SPEED TAP	CFM VS EXTERNAL STATIC								
				0.1	0.2	0.3	0.4	0.5	0.6	0.7	0.8	
<b>LAM SERIES</b>												
LAM 24/25	1/5	1.4	LOW	835	800	790	750	695	-	-	-	-
			HIGH	915	880	875	825	770	-	-	-	-
LAM 26/30/31/32/36/37/38	1/3	2.8	LOW	1130	1100	1050	1000	960	-	-	-	-
			HIGH	1410	1350	1280	1200	1160	-	-	-	-
LAM 42/43/48/49/60/61/62	3/4	4.4	LOW	1520	1500	1485	1460	1440	-	-	-	-
			MID	1700	1675	1640	1620	1575	-	-	-	-
			HIGH	2060	2020	1980	1935	1885	-	-	-	-
<b>LAM SERIES HIGH-EFFICIENCY</b>												
LAM24B*	1/3	2.2	LOW	935	890	840	785	735	650	580	385	-
			MID	965	915	865	810	750	690	610	390	-
			HIGH	975	925	875	825	770	705	545	435	-

AIR HANDLER CHASSIS NOMENCLATURE				
LAM SERIES:				
LAM	18	F		-001
LAM= 240V PSC Multi-Position Air Handler	Nominal Tonnage	METERING DEVICE		OPTION CODE
		<b>4</b> = R410A (TXV NON-BLEED A/C OR H/P) <b>G</b> = R410A (PISTON) <b>X</b> = R22 (TXV NON-BLEED A/C OR H/P) <b>B</b> = R22 (TXV 20% BLEED A/C OR H/P) <b>F</b> = R22 (PISTON)	<b>J</b> = R454B (TXV NON-BLEED A/C OR H/P) <b>K</b> = R454B (TXV 20% BLEED A/C OR H/P) <b>N</b> = R454B (PISTON) <b>D</b> = R32 (TXV NON-BLEED A/C OR H/P) <b>M</b> = R32 (PISTON)	

LAM SERIES (HIGH EFFICIENCY)					
LAM	24	B	G		-000
LAM= 240V PSC Multi-Position Air Handler	Nominal Tonnage	<b>B</b> = Coil size (slab size, depth, rows)	METERING DEVICE		OPTION CODE
			<b>4</b> = R410A (TXV NON-BLEED A/C OR H/P) <b>G</b> = R410A (PISTON) <b>X</b> = R22 (TXV NON-BLEED A/C OR H/P) <b>B</b> = R22 (TXV 20% BLEED A/C OR H/P) <b>F</b> = R22 (PISTON)	<b>J</b> = R454B (TXV NON-BLEED A/C OR H/P) <b>K</b> = R454B (TXV 20% BLEED A/C OR H/P) <b>N</b> = R454B (PISTON) <b>D</b> = R32 (TXV NON-BLEED A/C OR H/P) <b>M</b> = R32 (PISTON)	

In keeping with its commitment to continuous improvement, Aspen Manufacturing reserves the right to make changes without notice and incurring obligation. To stay up-to-date with this product and Aspen's trusted line of coils, air handlers, and more, go to our website. © 2026 Aspen Manufacturing. All Rights Reserved

Phone: 281.441.6500 Toll Free: 800.423.9007 Fax: 281.441.6510 Customer Service: info@aspenmfg.com Warranty Team: warranty@aspenmfg.com

**ELECTRIC HEAT KIT NOMENCLATURE**

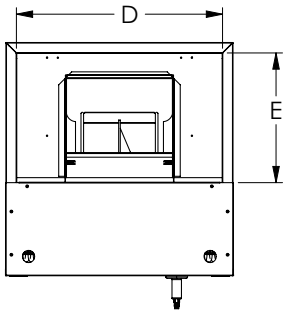
LAM SERIES STANDARD			
HEAT KIT SERIES	POWER CONNECTION	CABINET SIZE & NOM. TON.	HEAT STRIP
E	C	S/L	03
ELECTRIC HEAT	C = CIRCUIT BREAKER T = TERMINAL BLOCK	S = 24-38 L = 42-62	00 = 0 KW    10 = 10 KW 03 = 3 KW    15 = 15 KW 05 = 5 KW    20 = 20 KW 06 = 6 KW    25 = 25 KW 08 = 8 KW
LAM SERIES HIGH-EFFICIENCY			
N	C	S	03
ELECTRIC HEAT	C = CIRCUIT BREAKER T = TERMINAL BLOCK	S 24(B)	00 = 0 KW    10 = 10 KW 03 = 3 KW    05 = 5 KW 06 = 6 KW    08 = 8 KW

**LAM DIMENSIONS (In.)[mm.] - FIGURE 1**

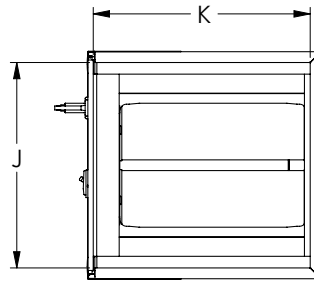
MODEL	A	B	C	D	E	F	G	J	K	FILTER	SHIPPING INFO	
											WEIGHT	QTY
<b>LAM SERIES STANDARD</b>												
LAM 24/25	21 [533]	40 [1016]	20-1/2 [521]	18-3/4 [476]	12 [305]	8-1/4 [210]	12-1/4 [311]	18-1/2 [470]	18-1/2 [470]	16X20	99	4
LAM 30/32	21 [533]	49-1/4 [1251]	20-1/2 [521]	18-3/4 [476]	12 [305]	8-1/4 [210]	14-1/4 [362]	18-1/2 [470]	18-1/2 [470]	16X20	118	4
LAM 26/36/38	21 [533]	49-1/4 [1251]	20-1/2 [521]	18-3/4 [476]	12 [305]	10-1/4 [260]	16-1/4 [413]	18-1/2 [470]	18-1/2 [470]	16X20	118	4
LAM 31/37	21 [533]	49-1/4 [1251]	20-1/2 [521]	18-3/4 [476]	12 [305]	12-1/4 [311]	18-1/4 [464]	18-1/2 [470]	18-1/2 [470]	16X20	147	4
LAM 42	24-1/2 [622]	57 [1448]	20-1/2 [521]	22-1/4 [565]	14-3/4 [375]	11 [279]	16 [406]	22 [559]	18-1/2 [470]	20X20	153	4
LAM 48/62	24-1/2 [622]	57 [1448]	20-1/2 [521]	22-1/4 [565]	14-3/4 [375]	13 [330]	18 [457]	22 [559]	18-1/2 [470]	20X20	180	4
LAM 43/49/60	24-1/2 [622]	57 [1448]	20-1/2 [521]	22-1/4 [565]	14-3/4 [375]	13 [330]	18 [457]	22 [559]	18-1/2 [470]	20X20	180	4
LAM 61	24-1/2 [622]	57 [1448]	20-1/2 [521]	22-1/4 [565]	14-3/4 [375]	15 [381]	20 [508]	22 [559]	18-1/2 [470]	20X20	200	4
<b>LAM SERIES HIGH-EFFICIENCY</b>												
LAM24B*	14-1/2 [368]	40 [1016]	21-1/2 [546]	12-1/2 [318]	12 [305]	9 [229]	5 [127]	12-1/2 [218]	20 [508]	12X20	92	6

In keeping with its commitment to continuous improvement, Aspen Manufacturing reserves the right to make changes without notice and incurring obligation. To stay up-to-date with this product and Aspen's trusted line of coils, air handlers, and more, go to our website. © 2026 Aspen Manufacturing. All Rights Reserved

TOP VIEW

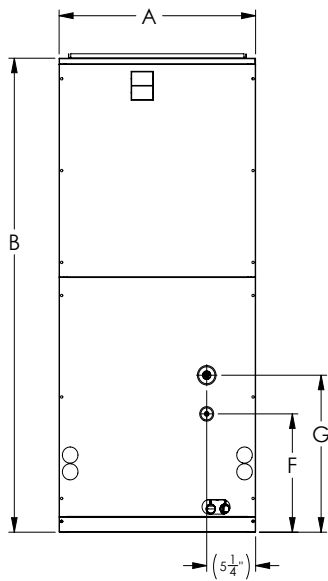


BOTTOM OPENING VIEW

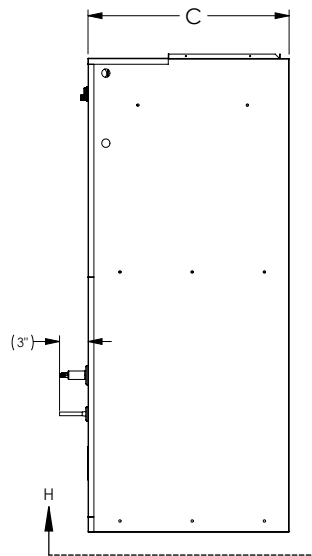


VIEW H-H

FRONT VIEW



SIDE VIEW



**SUCTION LINE:**  
1.5T to 3.0T = 3/4"  
3.5T to 5.0T = 7/8"  
**LIQUID LINE:** 3/8"  
**DRAIN PORT THREAD:**  
3/4" NPT (FEMALE)

In keeping with its commitment to continuous improvement, Aspen Manufacturing reserves the right to make changes without notice and incurring obligation. To stay up-to-date with this product and Aspen's trusted line of coils, air handlers, and more, go to our website. © 2026 Aspen Manufacturing. All Rights Reserved

Phone: 281.441.6500 Toll Free: 800.423.9007 Fax: 281.441.6510 Customer Service: info@aspenmfg.com Warranty Team: warranty@aspenmfg.com

# LEM SERIES (HIGH-EFFICIENCY)

- ▶ ALUMINUM
- ▶ ELECTRIC



*Unit shown with service panels removed. Representative image only. Some models may vary in appearance.*

### APPLICATION VERSATILITY

Upflow or horizontal right as shipped (field convertible for downflow or horizontal left applications). Can be AHRI certified with most brands of air conditioners or heat pumps.

- A2L refrigerants require a Refrigerant Detection System (RDS) for compliance. In accordance to UL 60335 Refrigerant Detection Systems are factory-installed on A2L refrigerant ready air handlers.
- ETL listed for R22, R410A, R454B, and R32 refrigerants (A2L refrigerants certified with Refrigerant Detection System (RDS)).

### 240V CONSTANT TORQUE ECM MOTOR

Pre-programmed, 5-speed, 208V/240V ECM motors that ensure higher efficiency and increased energy savings by delivering constant torque during operation. Motors are pre-programmed with speeds and torques at the factory for optimal performance and reliability. Direct drive blowers circulate air quietly and efficiently. Rail mounted blowers provide easy removal for service and maintenance.

### BLOWER

Direct drive blowers circulate air quietly and efficiently. Motor speeds can be easily selected via motor terminals. Blowers mounted on rails so they can be easily removed for service.

### ELECTRONIC CONTROL BOARD

Electronic circuit board provides 30 secs ON/OFF blower time delay extracting more heat/cool from the coil. Automotive-style pull fuse protection on the circuit board to provide low voltage and transformer protection.

### LOW LEAKAGE CABINET

Sturdy, fully insulated galvanized steel cabinet with knockout for duct return. Less than 2% air leakage from cabinet when tested in accordance with ASHRAE standard 193. Unit must be installed according to installation instructions.

### DX COIL

High-Efficiency rifled aluminum tubes and enhanced aluminum fins provide maximum heat transfer. All coils factory leak tested with Multi-stage leak testing at 500 psi pressure decay, mass spectrometer tested with Helium, then Nitrogen pressurized and factory sealed optimal system integrity and long-term reliability. Coil mounted Schrader valve allows pre-installation pressure assurance testing.

Available with either factory-installed orifice or TXV metering device. Field-installable bolt-on TXVs are also available. Access door allows for easy coil cleaning.

### MODULAR ELECTRIC HEAT KITS

Heat kits available with either circuit breakers or terminal blocks. Available from 3 to 25 KW. Models with electric heat include sequencers and temperature limit switches for safe, efficient operation. Modules are easily installed in the field using molex plugs or can be ordered factory-installed. Controls are accessible from the front for easy service. Electrical connections can be made from the top or left. Disconnect does not protrude through the wall panel. Fan time delay relay standard for increased efficiency.

**WARRANTY** Ten-year limited warranty with registration. **OPTIONS** Ask your local Aspen Sales Rep for customization options.

### DUAL REFRIGERANT

#### UNIVERSAL A2L REFRIGERANT TECHNOLOGY FOR R32 & R454B SYSTEMS

#### IDEAL FOR USE WITH ASPEN AIR HANDLERS, AS WELL AS CASED & UNCASSED COILS!

Versa Dual Refrigerant Coils are easily configurable for use with either R32 or R454B refrigerant with proper metering device. Utilizing universal Refrigerant Detection Systems (RDS) to ensure regulatory compliance.

#### OTHER POPULAR CUSTOM OPTION:

Factory or field-installed TXV available.

#### DOWNFLOW KIT OPTION:

#### PLASTIC DRAIN PANS

DWNFLWP-175

R51341 11/25



In keeping with its commitment to continuous improvement, Aspen Manufacturing reserves the right to make changes without notice and incurring obligation. To stay up-to-date with this product and Aspen's trusted line of coils, air handlers, and more, go to our website. © 2026 Aspen Manufacturing. All Rights Reserved



LEM SERIES HIGH-EFFICIENCY: HEATING/COOLING PERFORMANCE & ELECTRICAL DATA										
MODEL	PERFORMANCE DATA						ELECTRICAL DATA			
	ELECTRIC HEAT KIT MODEL	MIN SPEED TAP	HEATING (KW)		HEATING CAPACITY (MBTUH)		MIN. CIRCUIT AMPACITY (MCA)		MAX. BREAKER OR FUSE SIZE	
			208V	240V	208V	240V	208V	240V	208V	240V
LEM24A-E LEM36L	N(C,T)S00	-	0.0	0.0	0.0	0.0	3.5	3.5	15	15
	N(C,T)S03	T2	2.3	3.0	7.8	10.2	17.0	19.1	20	20
	N(C,T)S05	T2	3.6	4.8	12.3	16.4	25.1	28.5	30	30
	N(C,T)S06	T2	4.5	6.0	15.4	20.5	30.5	34.8	35	35
	N(C,T)S08	T3	6.0	8.0	20.5	27.3	39.6	45.2	40	50
	N(C,T)S10	T3	7.2	9.6	24.6	32.8	46.8	53.5	50	60
LEM24F-K LEM36A-E LEM48L	N(C,T)M00	-	0.0	0.0	0.0	0.0	5.1	5.1	15	15
	N(C,T)M03	T3	2.3	3.0	7.8	10.2	18.6	20.8	20	25
	N(C,T)M05	T3	3.6	4.8	12.3	16.4	26.8	30.1	30	35
	N(C,T)M06	T3	4.5	6.0	15.4	20.5	32.2	36.4	35	40
	N(C,T)M08	T4	6.0	8.0	20.5	27.3	41.2	46.8	45	50
	N(C,T)M10	T4	7.2	9.6	24.6	32.8	48.4	55.1	50	60
	N(C,T)M15	T4	7.2 / 3.6	9.6 / 4.8	36.8	49.1	48.4 / 21.6	55.1 / 25	50 / 25	60 / 25
LEM36F-J LEM48A-E *LEM60A-E	N(C,T)L00	-	0.0	0.0	0.0	0.0	9.5	9.5	15	15
	N(C,T)L03	T2	2.3	3.0	7.8	10.2	23	25.1	25	30
	N(C,T)L05	T2	3.6	4.8	12.3	16.4	31.1	34.5	35	35
	N(C,T)L06	T2	4.5	6.0	15.4	20.5	36.5	40.8	40	45
	N(C,T)L08	T3	6.0	8.0	20.5	27.3	45.6	51.2	50	60
	N(C,T)L10	T3	7.2	9.6	24.6	32.8	52.8	59.5	60	60
	N(C,T)L15	T3	7.2 / 3.6	9.6 / 4.8	36.8	49.1	52.8 / 21.6	59.5 / 25	60 / 25	60 / 25
	*N(C,T)L20	T3	7.2 / 7.2	9.6 / 9.6	49.1	65.5	52.8 / 43.3	59.5 / 50	60 / 45	60 / 50
*LEM60K-M	N(C,T)L00	-	0.0	0.0	0.0	0.0	9.5	9.5	15	15
	N(C,T)L03	T1	2.3	3.0	7.8	10.2	23	25.1	25	30
	N(C,T)L05	T1	3.6	4.8	12.3	16.4	31.1	34.5	35	35
	N(C,T)L06	T1	4.5	6.0	15.4	20.5	36.5	40.8	40	45
	N(C,T)L08	T2	6.0	8.0	20.5	27.3	45.6	51.2	50	60
	N(C,T)L10	T2	7.2	9.6	24.6	32.8	52.8	59.5	60	60
	N(C,T)L15	T2	7.2 / 3.6	9.6 / 4.8	36.8	49.1	52.8 / 21.6	59.5 / 25	60 / 25	60 / 25
	*N(C,T)L20	T2	7.2 / 7.2	9.6 / 9.6	49.1	65.5	52.8 / 43.3	59.5 / 50	60 / 45	60 / 50
LEM48F-J LEM60F-J	N(C,T)X00	-	0.0	0.0	0.0	0.0	9.5	9.5	15	15
	N(C,T)X03	T2	2.3	3.0	7.8	10.2	23	25.1	25	30
	N(C,T)X05	T2	3.6	4.8	12.3	16.4	31.1	34.5	35	35
	N(C,T)X06	T2	4.5	6.0	15.4	20.5	36.5	40.8	40	45
	N(C,T)X08	T2	6.0	8.0	20.5	27.3	45.6	51.2	50	60
	N(C,T)X10	T2	7.2	9.6	24.6	32.8	52.8	59.5	60	60
	N(C,T)X15	T2	7.2 / 3.6	9.6 / 4.8	36.8	49.1	52.8 / 21.6	59.5 / 25	60 / 25	60 / 25
	N(C,T)X20	T2	7.2 / 7.2	9.6 / 9.6	49.1	65.5	52.8 / 43.3	59.5 / 50	60 / 45	60 / 50

NOTE: \* = The N(C,T)L20 is only available for the LEM60(A-E) & LEM60(K-M)

LEM SERIES HIGH-EFFICIENCY: AIR HANDLER CHASSIS NOMENCLATURE				
LEM	18	D	G	000
LEM= 240V Constant torque ECM Multi-Position Air Handler	Nominal Tonnage	D= Coil size (slab size, depth, rows)	<b>A2L REFRIGERANTS - R454B + R32</b>	CUSTOM OPTIONS
			<b>D</b> = R32 (TXV NON-BLEED AC/HP) <b>J</b> = R454B (TXV NON-BLEED AC/HP) <b>K</b> = R454B (TXV 20% BLEED AC/HP) <b>M</b> = R32 (PISTON) <b>N</b> = R454B (PISTON) <b>Z</b> = R454B/R32 CONFIGURABLE (Shipped with R454B Piston)  <b>6</b> = 20% bleed A/C or H/P R410 TXV <b>B</b> = 20% bleed A/C or H/P R410 TXV <b>G</b> = R410 Flo-rater <b>F</b> = R-22 Flo-rater <b>X</b> = non-bleed A/C or H/P R22TXV	

In keeping with its commitment to continuous improvement, Aspen Manufacturing reserves the right to make changes without notice and incurring obligation. To stay up-to-date with this product and Aspen's trusted line of coils, air handlers, and more, go to our website. © 2026 Aspen Manufacturing. All Rights Reserved

Phone: 281.441.6500 Toll Free: 800.423.9007 Fax: 281.441.6510 Customer Service: info@aspenmfg.com Warranty Team: warranty@aspenmfg.com



**LEM SERIES HIGH-EFFICIENCY: ELECTRIC HEAT KIT NOMENCLATURE**

N	C	M	03							
			ELECTRIC HEAT CAPACITY							
N = ELECTRIC HEAT	C = CIRCUIT BREAKER  T = TERMINAL BLOCK	S = 24(A-E), 36L	00 = 0KW	03 = 3KW	05 = 5KW	06 = 6KW	08 = 8KW	10 = 10KW		
		M = 24(F-K), 36(A-E), 48(K-L)	00 = 0KW	03 = 3KW	05 = 5KW	06 = 6KW	08 = 8KW	10 = 10KW	15 = 15KW	
		L = 36(F-J), 48(A-E), 60(A-E)*, 60(K-M)*	00 = 0KW	03 = 3KW	05 = 5KW	06 = 6KW	08 = 8KW	10 = 10KW	15 = 15KW	20 = 20KW*
		X = 48(F-J), 60(F-J)	00 = 0KW	03 = 3KW	05 = 5KW	06 = 6KW	08 = 8KW	10 = 10KW	15 = 15KW	20 = 20KW

NOTE: \* = The N(C/T)L20 is only available for the LEM60(A-E) & LEM60(K-M)

**LEM SERIES HIGH-EFFICIENCY: BLOWER DATA**

MODEL	SPEED TAP	MOTOR HP	MOTOR AMPS	MOTOR VOLTAGE	CFM VS EXTERNAL STATIC									
					0.1	0.2	0.3	0.4	0.5	0.6	0.7	0.8	0.9	1.0
LEM24A-E	TAP 5	1/3	2.8	240V	1030	1000	975	945	910	880	865	830	795	750
	TAP 4	1/3	2.8		975	945	910	880	865	830	795	775	715	700
	TAP 3	1/3	2.8		845	810	780	755	725	705	665	635	600	550
	TAP 2	1/3	2.8		775	745	725	700	665	645	610	575	525	465
	TAP 1	1/3	2.8		645	620	590	565	550	510	480	420	370	330
LEM36L	TAP 5	1/3	2.8	240V	1250	1225	1200	1175	1150	1125	1050	960	-	-
	TAP 4	1/3	2.8		1160	1140	1115	1090	1075	1030	1000	975	900	-
	TAP 3	1/3	2.8		925	900	865	845	810	775	745	710	695	650
	TAP 2	1/3	2.8		810	770	740	710	680	655	620	590	550	510
	TAP 1	1/3	2.8		650	640	610	575	540	510	475	420	380	345
LEM24F-K LEM36A-E LEM48K	TAP 5	1/2	4.1	240V	1320	1300	1285	1265	1225	1200	1165	1130	1100	1070
	TAP 4	1/2	4.1		1150	1130	1115	1090	1060	1020	975	945	880	810
	TAP 3	1/2	4.1		930	910	875	845	800	765	675	625	590	540
	TAP 2	1/2	4.1		825	790	755	720	675	600	550	510	485	440
	TAP 1	1/2	4.1		745	725	675	645	565	525	480	445	400	350
LEM48L	TAP 5	1/2	4.1	240V	1375	1340	1315	1300	1255	1200	1150	1120	1090	1050
	TAP 4	1/2	4.1		1175	1150	1125	1075	1075	1045	990	960	900	845
	TAP 3	1/2	4.1		915	900	880	850	800	765	705	665	620	590
	TAP 2	1/2	4.1		850	830	780	730	675	635	585	550	510	450
	TAP 1	1/2	4.1		725	705	675	620	565	530	485	460	415	380
LEM36F-J LEM48A-E LEM60A-E	TAP 5	1	7.6	240V	1690	1650	1630	1610	1600	1590	1570	1550	1515	1500
	TAP 4	1	7.6		1580	1460	1435	1420	1400	1370	1350	1325	1275	1250
	TAP 3	1	7.6		1300	1275	1260	1240	1200	1165	1130	1100	1075	1050
	TAP 2	1	7.6		1175	1160	1130	1090	1050	1000	960	930	900	860
	TAP 1	1	7.6		1020	975	945	900	850	810	775	715	695	650
LEM60C	TAP 5	1	7.6	240V	1750	1730	1695	1655	1630	1570	1520	1475	1450	1415
	TAP 4	1	7.6		1560	1520	1475	1435	1435	1375	1350	1325	1275	1250
	TAP 3	1	7.6		1350	1300	1275	1225	1200	1175	1125	1100	1060	1030
	TAP 2	1	7.6		1175	1140	1100	1075	1050	1000	975	928	895	790
	TAP 1	1	7.6		990	940	910	880	850	790	775	675	620	600
LEM60K-M	TAP 5	1	7.6	240V	2080	2050	2025	2000	1965	1935	1910	1880	1845	1825
	TAP 4	1	7.6		1990	1965	1940	1910	1885	1855	1825	1790	1760	1725
	TAP 3	1	7.6		1855	1830	1795	1775	1745	1710	1680	1645	1615	1580
	TAP 2	1	7.6		1575	1540	1510	1475	1435	1400	1360	1320	1280	1240
	TAP 1	1	7.6		1380	1345	1305	1265	1225	1175	1135	1085	1040	990
LEM48F-J LEM60F-J	TAP 5	1	7.6	240V	2130	2090	2050	2005	1965	1920	1875	1855	1830	1780
	TAP 4	1	7.6		1990	1950	1910	1860	1815	1775	1745	1710	1675	1635
	TAP 3	1	7.6		1815	1760	1725	1675	1615	1600	1560	1520	1475	1415
	TAP 2	1	7.6		1635	1595	1560	1500	1435	1415	1370	1300	1200	1125
	TAP 1	1	7.6		1480	1435	1370	1325	1275	1230	1150	1040	980	925



**LEM SERIES HIGH-EFFICIENCY: DIMENSIONS (In.)[mm.] - FIGURE 1**

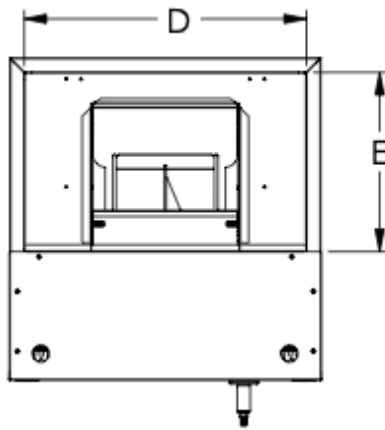
MODEL	A	B	C	D	E	F	G	J	K	FILTER SIZE	SHIP WEIGHT (LBS)	SKID QTY
LEM24A	14.5 [368]	40 [1016]	21.5 [546]	12.5 [318]	12 [304]	5 [127]	9 [229]	12.5 [218]	20 [508]	12X20	92	6
LEM24B	14.5 [368]	40 [1016]	21.5 [546]	12.5 [318]	12 [304]	9 [229]	5 [127]	12.5 [218]	20 [508]	12X20	92	6
LEM24C	14.5 [368]	40 [1016]	21.5 [546]	12.5 [318]	12 [304]	4 [102]	7 [178]	12.5 [218]	20 [508]	12X20	92	6
LEM24D	14.5 [368]	40 [1016]	21.5 [546]	12.5 [318]	12 [304]	5 [127]	9 [229]	12.5 [218]	20 [508]	12X20	92	6
LEM24E	14.5 [368]	40 [1016]	21.5 [546]	12.5 [318]	12 [304]	4 [102]	7 [178]	12.5 [218]	20 [508]	12X20	92	6
LEM36L	14.5 [368]	40 [1016]	21.5 [546]	12.5 [318]	12 [304]	5 [127]	9 [229]	12.5 [218]	20 [508]	12X20	92	6
LEM24F/36A	17.5 [445]	46 [1168]	21.5 [546]	15.5 [394]	12 [304]	10 [254]	13 [330]	15.5 [394]	20 [508]	14x20	115	4
LEM24G/36B/48K	17.5 [445]	46 [1168]	21.5 [546]	15.5 [394]	12 [304]	4 [102]	7 [178]	15.5 [394]	20 [508]	14x20	115	4
LEM24H/36C	17.5 [445]	46 [1168]	21.5 [546]	15.5 [394]	12 [304]	5 [127]	9 [229]	15.5 [394]	20 [508]	14x20	115	4
LEM24I/36D	17.5 [445]	46 [1168]	21.5 [546]	15.5 [394]	12 [304]	8 [203]	11 [279]	15.5 [394]	20 [508]	14x20	115	4
LEM24J/36E	17.5 [445]	46 [1168]	21.5 [546]	15.5 [394]	12 [304]	10 [254]	13 [330]	15.5 [394]	20 [508]	14x20	115	4
LEM24K	17.5 [445]	46 [1168]	21.5 [546]	15.5 [394]	12 [304]	6.5 [165]	10 [254]	15.5 [394]	20 [508]	14x20	115	4
LEM48L	17.5 [445]	46 [1168]	21.5 [546]	15.5 [394]	12 [304]	10 [254]	13 [330]	15.5 [394]	20 [508]	14x20	115	4
LEM36F/48A	21 [533]	49 [1245]	21.5 [546]	19 [483]	12 [304]	9 [229]	12 [305]	19 [483]	20 [508]	16X20	151	4
LEM36G/48B	21 [533]	49 [1245]	21.5 [546]	19 [483]	12 [304]	7 [178]	10 [254]	19 [483]	20 [508]	16X20	151	4
LEM36H/48C	21 [533]	49 [1245]	21.5 [546]	19 [483]	12 [304]	9 [229]	12 [305]	19 [483]	20 [508]	16X20	151	4
LEM36I/48D	21 [533]	49 [1245]	21.5 [546]	19 [483]	12 [304]	10 [254]	14 [356]	19 [483]	20 [508]	16X20	151	4
LEM36J/48E	21 [533]	49 [1245]	21.5 [546]	19 [483]	12 [304]	12 [305]	16 [406]	19 [483]	20 [508]	16X20	151	4
LEM60A	21 [533]	57 [1448]	21.5 [546]	19 [483]	12 [304]	18 [457]	22 [559]	19 [483]	20 [508]	16X20	173	4
LEM60B	21 [533]	57 [1448]	21.5 [546]	19 [483]	12 [304]	12 [305]	16 [406]	19 [483]	20 [508]	16X20	173	4
LEM60C	21 [533]	57 [1448]	21.5 [546]	19 [483]	12 [304]	14 [356]	18 [457]	19 [483]	20 [508]	16X20	173	4
LEM60D	21 [533]	57 [1448]	21.5 [546]	19 [483]	12 [304]	16 [406]	20 [508]	19 [483]	20 [508]	16X20	173	4
LEM60E	21 [533]	57 [1448]	21.5 [546]	19 [483]	12 [304]	18 [457]	22 [559]	19 [483]	20 [508]	16X20	173	4
LEM60K	21 [533]	57 [1448]	21.5 [546]	19 [483]	12 [304]	12 [305]	16 [406]	19 [483]	20 [508]	16X20	173	4
LEM60L	21 [533]	57 [1448]	21.5 [546]	19 [483]	12 [304]	14 [356]	18 [457]	19 [483]	20 [508]	16X20	173	4
LEM60M	21 [533]	57 [1448]	21.5 [546]	19 [483]	12 [304]	16 [406]	20 [508]	19 [483]	20 [508]	16X20	173	4
LEM48F/60F	24.5 [622]	57 [1448]	21.5 [546]	22.5 [572]	10.5 [267]	18 [457]	22 [559]	22.5 [572]	20 [508]	20X20	180	4
LEM48G/60G	24.5 [622]	57 [1448]	21.5 [546]	22.5 [572]	10.5 [267]	12 [305]	16 [406]	22.5 [572]	20 [508]	20X20	180	4
LEM48H/60H	24.5 [622]	57 [1448]	21.5 [546]	22.5 [572]	10.5 [267]	14 [356]	18 [457]	22.5 [572]	20 [508]	20X20	180	4
LEM48I/60I	24.5 [622]	57 [1448]	21.5 [546]	22.5 [572]	10.5 [267]	16 [406]	20 [508]	22.5 [572]	20 [508]	20X20	180	4
LEM48J/60J	24.5 [622]	57 [1448]	21.5 [546]	22.5 [572]	10.5 [267]	18 [457]	22 [559]	22.5 [572]	20 [508]	20X20	180	4

In keeping with its commitment to continuous improvement, Aspen Manufacturing reserves the right to make changes without notice and incurring obligation. To stay up-to-date with this product and Aspen's trusted line of coils, air handlers, and more, go to our website. © 2026 Aspen Manufacturing. All Rights Reserved

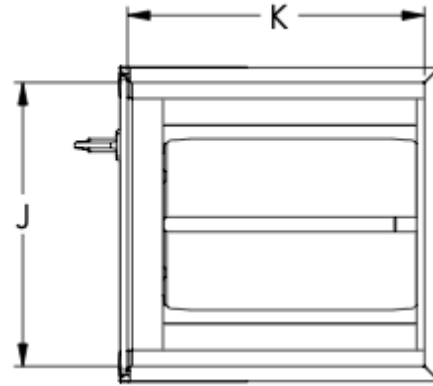
Phone: 281.441.6500 Toll Free: 800.423.9007 Fax: 281.441.6510 Customer Service: info@aspenmfg.com Warranty Team: warranty@aspenmfg.com

**FIGURE 1**

**TOP VIEW**

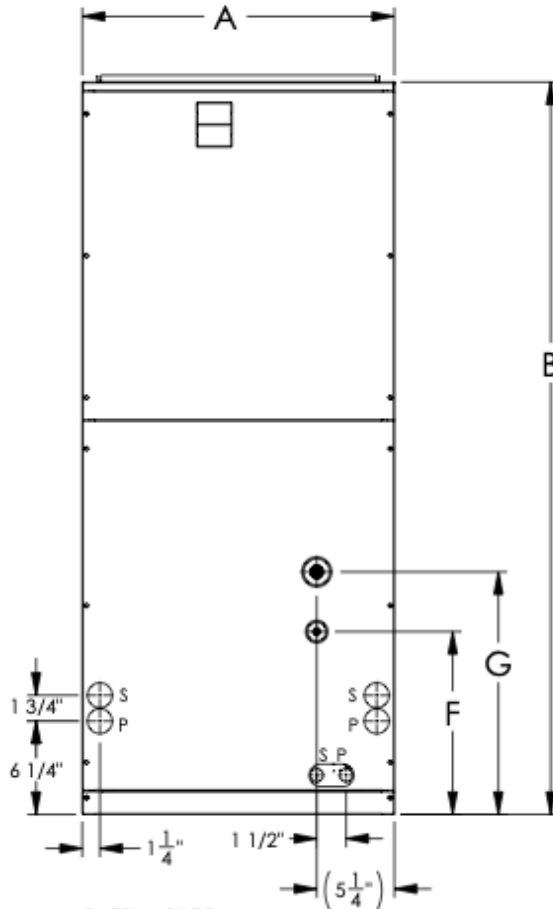


**BOTTOM OPENING VIEW**



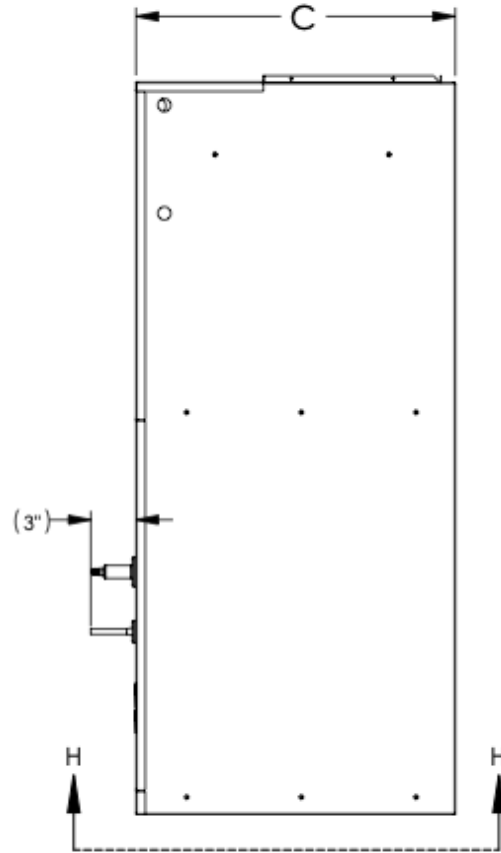
VIEW H-H

**FRONT VIEW**



P - PRIMARY DRAIN  
S - SECONDARY DRAIN

**SIDE VIEW**



**HELPFUL LINKS**



**VIEW PRODUCT ONLINE**

For full warranty terms and conditions, please refer to the Warranty Information section on Aspen's official website.



**VIEW VERSA DUAL REFRIGERANT COILS ONLINE**

Learn more about Aspen's A2L Refrigerant Technology for R32 and R454B Systems.

In keeping with its commitment to continuous improvement, Aspen Manufacturing reserves the right to make changes without notice and incurring obligation. To stay up-to-date with this product and Aspen's trusted line of coils, air handlers, and more, go to our website. © 2026 Aspen Manufacturing. All Rights Reserved

# LGM SERIES

▶ ALUMINUM  
▶ ELECTRIC

MULTI-POSITION  
AIR HANDLERS



Unit shown with service panels removed. Representative image only. Some models may vary in appearance.

## APPLICATION VERSATILITY

Upflow or horizontal right as shipped (field convertible for downflow or horizontal left applications). Can be AHRI certified with most brands of air conditioners or heat pumps.

- A2L refrigerants require a Refrigerant Detection System (RDS) for compliance. In accordance to UL 60335 Refrigerant Detection Systems are factory-installed on A2L refrigerant ready air handlers.
- ETL listed for R22, R410A, R454B, and R32 refrigerants (A2L refrigerants certified with Refrigerant Detection System (RDS)).

## 120V CONSTANT TORQUE ECM MOTOR

Constant torque ECM speeds and torques are controlled by software embedded in the motor to maintain constant torque. Motors are pre-programmed with speeds and torques at the factory for optimal performance and reliability. Direct drive blowers circulate air quietly and efficiently. Rail mounted blowers provide easy removal for service and maintenance.

## BLOWER

Direct drive blowers circulate air quietly and efficiently. Blowers mounted on rails so they can be easily removed for service.

## ELECTRONIC CONTROL BOARD

An electronic board controls the functioning of the system, reducing moving parts. The board provides a blower time delay to maximize heat/cool extraction and offers an integrated fuse for additional protection.

## LOW LEAKAGE CABINET

Sturdy, fully insulated galvanized steel cabinet with knockout for duct return. Less than 2% air leakage from cabinet when tested in accordance with ASHRAE standard 193. Unit must be installed according to installation instructions.

## ALL ALUMINUM COIL

High-efficiency rifled aluminum tubes and enhanced aluminum fins provide maximum heat transfer. All coils factory leak tested with Multi-stage leak testing at 500 psi pressure decay, mass spectrometer tested with Helium, then Nitrogen pressurized and factory sealed optimal system integrity and long-term reliability. Coil mounted Schrader valve allows pre-installation pressure assurance testing.

Available with either factory-installed orifice or TXV metering device. Field-installable bolt-on TXVs are also available. Access door allows for easy coil cleaning.

**WARRANTY** Ten-year limited parts warranty with registration.

**OPTIONS** Ask your local Aspen Sales Rep for customization options.

## DUAL REFRIGERANT

### UNIVERSAL A2L REFRIGERANT TECHNOLOGY FOR R32 & R454B SYSTEMS

#### IDEAL FOR USE WITH ASPEN AIR HANDLERS, AS WELL AS CASED & UNCASD COILS!

Versa Dual Refrigerant Coils are easily configurable for use with either R32 or R454B refrigerant with proper metering device. Utilizing universal Refrigerant Detection Systems (RDS) to ensure regulatory compliance.

#### OTHER POPULAR CUSTOM OPTION:

Factory or field-installed TXV available.

#### DOWNFLOW KIT OPTIONS:

##### METAL DRAIN PANS

- 16" DWNFLWM-16
- 18" DWNFLWM-18

##### PLASTIC DRAIN PANS

DWNFLWP

R51341 11/25



In keeping with its commitment to continuous improvement, Aspen Manufacturing reserves the right to make changes without notice and incurring obligation. To stay up-to-date with this product and Aspen's trusted line of coils, air handlers, and more, go to our website. © 2026 Aspen Manufacturing. All Rights Reserved

Phone: 281.441.6500 Toll Free: 800.423.9007 Fax: 281.441.6510 Customer Service: info@aspenmfg.com Warranty Team: warranty@aspenmfg.com



WWW.ASPENMFG.COM 63



LGM SERIES - STANDARD HIGH-EFFICIENCY - HEATING/COOLING PERFORMANCE & ELECTRICAL DATA					
MODEL	PERFORMANCE DATA			ELECTRICAL DATA (120V)	
	NOM. COOLING	MOTOR	FLA	MIN. CIRCUIT AMPACITY	MAX. BREAKER OR FUSE SIZE
	BTU	HP	A	MCA	
LGM24A-E	24,000	1/3	4.8	6.0	15
LGM36L	36,000	1/3	4.8	6.0	15
LGM24F-M/36A-E/36K,M	24,000 - 36,000	1/2	6.8	8.5	15
LGM48K/48L	48,000	1/2	6.8	8.5	15
LGM36F-J/48A-E/60A-E/60K-M	36,000 - 60,000	1	11.5	14.4	30
LGM48F-J/60F-J	48,000 - 60,000	1	11.5	14.4	30

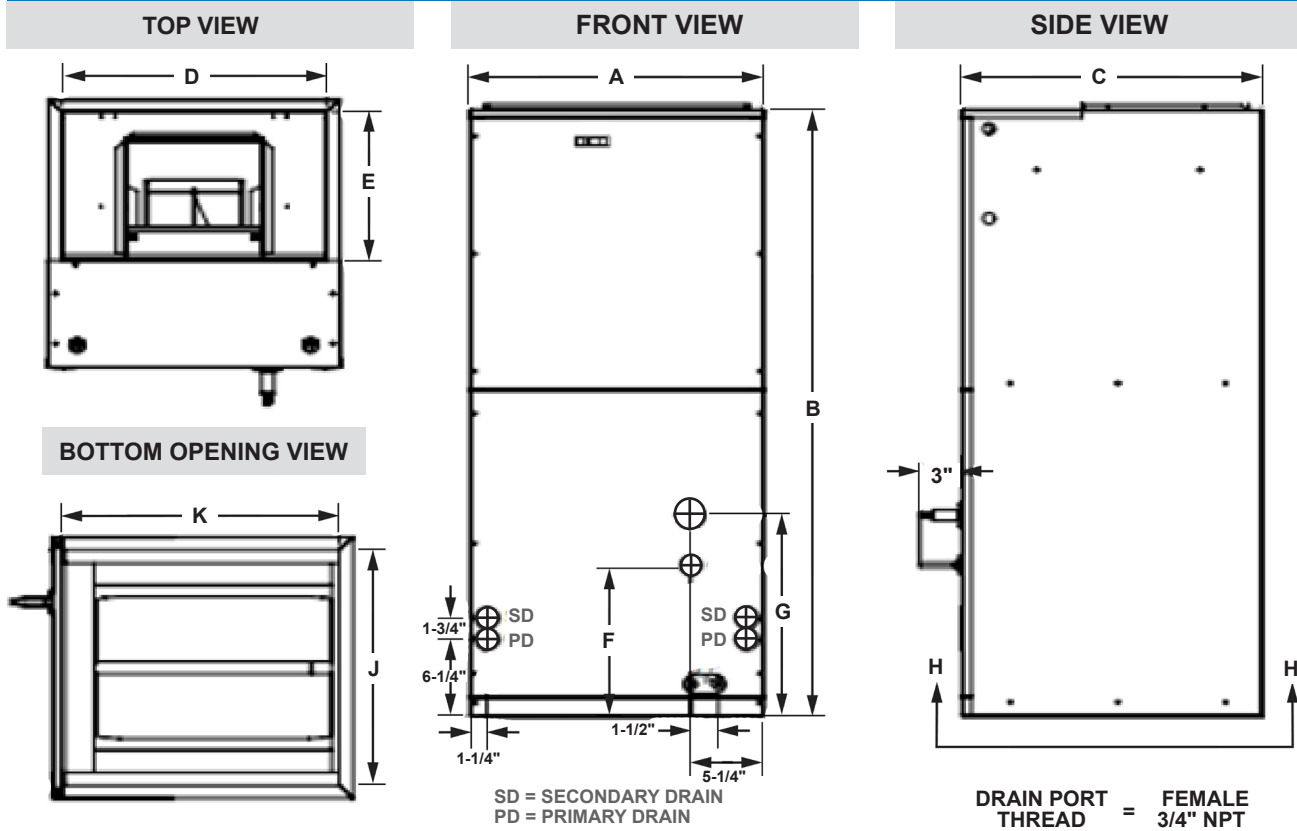
LGM SERIES - STANDARD - HIGH-EFFICIENCY BLOWER DATA													
MODEL	120V ECM MOTOR			CFM VS EXTERNAL STATIC									
	SPEED TAP	HP	AMP	0.1	0.2	0.3	0.4	0.5	0.6	0.7	0.8	0.9	1.0
LGM 24A-E	T5	1/3	4.8	1030	1000	975	945	910	880	865	830	795	750
	T4	1/3	4.8	975	945	910	880	865	830	795	775	715	700
	T3	1/3	4.8	845	810	780	755	725	705	665	635	600	550
	T2	1/3	4.8	775	745	725	700	665	645	610	575	525	465
	T1	1/3	4.8	645	620	590	565	550	510	480	420	370	330
LGM 36L	T5	1/3	4.8	1250	1225	1200	1175	1150	1125	1050	960	-	-
	T4	1/3	4.8	1160	1140	1115	1090	1075	1030	1000	975	900	-
	T3	1/3	4.8	925	900	865	845	810	775	745	710	695	650
	T2	1/3	4.8	810	770	740	710	680	655	620	590	550	510
	T1	1/3	4.8	650	640	610	575	540	510	475	420	380	345
LGM 24F-M 36A-E 36K,M 48K	T5	1/2	6.8	1320	1300	1285	1265	1225	1200	1165	1130	1100	1070
	T4	1/2	6.8	1150	1130	1115	1090	1060	1020	975	945	880	810
	T3	1/2	6.8	930	910	875	845	800	765	725	675	625	590
	T2	1/2	6.8	825	790	755	720	675	600	550	510	485	440
	T1	1/2	6.8	745	725	675	645	565	525	480	445	400	350
LGM 48L	T5	1/2	6.8	1375	1340	1315	1300	1255	1200	1150	1120	1090	1050
	T4	1/2	6.8	1175	1150	1125	1075	1075	1045	990	960	900	845
	T3	1/2	6.8	915	900	880	850	800	765	705	665	620	590
	T2	1/2	6.8	850	830	780	730	675	635	585	550	510	450
	T1	1/2	6.8	725	705	675	620	565	530	485	460	415	380
LGM 36F-J 48A-E 60A-E	T5	1	11.5	1690	1650	1630	1610	1600	1590	1570	1550	1515	1500
	T4	1	11.5	1580	1460	1435	1420	1400	1370	1350	1325	1275	1250
	T3	1	11.5	1300	1275	1260	1240	1200	1165	1130	1100	1075	1050
	T2	1	11.5	1175	1160	1130	1090	1050	1000	960	930	900	860
	T1	1	11.5	1020	975	945	900	850	810	775	715	695	650
LGM 60C	T5	1	11.5	1750	1730	1695	1655	1630	1570	1520	1475	1450	1415
	T4	1	11.5	1560	1520	1475	1435	1435	1375	1350	1325	1275	1250
	T3	1	11.5	1350	1300	1275	1225	1200	1175	1125	1100	1060	1030
	T2	1	11.5	1175	1140	1100	1075	1050	1000	975	928	895	790
	T1	1	11.5	990	940	910	880	850	790	775	675	620	600
LGM6 60K-M	T5	1	11.5	2080	2050	2025	2000	1965	1935	1910	1880	1845	1825
	T4	1	11.5	1990	1965	1940	1910	1885	1855	1825	1790	1760	1725
	T3	1	11.5	1855	1830	1795	1775	1745	1710	1680	1645	1615	1580
	T2	1	11.5	1575	1540	1510	1475	1435	1400	1360	1320	1280	1240
	T1	1	11.5	1380	1345	1305	1265	1225	1175	1135	1085	1040	990
LGM 48F-J 60F-J	T5	1	11.5	2130	2090	2050	2005	1965	1920	1875	1855	1830	1780
	T4	1	11.5	1990	1950	1910	1860	1815	1775	1745	1710	1675	1635
	T3	1	11.5	1815	1760	1725	1675	1615	1600	1560	1520	1475	1415
	T2	1	11.5	1635	1595	1560	1500	1435	1415	1370	1300	1200	1125
	T1	1	11.5	1480	1435	1370	1325	1275	1230	1150	1040	980	925

In keeping with its commitment to continuous improvement, Aspen Manufacturing reserves the right to make changes without notice and incurring obligation. To stay up-to-date with this product and Aspen's trusted line of coils, air handlers, and more, go to our website. © 2026 Aspen Manufacturing. All Rights Reserved

LGM SERIES - STANDARD HIGH-EFFICIENCY - AIR HANDLER CHASSIS NOMENCLATURE					
LGM	NOM. TON.	COIL CODE	METERING DEVICE	OPTION CODE	
	MBTUH	D	G	-000	
120V CONSTANT TORQUE ECM MULTI- POSITION AIR HANDLER	24 = 24,000 36 = 36,000 48 = 48,000 60 = 60,000	A,B,C,D,E = COIL SIZE (SLAB SIZE, DEPTH, ROWS)	<b>A1 REFRIGERANTS - R410A + R22</b>	CUSTOM OPTIONS	
			4 = R410A (TXV NON-BLEED AC/HP) 6 = R410A (TXV 20% BLEED AC/HP) G = R410A (FLOWRATOR)		X = R22 (TXV NON-BLEED AC/HP) B = R22 (TXV 20% BLEED AC/HP) F = R22 (FLOWRATOR)
			<b>A2L REFRIGERANTS - R454B + R32</b>		J = R454B (TXV NON-BLEED AC/HP) K = R454B (TXV 20% BLEED AC/HP) Z = R454B/R32 CONFIGURABLE (Shipped with R454B PISTON)

\*Coil Code = SLAB SIZE, DEPTH, ROWS

**LGM SERIES - STANDARD HIGH-EFFICIENCY**



NOTE: There seems to be an additional "LGM: Series Air Handler, described as "Legacy". Not sure if this is a duplicate entry so need to consult with Aspen PM

LGM SERIES - STANDARD HIGH-EFFICIENCY - DIMENSIONS (In.)[mm.]												
MODEL	A	B	C	D	E	F	G	J	K	FILTER	SHIPPING INFO	
										1" DEPTH	WEIGHT	QTY
LGM 24A	14-1/2 [368]	40 [1016]	21-1/2 [546]	12-1/2 [318]	12 [304]	5 [127]	9 [229]	12-1/2 [218]	20 [508]	12X20	92	6
LGM 24B	14-1/2 [368]	40 [1016]	21-1/2 [546]	12-1/2 [318]	12 [304]	9 [229]	5 [127]	12-1/2 [218]	20 [508]	12X20	92	6
LGM 24C	14-1/2 [368]	40 [1016]	21-1/2 [546]	12-1/2 [318]	12 [304]	4 [102]	7 [178]	12-1/2 [218]	20 [508]	12X20	92	6
LGM 24D	14-1/2 [368]	40 [1016]	21-1/2 [546]	12-1/2 [318]	12 [304]	5 [127]	9 [229]	12-1/2 [218]	20 [508]	12X20	92	6
LGM 24E	14-1/2 [368]	40 [1016]	21-1/2 [546]	12-1/2 [318]	12 [304]	4 [102]	7 [178]	12-1/2 [218]	20 [508]	12X20	92	6
LGM 36L	14-1/2 [368]	40 [1016]	21-1/2 [546]	12-1/2 [318]	12 [304]	5 [127]	9 [229]	12-1/2 [218]	20 [508]	12X20	92	6

In keeping with its commitment to continuous improvement, Aspen Manufacturing reserves the right to make changes without notice and incurring obligation. To stay up-to-date with this product and Aspen's trusted line of coils, air handlers, and more, go to our website. © 2026 Aspen Manufacturing. All Rights Reserved

Phone: 281.441.6500 Toll Free: 800.423.9007 Fax: 281.441.6510 Customer Service: info@aspenmfg.com Warranty Team: warranty@aspenmfg.com

**LGM SERIES STANDARD DIMENSIONS (In.)[mm.] - CONTINUED**

MODEL	A	B	C	D	E	F	G	J	K	FILTER	SHIPPING INFO	
										1" DEPTH	WEIGHT	QTY
LGM 24F/36A	17-1/2 [445]	46 [1168]	21-1/2 [546]	15-1/2 [394]	12 [304]	10 [254]	13 [330]	15-1/2 [394]	20 [508]	14x20	115	4
LGM 24G/36B/48K	17-1/2 [445]	46 [1168]	21-1/2 [546]	15-1/2 [394]	12 [304]	4 [102]	7 [178]	15-1/2 [394]	20 [508]	14x20	115	4
LGM 24H/36C	17-1/2 [445]	46 [1168]	21-1/2 [546]	15-1/2 [394]	12 [304]	5 [127]	9 [229]	15-1/2 [394]	20 [508]	14x20	115	4
LGM 24I/36D/36K	17-1/2 [445]	46 [1168]	21-1/2 [546]	15-1/2 [394]	12 [304]	8 [203]	11 [279]	15-1/2 [394]	20 [508]	14x20	115	4
LGM 24J/36E/36M	17-1/2 [445]	46 [1168]	21-1/2 [546]	15-1/2 [394]	12 [304]	10 [254]	13 [330]	15-1/2 [394]	20 [508]	14x20	115	4
LGM 24K/24M	17-1/2 [445]	46 [1168]	21-1/2 [546]	15-1/2 [394]	12 [304]	6-1/2 [165]	10 [254]	15-1/2 [394]	20 [508]	14x20	115	4
LGM 48L	17-1/2 [445]	46 [1168]	21-1/2 [546]	15-1/2 [394]	12 [304]	10 [254]	13 [330]	15-1/2 [394]	20 [508]	14x20	115	4
LGM 36F/48A	21 [533]	49 [1245]	21-1/2 [546]	19 [483]	12 [304]	9 [229]	12 [305]	19 [483]	20 [508]	16X20	151	4
LGM 36G/48B	21 [533]	49 [1245]	21-1/2 [546]	19 [483]	12 [304]	7 [178]	10 [254]	19 [483]	20 [508]	16X20	151	4
LGM 36H/48C	21 [533]	49 [1245]	21-1/2 [546]	19 [483]	12 [304]	9 [229]	12 [305]	19 [483]	20 [508]	16X20	151	4
LGM 36I/48D	21 [533]	49 [1245]	21-1/2 [546]	19 [483]	12 [304]	10 [254]	14 [356]	19 [483]	20 [508]	16X20	151	4
LGM 36J/48E	21 [533]	49 [1245]	21-1/2 [546]	19 [483]	12 [304]	12 [305]	16 [406]	19 [483]	20 [508]	16X20	151	4
LGM 60A	21 [533]	57 [1448]	21-1/2 [546]	19 [483]	12 [304]	18 [457]	22 [559]	19 [483]	20 [508]	16X20	173	4
LGM 60B	21 [533]	57 [1448]	21-1/2 [546]	19 [483]	12 [304]	12 [305]	16 [406]	19 [483]	20 [508]	16X20	173	4
LGM 60C	21 [533]	57 [1448]	21-1/2 [546]	19 [483]	12 [304]	14 [356]	18 [457]	19 [483]	20 [508]	16X20	173	4
LGM 60D	21 [533]	57 [1448]	21-1/2 [546]	19 [483]	12 [304]	16 [406]	20 [508]	19 [483]	20 [508]	16X20	173	4
LGM 60E	21 [533]	57 [1448]	21-1/2 [546]	19 [483]	12 [304]	18 [457]	22 [559]	19 [483]	20 [508]	16X20	173	4
LGM 60K	21 [533]	57 [1448]	21-1/2 [546]	19 [483]	12 [304]	12 [305]	16 [406]	19 [483]	20 [508]	16X20	173	4
LGM 60L	21 [533]	57 [1448]	21-1/2 [546]	19 [483]	12 [304]	14 [356]	18 [457]	19 [483]	20 [508]	16X20	173	4
LGM 60M	21 [533]	57 [1448]	21-1/2 [546]	19 [483]	12 [304]	16 [406]	20 [508]	19 [483]	20 [508]	16X20	173	4
LGM 48F/60F	24-1/2 [622]	57 [1448]	21-1/2 [546]	22-1/2 [572]	10-1/2 [267]	18 [457]	22 [559]	22-1/2 [572]	20 [508]	20X20	180	4
LGM 48G/60G	24-1/2 [622]	57 [1448]	21-1/2 [546]	22-1/2 [572]	10-1/2 [267]	12 [305]	16 [406]	22-1/2 [572]	20 [508]	20X20	180	4
LGM 48H/60H	24-1/2 [622]	57 [1448]	21-1/2 [546]	22-1/2 [572]	10-1/2 [267]	14 [356]	18 [457]	22-1/2 [572]	20 [508]	20X20	180	4
LGM 48I/60I	24-1/2 [622]	57 [1448]	21-1/2 [546]	22-1/2 [572]	10-1/2 [267]	16 [406]	20 [508]	22-1/2 [572]	20 [508]	20X20	180	4
LGM 48J/60J	24-1/2 [622]	57 [1448]	21-1/2 [546]	22-1/2 [572]	10-1/2 [267]	18 [457]	22 [559]	22-1/2 [572]	20 [508]	20X20	180	4

In keeping with its commitment to continuous improvement, Aspen Manufacturing reserves the right to make changes without notice and incurring obligation. To stay up-to-date with this product and Aspen's trusted line of coils, air handlers, and more, go to our website. © 2026 Aspen Manufacturing. All Rights Reserved

# ABM SERIES

▶ COPPER  
▶ HYDRONIC

MULTI-POSITION AIR HANDLERS



Unit shown with service panels removed. Representative image only. Some models may vary in appearance.

## APPLICATION VERSATILITY

Upflow or horizontal right as shipped (field-convertible for downflow or horizontal left applications). Can be AHRI matched with most brands of air conditioners or heat pumps.

- A2L refrigerants require a Refrigerant Detection System (RDS) for compliance. In accordance to UL 60335 Refrigerant Detection Systems are factory-installed on A2L refrigerant ready air handlers.
- ETL listed for R22, R410A, R454B, and R32 refrigerants (A2L refrigerants certified with Refrigerant Detection System (RDS)).

## 120V PSC HYDRONIC MOTOR

Air Handlers come equipped with a standard 120-volt, multi-speed, single-stage PSC motor.

## BLOWER

Direct drive multi-speed blowers circulate air quietly and efficiently. Motor speeds can be easily selected via motor terminals. Rail mounted blowers can be easily removed for service.

## ELECTRONIC CONTROL BOARD

Electronic circuit board provides 30 sec. ON/OFF blower time delay extracting more heat/cool from the coil. An electronic board controls the functioning of the system reducing moving parts. The board provides for various hot water supply source connections and the blower time delay to maximize heat/cool extraction. As an enhanced feature the pump circulates hot water every 6 hours to prevent water stagnation and coil freezing.

## LOW LEAKAGE CABINET

Less than 1.4% air leakage from cabinet when tested in accordance with ASHRAE standard 193. Sturdy, galvanized steel cabinet with painted front panels. Cabinet fully insulated with 1/2" faced insulation to encapsulate glass fibers, to prevent sweating, and to provide excellent R-value. Stick pins ensure insulation remains in place.

## DX COIL

High-efficiency rifled copper tubes and enhanced aluminum fins provide maximum heat transfer. All coils are immersion tested at 500 psi, followed by nitrogen pressurization and factory sealing to ensure optimal system integrity and long-term reliability. Liquid-line Schrader valve allows pre-installation pressure assurance testing.

Available with either orifice or TXV metering device. Field-installable bolt-on TXVs are also available. Rugged GLP drain pan holds minimal condensate while eliminating the possibility of corrosion. Drain pan is UV safe. All drain connections are 3/4" NPT. Access door allows for coil cleaning.

## MODULAR HYDRONIC HEAT KITS

Air Handlers are available with either factory-installed circuit breakers or terminal blocks. Hydronic coils come in 2, 3 and 4 row with the options of pump or no pump configurations. Freeze stat is standard, wired into circulating pump control circuit. Controls are accessible from the front for easy service. Electrical connections can be made from the top or left. Fan time delay relay standard for increased efficiency. Heat kits are available with or without circulating pump and check valve. Units are provided with auxiliary relay for remote pump. Schrader valve ports are standard on water-out manifold, hose bib available as an option.

**WARRANTY** Five-year limited parts warranty with registration.

**OPTIONS** Ask your local Aspen Sales Rep for customization options.

## DUAL REFRIGERANT

### UNIVERSAL A2L REFRIGERANT TECHNOLOGY FOR R32 & R454B SYSTEMS

#### IDEAL FOR USE WITH ASPEN AIR HANDLERS, AS WELL AS CASED & UNCASSED COILS!

Versa Dual Refrigerant Coils are easily configurable for use with either R32 or R454B refrigerant with proper metering device. Utilizing universal Refrigerant Detection Systems (RDS) to ensure regulatory compliance.

#### OTHER POPULAR CUSTOM OPTION:

Factory or field-installed TXV available.

#### DOWNFLOW KIT OPTIONS:

##### METAL DRAIN PANS

- 16" DWNFLWM-16
- 18" DWNFLWM-18

##### PLASTIC DRAIN PANS

DWNFLWP

R51341 11/25



In keeping with its commitment to continuous improvement, Aspen Manufacturing reserves the right to make changes without notice and incurring obligation. To stay up-to-date with this product and Aspen's trusted line of coils, air handlers, and more, go to our website. © 2026 Aspen Manufacturing. All Rights Reserved

Phone: 281.441.6500 Toll Free: 800.423.9007 Fax: 281.441.6510 Customer Service: info@aspenmfg.com Warranty Team: warranty@aspenmfg.com



WWW.ASPENMFG.COM 67

**HEATING/COOLING PERFORMANCE & ELECTRICAL DATA**

MODEL	PERFORMANCE DATA								ELECTRICAL DATA	
	NOM. COOLING	HYDRONIC HEAT KIT MODEL	ROWS	PRESS DROP (FT.WTR)	HEATING CAPACITY (BTU/HR)				MIN. CIRCUIT AMPACITY (MCA)	MAX. BREAKER OR FUSE SIZE
					STANDARD PUMP @ 3.5 GPM NOM. AIRFLOW					
					ENTERING WATER TEMP.					
120°	140°	160°	180°							
ABM 18/19	18,000	W*2SP	2	2.7	17770	24900	32250	39600	4.28	15
		W*3SP	3	2.1	21600	30500	39450	48400		
ABM 23/24/25	24,000	W*2SP	2	2.7	20200	28500	36950	45400	4.28	15
		W*3SP	3	2.1	25000	35300	45800	56300		
ABM 30/31	30,000	W*2SP	2	2.5	22100	31300	40645	49990	7.53	15
		W*3SP	3	1.9	27700	39100	50750	62400		
		W*4SP	4	1.1	31000	43900	57000	70100		
ABM 36/37	36,000	W*2SP	2	2.5	23700	33500	43550	53600	7.53	15
		W*3SP	3	1.9	29800	42100	54700	67300		
		W*4SP	4	1.1	33500	47400	61600	75800		
ABM 42/43	42,000	W*2LP	2	2.5	30200	42600	55300	68000	12.66	20
		W*3LP	3	1.9	36300	51400	65000	78600		
		W*4LP	4	1.1	43600	61600	77250	92900		
ABM 48/49	48,000	W*2LP	2	2.1	31700	44800	58100	71400	12.66	20
		W*3LP	3	1.6	38200	54000	67300	80600		
		W*4LP	4	0.9	45900	64900	81450	98000		
ABM 60/61/62	60,000	W*2LP	2	1.7	32900	46600	60500	74400	12.66	20
		W*3LP	3	1.3	39700	56200	70100	84000		
		W*4LP	4	0.8	47800	67600	84900	102200		
ABM 35	36,000	W*2MP	2	2.5	27040	38215	49610	61005	7.53	15
		W*3MP	3	1.9	33185	46900	59540	72180		
		W*4MP	4	1.1	38750	54805	69815	84820		
ABM 47	48,000	W*3XP	3	1.3	38195	54020	65095	76170	12.66	20
		W*4XP	4	0.8	48200	68125	83380	98640		
ABM 59	60,000	W*3XP	3	1.3	38195	54020	65095	76170	12.66	20
		W*4XP	4	0.8	48200	68125	83380	98640		

**BLOWER DATA**

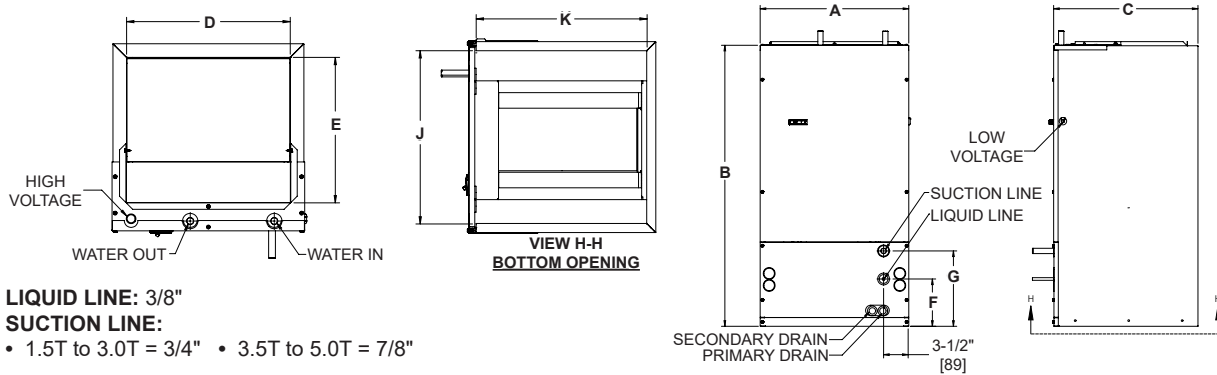
MODEL	120V PSC MOTOR			CFM VS. EXTERNAL STATIC (DRY COIL)				
	SPEED	HP	AMPS	0.1	0.2	0.3	0.4	0.5
ABM 18/19/24/25	LOW	1/5	2.8	780	740	700	645	585
	HIGH	1/5	2.8	850	800	745	685	620
ABM 23	LOW	1/5	2.8	825	780	735	675	630
	HIGH	1/5	2.8	865	815	780	705	640
ABM 30/31/36/37	LOW	1/3	5.4	925	910	850	825	800
	MID	1/3	5.4	1180	1155	1115	1060	1000
	HIGH	1/3	5.4	1330	1270	1205	1140	1070
ABM 35	LOW	1/3	5.4	995	980	750	915	885
	MID	1/3	5.4	1140	1085	1045	1000	950
	HIGH	1/3	5.4	1220	1165	1130	1060	1000
ABM 42/43/48/60/61/62	LOW	3/4	9.5	1360	1340	1310	1280	1230
	MID	3/4	9.5	1530	1470	1420	1360	1310
	HIGH	3/4	9.5	1730	1670	1600	1540	1480
ABM 47/59	LOW	3/4	9.5	1350	1315	1300	1245	1205
	MID	3/4	9.5	1500	1450	1400	1350	1315
	HIGH	3/4	9.5	1670	1615	1560	1515	1450

In keeping with its commitment to continuous improvement, Aspen Manufacturing reserves the right to make changes without notice and incurring obligation. To stay up-to-date with this product and Aspen's trusted line of coils, air handlers, and more, go to our website. © 2026 Aspen Manufacturing. All Rights Reserved

AIR HANDLER CHASSIS NOMENCLATURE (HYDRONIC MULTI-POSITION)			
ABM	NOM. TON.	METERING DEVICE	OPTION CODE
	MBTUH	F	-000
120V PSC MOTOR Hydronic Multi-Position Air Handler	18/19 = 18,000 23/24/25 = 24,000 30/31 = 30,000 35/36/37 = 36,000 42/43 = 42,000 47/48/49 = 48,000 60 /61/62 = 60,000	<b>A1 REFRIGERANTS - R410A + R22</b>	CUSTOM OPTIONS
		4 = R410A (TXV NON-BLEED AC/HP)    G = R410A (FLOWRATOR) B = R22 (TXV 20% BLEED AC/HP)    X = R22 (TXV NON-BLEED AC/HP) F = R22 (FLOWRATOR)	
		<b>A2L REFRIGERANTS - R454B + R32</b>	
		J = R454B (TXV NON-BLEED AC/HP)    K = R454B (TXV 20% BLEED AC/HP) D = R32 (TXV NON-BLEED AC/HP)    M = R32 (PISTON) Z = R454B OR R32 CONFIGURABLE    N = R454B (PISTON) (Shipped w/ R454B Piston)	

HYDRONIC HEAT NOMENCLATURE				
HEAT KIT	POWER CONNECTION	ROWS	CABINET SIZE & NOM. TONN.	PUMP TYPE
W	C	2	S	P
HYDRONIC WATER HEAT	C = CIRCUIT BREAKER T = TERMINAL BLOCK	2 = 2 3 = 3 4 = 4	S = ABM18/19/23/24/25/30/31/36/37 M = ABM35 L = ABM42/43/48/49/60/61/62 X = ABM47/59	L = No Pump P = Taco 006 Pump (factory-installed) 8 = Taco 008 Pump High Head (factory-installed) R = Taco 009 Pump High Head (to be mounted external to all units except for multi-position units)

**FIGURE 1**



ABM DIMENSIONS (In.)[mm.] - FIGURE 1												
MODEL	A	B	C	D	E	F	G	J	K	FILTER 1" DEPTH	SHIPPING INFO	
											WEIGHT	SKID QTY
ABM 18+W*	21 [533]	49-1/4 [1251]	20-1/2 [521]	18-3/4 [476]	12 [305]	5-3/4 [146]	9-3/4 [248]	18-1/2 [470]	18-1/2 [470]	16X20	99	4
ABM 19/24/25+W*	21 [533]	49-1/4 [1251]	20-1/2 [521]	18-3/4 [476]	12 [305]	7-3/4 [197]	11-3/4 [298]	18-1/2 [470]	18-1/2 [470]	16X20	100	4
ABM 30+W*	21 [533]	49-1/4 [1251]	20-1/2 [521]	18-3/4 [476]	12 [305]	10-1/2 [267]	14-1/2 [368]	18-1/2 [470]	18-1/2 [470]	16X20	118	4
ABM 36+W*	21 [533]	49-1/4 [1251]	20-1/2 [521]	18-3/4 [476]	12 [305]	12-1/2 [317]	16-1/2 [419]	18-1/2 [470]	18-1/2 [470]	16X20	118	4
ABM 31/37+W*	21 [533]	49-1/4 [1251]	20-1/2 [521]	18-3/4 [476]	12 [305]	14-3/4 [374]	18-3/4 [476]	18-1/2 [470]	18-1/2 [470]	16X20	147	4
ABM 42+W*	24-1/2 [622]	57 [1448]	20-1/2 [521]	22-1/4 [565]	14-3/4 [375]	14-3/4 [374]	18-3/4 [476]	22 [559]	18-1/2 [470]	20X20	153	4
ABM 48+W*	24-1/2 [622]	57 [1448]	20-1/2 [521]	22-1/4 [565]	14-3/4 [375]	16 [406]	20 [508]	22 [559]	18-1/2 [470]	20X20	180	4
ABM 43/49/60/62+W*	24-1/2 [622]	57 [1448]	20-1/2 [521]	22-1/4 [565]	14-3/4 [375]	18 [457]	22 [559]	22 [559]	18-1/2 [470]	20X20	180	4
ABM 61+W*	24-1/2 [622]	57 [1448]	20-1/2 [521]	22-1/4 [565]	14-3/4 [375]	20 [508]	24 [610]	22 [559]	18-1/2 [470]	20X20	200	4
ABM 23+W*	21 [533]	40 [1016]	20-1/2 [521]	18 [457]	16 [406]	7 [178]	11 [279]	18-1/2 [470]	18-1/2 [470]	16X20	100	4
ABM 35+W*	21 [533]	42 [1067]	23 [584]	18 [457]	19 [483]	8-3/4 [222]	12-3/4 [324]	18 [457]	20 [533]	20X20	170	4
ABM 47/59+W*	21 [533]	48 [1219]	28 [711]	18 [457]	24 [610]	11-3/4 [298]	15-3/4 [400]	18 [457]	25 [660]	20X25	200	4

In keeping with its commitment to continuous improvement, Aspen Manufacturing reserves the right to make changes without notice and incurring obligation. To stay up-to-date with this product and Aspen's trusted line of coils, air handlers, and more, go to our website. © 2026 Aspen Manufacturing. All Rights Reserved

# AFM SERIES

▶ COPPER  
▶ HYDRONIC



*Unit shown with service panels removed. Representative image only. Some models may vary in appearance.*

## APPLICATION VERSATILITY

Upflow or horizontal right as shipped (field convertible for downflow or horizontal left applications). Can be AHRI certified with most brands of air conditioners or heat pumps.

- A2L refrigerants require a Refrigerant Detection System (RDS) for compliance. In accordance to UL 60335 Refrigerant Detection Systems are factory-installed on A2L refrigerant ready air handlers.
- ETL listed for R22, R410A, R454B, and R32 refrigerants (A2L refrigerants certified with Refrigerant Detection System (RDS)).

## 120V CONSTANT TORQUE ECM MOTOR

Pre-programmed, 5-speed, 120V ECM motors that ensure higher efficiency and increased energy savings by delivering constant torque during operation. Motors are pre-programmed with speeds and torques at the factory for optimal performance and reliability. Direct drive blowers circulate air quietly and efficiently. Rail mounted blowers provide easy removal for service and maintenance.

## BLOWER

Direct drive blowers circulate air quietly and efficiently. Blowers mounted on rails so they can be easily removed for service.

## ELECTRONIC CONTROL BOARD

Electronic circuit board provides 30 seconds of ON/OFF blower time delay extracting more heat/cool from the coil. An electronic board controls the functioning of the system reducing moving parts. The board provides for various hot water supply source connections and the blower time delay to maximize heat/cool extraction. As an enhanced feature the pump circulates hot water every 6 hours to prevent water stagnation and coil freezing.

## LOW LEAKAGE CABINET

Less than 2% air leakage from cabinet when tested in accordance with ASHRAE standard 193. Sturdy, galvanized steel cabinet with painted front panels. Cabinet fully insulated with 1/2" faced insulation to encapsulate glass fibers, to prevent sweating, and to provide excellent R-value. Stick pins ensure insulation remains in place.

## DX COIL

High-efficiency rifled copper tubes and enhanced aluminum fins provide maximum heat transfer. All coils are immersion tested at 500 psi, followed by nitrogen pressurization and factory sealing to ensure optimal system integrity and long-term reliability. Coil mounted Schrader valve allows pre-installation pressure assurance testing. Available with either flowrator or TXV metering device.

Field-installable TXVs are also available. Rugged GLP drain pan holds minimal condensate while eliminating the possibility of corrosion. Drain pans are UV safe. GLP drain pans with bottom primary and secondary drain connections or alternate right-side primary. All connections 3/4" NPT. Access door allows for coil cleaning.

## MODULAR HYDRONIC HEAT KITS

Air Handlers are available with either factory-installed circuit breakers or terminal blocks. Hydronic Coils come in 2, 3 and 4 row with the options of pump or no pump configurations. Freeze stat is standard, wired into circulating pump control circuit. Controls are accessible from the front for easy service. Electrical connections can be made from the top or left. Fan time delay relay standard for increased efficiency. Heat kits are available with or without circulating pump and check valve. Units are provided with auxiliary relay for remote pump. Schrader valve ports are standard on water-out manifold, hose bib available as an option.

**WARRANTY** Five-year limited parts warranty with registration.

**OPTIONS** Ask your local Aspen Sales Rep for customization options.

## DUAL REFRIGERANT

### UNIVERSAL A2L REFRIGERANT TECHNOLOGY FOR R32 & R454B SYSTEMS

#### IDEAL FOR USE WITH ASPEN AIR HANDLERS, AS WELL AS CASED & UNCASD COILS!

Versa Dual Refrigerant Coils are easily configurable for use with either R32 or R454B refrigerant with proper metering device. Utilizing universal Refrigerant Detection Systems (RDS) to ensure regulatory compliance.

OTHER POPULAR CUSTOM OPTION:	DOWNFLOW KIT OPTIONS:	
	METAL DRAIN PANS	PLASTIC DRAIN PANS
Factory or field-installed TXV available.	22" DWNFLWM-22	DWNFLWP

R51341 11/25



In keeping with its commitment to continuous improvement, Aspen Manufacturing reserves the right to make changes without notice and incurring obligation. To stay up-to-date with this product and Aspen's trusted line of coils, air handlers, and more, go to our website. © 2026 Aspen Manufacturing. All Rights Reserved



HEATING/COOLING PERFORMANCE & ELECTRICAL DATA										
MODEL	PERFORMANCE DATA						ELECTRICAL DATA			
	NOM. COOLING	HYDRONIC HEAT KIT MODEL	# OF ROWS	COIL P.D.	HEATING CAPACITY (BTU/HR)				MIN. CIRCUIT AMPACITY	MAX. BREAKER OR FUSE SIZE
					STANDARD PUMP @ 3.5 GPM NOM. AIRFLOW					
					ENTERING WATER TEMP.					
BTU			3.5 GPM	120°	140°	160°	180°	MCA		
AFM 18/19	18,000	W*2SP	2	2.7	17770	24900	32250	39600	6.78	15
		W*3SP	3	2.1	21600	30500	39450	48400		
AFM 23/24/25	24,000	W*2SP	2	2.7	20200	28500	36950	45400	6.78	15
		W*3SP	3	2.1	25000	35300	45800	56300		
AFM 30/31	30,000	W*2SP	2	2.5	22100	31300	40645	49990	9.28	15
		W*3SP	3	1.9	27700	39100	50750	62400		
		W*4SP	4	1.1	31000	43900	57000	70100		
AFM 35	36,000	W*2MP	2	2.5	27040	38215	49610	61005	9.28	15
		W*3MP	3	1.9	33185	46900	59540	72180		
		W*4MP	4	1.1	38750	54805	69815	84820		
AFM 36/37	36,000	W*2SP	2	2.5	23700	33500	43550	53600	9.28	15
		W*3SP	3	1.9	29800	42100	54700	67300		
		W*4SP	4	1.1	33500	47400	61600	75800		
AFM 42/43	42,000	W*2LP	2	2.5	30200	42600	55300	68000	15.16	25
		W*3LP	3	1.9	36300	51400	65000	78600		
		W*4LP	4	1.1	43600	61600	77250	92900		
AFM 47	48,000	W*3XP	3	1.3	38195	54020	65095	76170	15.16	25
		W*4XP	4	0.8	48200	68125	83380	98640		
AFM 48/49	48,000	W*2LP	2	2.1	31700	44800	58100	71400	15.16	25
		W*3LP	3	1.6	38200	54000	67300	80600		
		W*4LP	4	0.9	45900	64900	81450	98000		
AFM 59	60,000	W*3XP	3	1.3	38195	54020	65095	76170	15.16	25
		W*4XP	4	0.8	48200	68125	83380	98640		
AFM 60/61/62	60,000	W*2LP	2	1.7	32900	46600	60500	74400	15.16	25
		W*3LP	3	1.3	39700	56200	70100	84000		
		W*4LP	4	0.8	47800	67600	84900	102200		

HYDRONIC HEAT NOMENCLATURE				
HEAT KIT	POWER CONNECTION	ROWS	CABINET SIZE & NOM.TON.	PUMP
W	C	2	S	P
HYDRONIC WATER HEAT	C = CIRCUIT BREAKER T = TERMINAL BLOCK	2 = 2 3 = 3 4 = 4	S = AFM18/19/23/24/ 25/30/31/36/37 M = AFM35 L = AFM42/43/48/49/60/61 X = AFM47/59	L = No Pump P = Standard Taco 006 Pump w/ Check Valve (factory-installed) 8 = Taco 008 Pump High Head (factory-installed) R = Taco 009 Pump High Head (to be mounted external to all units except for multi-position units)

AIR HANDLER CHASSIS NOMENCLATURE (HYDRONIC MULTI-POSITION)			
AFM	NOM. TON.	METERING DEVICE	OPTION CODE
	MBTUH	4	-000
120V ECM MOTOR Constant Torque Hydronic Multi-Position Air Handler	18/19 = 18,000 23/24/25 = 24,000 30/31 = 30,000 35/36/37 = 36,000 42/43 = 42,000 47/48/49 = 48,000 60/61/62 = 60,000	<b>A1 REFRIGERANTS - R410A + R22</b> 4 = R410A (TXV NON-BLEED AC/HP) G = R410A (FLOWRATOR) B = R22 (TXV 20% BLEED AC/HP) X = R22 (TXV NON-BLEED AC/HP) F = R22 (FLOWRATOR)	CUSTOM OPTIONS
		<b>A2L REFRIGERANTS - R454B + R32</b> J = R454B (TXV NON-BLEED AC/HP) K = R454B (TXV 20% BLEED AC/HP) N = R454B (PISTON) M = R32 (PISTON) D = R32 (TXV NON-BLEED AC/HP) Z = R454B/R32 CONFIGURABLE (Shipped with R454B piston)	

In keeping with its commitment to continuous improvement, Aspen Manufacturing reserves the right to make changes without notice and incurring obligation. To stay up-to-date with this product and Aspen's trusted line of coils, air handlers, and more, go to our website. © 2026 Aspen Manufacturing. All Rights Reserved

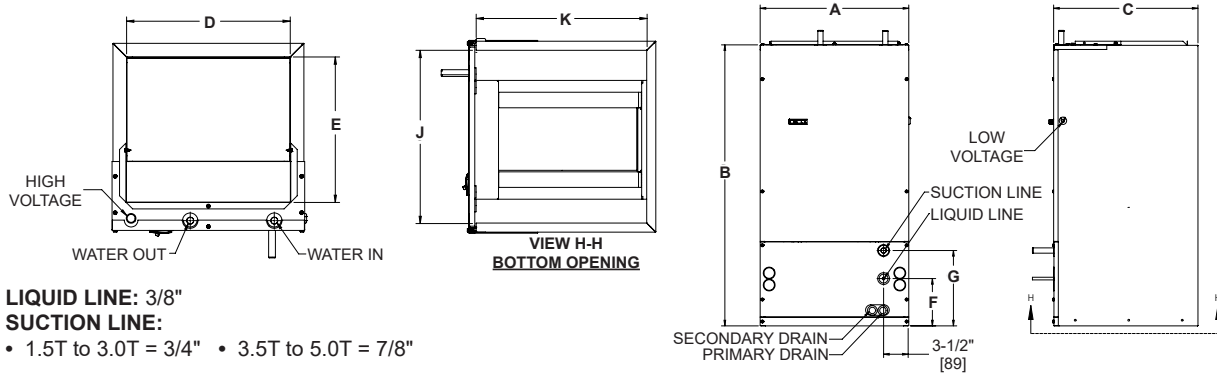
Phone: 281.441.6500 Toll Free: 800.423.9007 Fax: 281.441.6510 Customer Service: info@aspenmfg.com Warranty Team: warranty@aspenmfg.com



BLOWER DATA								
MODEL	120V ECM MOTOR			CFM VS EXTERNAL STATIC (DRY COIL)				
	SPEED TAP	HP	FLA	0.1	0.2	0.3	0.4	0.5
AFM 18/19/24/25	T5	1/3	4.8A	900	853	797	738	673
	T4	1/3	4.8A	670	646	613	592	553
	T3	1/3	4.8A	500	476	452	421	400
	T2	1/3	4.8A	400	381	360	339	312
	T1	1/3	4.8A	900	853	797	738	673
AFM 23	T5	1/3	4.8A	895	860	815	770	705
	T4	1/3	4.8A	825	795	770	750	700
	T3	1/3	4.8A	770	735	705	685	665
	T2	1/3	4.8A	705	675	655	615	595
	T1	1/3	4.8A	655	615	605	580	540
AFM 30/31/36/37	T5	1/2	6.8A	1150	1087	1030	975	910
	T4	1/2	6.8A	1080	1048	1010	960	895
	T3	1/2	6.8A	900	862	825	796	745
	T2	1/2	6.8A	700	663	632	600	552
	T1	1/2	6.8A	500	473	449	421	395
AFM 35	T5	1/2	6.8A	1245	1190	1130	1085	1020
	T4	1/2	6.8A	1170	1130	1085	1045	1000
	T3	1/2	6.8A	935	910	865	840	805
	T2	1/2	6.8A	815	785	745	715	685
	T1	1/2	6.8A	685	655	605	580	520
AFM 42/43/48/ 60/61/62	T5	1	11.5A	1850	1806	1752	1700	1652
	T4	1	11.5A	1704	1656	1600	1532	1479
	T3	1	11.5A	1494	1461	1426	1400	1364
	T2	1	11.5A	1350	1310	1272	1229	1175
	T1	1	11.5A	676	652	621	600	559
AFM 47/59	T5	1	11.5A	1950	1880	1845	1805	1780
	T4	1	11.5A	1765	1740	1725	1685	1660
	T3	1	11.5A	1500	1480	1450	1415	1385
	T2	1	11.5A	1245	1205	1185	1150	1105
	T1	1	11.5A	1010	900	825	765	705

In keeping with its commitment to continuous improvement, Aspen Manufacturing reserves the right to make changes without notice and incurring obligation. To stay up-to-date with this product and Aspen's trusted line of coils, air handlers, and more, go to our website. © 2026 Aspen Manufacturing. All Rights Reserved

**FIGURE 1**



**LIQUID LINE:** 3/8"

**SUCTION LINE:**

- 1.5T to 3.0T = 3/4" • 3.5T to 5.0T = 7/8"

**AFM DIMENSIONS (In.)[mm.] - FIGURE 1**

MODEL	A	B	C	D	E	F	G	J	K	FILTER	SHIPPING INFO	
										1" DEPTH	WEIGHT	SKID QTY
AFM18+W*	21 [533]	49-1/4 [1251]	20-1/2 [521]	18-3/4 [476]	12 [305]	5-3/4 [146]	9-3/4 [248]	18-1/2 [470]	18-1/2 [470]	16X20	99	4
AFM19/24/25+W*	21 [533]	49-1/4 [1251]	20-1/2 [521]	18-3/4 [476]	12 [305]	7-3/4 [197]	11-3/4 [298]	18-1/2 [470]	18-1/2 [470]	16X20	100	4
AFM30+W*	21 [533]	49-1/4 [1251]	20-1/2 [521]	18-3/4 [476]	12 [305]	10-1/2 [267]	14-1/2 [368]	18-1/2 [470]	18-1/2 [470]	16X20	118	4
AFM36+W*	21 [533]	49-1/4 [1251]	20-1/2 [521]	18-3/4 [476]	12 [305]	12-1/2 [317]	16-1/2 [419]	18-1/2 [470]	18-1/2 [470]	16X20	118	4
AFM31/37+W*	21 [533]	49-1/4 [1251]	20-1/2 [521]	18-3/4 [476]	12 [305]	14-3/4 [374]	18-3/4 [476]	18-1/2 [470]	18-1/2 [470]	16X20	147	4
AFM42+W*	24-1/2 [622]	57 [1448]	20-1/2 [521]	22-1/4 [565]	14-3/4 [375]	14-3/4 [374]	18-3/4 [476]	22 [559]	18-1/2 [470]	20X20	153	4
AFM48+W*	24-1/2 [622]	57 [1448]	20-1/2 [521]	22-1/4 [565]	14-3/4 [375]	16 [406]	20 [508]	22 [559]	18-1/2 [470]	20X20	180	4
AFM43/49/60/62+W*	24-1/2 [622]	57 [1448]	20-1/2 [521]	22-1/4 [565]	14-3/4 [375]	18 [457]	22 [559]	22 [559]	18-1/2 [470]	20X20	180	4
AFM61+W*	24-1/2 [622]	57 [1448]	20-1/2 [521]	22-1/4 [565]	14-3/4 [375]	20 [508]	24 [610]	22 [559]	18-1/2 [470]	20X20	200	4
AFM23+W*	21 [533]	40 [1016]	20-1/2 [521]	18 [457]	16 [406]	7 [178]	11 [279]	18-1/2 [470]	18-1/2 [470]	16X20	100	4
AFM35+W*	21 [533]	42 [1067]	23 [584]	18 [457]	19 [483]	8-3/4 [222]	12-3/4 [324]	18 [457]	20 [533]	20X20	170	4
AFM47/59+W*	21 [533]	48 [1219]	28 [711]	18 [457]	24 [610]	11-3/4 [298]	15-3/4 [400]	18 [457]	25 [660]	20X25	200	4

**HELPFUL LINKS**



**VIEW PRODUCT ONLINE**

For full warranty terms and conditions, please refer to the Warranty Information section on Aspen's official website.



**VIEW VERSA DUAL REFRIGERANT COILS ONLINE**

Learn more about Aspen's A2L Refrigerant Technology for R32 and R454B Systems.

In keeping with its commitment to continuous improvement, Aspen Manufacturing reserves the right to make changes without notice and incurring obligation. To stay up-to-date with this product and Aspen's trusted line of coils, air handlers, and more, go to our website. © 2026 Aspen Manufacturing. All Rights Reserved

Phone: 281.441.6500 Toll Free: 800.423.9007 Fax: 281.441.6510 Customer Service: info@aspenmfg.com Warranty Team: warranty@aspenmfg.com

# AFL SERIES

- ▶ COPPER
- ▶ HYDRONIC



*Unit shown with service panels removed. Representative image only. Some models may vary in appearance.*

## APPLICATION VERSATILITY

Upflow, downflow, horizontal left or horizontal right.

- A2L refrigerants require a Refrigerant Detection System (RDS) for compliance. In accordance to UL 60335 Refrigerant Detection Systems are factory-installed on A2L refrigerant ready air handlers.
- ETL listed for R22, R410A, R454B, and R32 refrigerants (A2L refrigerants certified with Refrigerant Detection System (RDS)).

## 120V CONSTANT TORQUE ECM MOTOR

Air handler models come equipped with a 5-speed, constant torque ECM. Motor speed and torque are managed via integrated software to ensure consistent torque output across all operating conditions.

## MODULAR HYDRONIC HEAT KITS

Air Handlers are available with either factory-installed circuit breakers or terminal blocks. Hydronic Coils come in 2, 3 and 4 row with the options of pump or no pump configurations. Freeze stat is standard, wired into circulating pump control circuit. Controls are accessible from the front for easy service. Electrical connections can be made from the top or left. Fan time delay relay standard for increased efficiency. Heat kits are available with or without circulating pump and check valve. Units are provided with auxiliary relay for remote pump. Schrader ports are standard on water-out manifold, hose bib available as an option.

## BLOWER

Direct drive blowers circulate air quietly and efficiently. Blowers mounted on rails so they can be easily removed for service.

## LOW LEAKAGE CABINET

Less than 2% air leakage from cabinet when tested in accordance with ASHRAE standard 193. Sturdy, galvanized steel cabinet with painted front panels. Cabinet fully insulated with 1/2" faced insulation to encapsulate glass fibers, to prevent sweating, and to provide excellent R-value. Stick pins ensure insulation remains in place.

**WARRANTY** Five-year limited parts warranty with registration.

**OPTIONS** Ask your local Aspen Sales Rep for customization options.

R51341 11/25



In keeping with its commitment to continuous improvement, Aspen Manufacturing reserves the right to make changes without notice and incurring obligation. To stay up-to-date with this product and Aspen's trusted line of coils, air handlers, and more, go to our website. © 2026 Aspen Manufacturing. All Rights Reserved



HEATING/COOLING PERFORMANCE & ELECTRICAL DATA													
MODEL	PERFORMANCE DATA									ELECTRICAL DATA			
	HYDRONIC HEAT KIT MODEL	MOTOR SPEED TAP	HEATING COIL		HYDRONIC COIL Δ P. 3.5 GPM	HEATING @ 3.5 GPM CAPACITY (BTU/HR @ 3.5 GPM)				MIN. CIRCUIT AMPACITY MCA	MAX. BREAKER OR FUSE SIZE		
			ROW	SLAB SIZE		120°	140°	160°	180°				
AFLS	WC2SP	2	2	18x12	2.8	17700	24900	32300	39600	6.7	15		
		1	2	18x12	2.8	20200	28500	36900	45400	6.7			
	WC3SP	2	3	18x12	2.1	21600	30500	39400	48400	6.7			
		1	3	18x12	2.1	25000	35300	45800	56300	6.7			
	WC2SR	2	2	18x12	5.6	18700	26400	34100	41900	8.3			
		1	2	18x12	5.6	21600	30500	39500	48500	8.3			
	WC3SR	2	3	18x12	4.2	22900	32300	41700	51200	8.3			
		1	3	18x12	4.2	26900	38000	49100	60300	8.3			
AFLM	WC2SP	2	2	18x12	2.8	22100	31300	40500	49900	9.2	20		
		1	2	18x12	2.8	23700	33500	43500	53600	9.2			
	WC3SP	2	3	18x12	2.1	27700	39100	50700	62400	9.2			
		1	3	18x12	2.1	29800	42100	54700	67300	9.2			
	WC4SP	2	4	18x12	1.1	31000	43900	57000	70100	9.2			
		1	4	18x12	1.1	33500	47400	61500	75800	9.2			
	WC2SR	2	2	18x12	5.6	23900	33800	43700	53800	10.8			
		1	2	18x12	5.6	25800	36500	47300	58200	10.8			
	WC3SR	2	3	18x12	4.2	30100	42500	55100	67700	10.8			
		1	3	18x12	4.2	32800	46300	60000	73700	10.8			
	WC4SR	2	4	18x12	2.2	34000	48000	62300	76600	10.8			
		1	4	18x12	2.2	37200	52600	68100	83800	10.8			
	AFLF	WC2LP	3	2	22x14.5	3.6	30200	42600	55300	68000		14.3	30
			2	2	22x14.5	3.6	31700	44800	58000	71400		14.3	
1			2	22x14.5	3.6	32900	46600	60400	74400	14.3			
WC3LP		3	3	22x14.5	1.7	36300	51400	66700	76600	14.3			
		2	3	22x14.5	1.7	38200	54000	70100	80600	14.3			
		1	3	22x14.5	1.7	39700	56200	73000	84000	14.3			
WC4LP		3	4	22x14.5	1.1	43600	61600	79900	92900	14.3			
		2	4	22x14.5	1.1	45900	64900	84200	98000	14.3			
		1	4	22x14.5	1.1	47800	67600	87700	102200	14.3			
WC2LR		3	2	22x14.5	7.2	33200	46800	60600	74500	15.8			
		2	2	22x14.5	7.2	35000	49400	64000	78700	15.8			
		1	2	22x14.5	7.2	36600	51800	67100	82500	15.8			
WC3LR		3	3	22x14.5	3.4	40500	57300	74200	84400	15.8			
		2	3	22x14.5	3.4	42900	60700	78600	89500	15.8			
		1	3	22x14.5	3.4	45000	63600	82500	94000	15.8			
WC4LR		3	4	22x14.5	2.2	49000	69300	89700	103600	15.8			
		2	4	22x14.5	2.2	52200	73800	95600	110400	15.8			
		1	4	22x14.5	2.2	55000	77700	100800	116300	15.8			

AIR HANDLER CHASSIS NOMENCLATURE		
AFL	CABINET SIZE	OPTION CODE
	S	-001
120V CONSTANT TORQUE ECM MOTOR HYDRONIC MULTI- POSITION AIR HANDLER	S = 18/24 M = 30/36 L = 42/48/60	OPTION CODE

In keeping with its commitment to continuous improvement, Aspen Manufacturing reserves the right to make changes without notice and incurring obligation. To stay up-to-date with this product and Aspen's trusted line of coils, air handlers, and more, go to our website. © 2026 Aspen Manufacturing. All Rights Reserved

**BLOWER DATA**

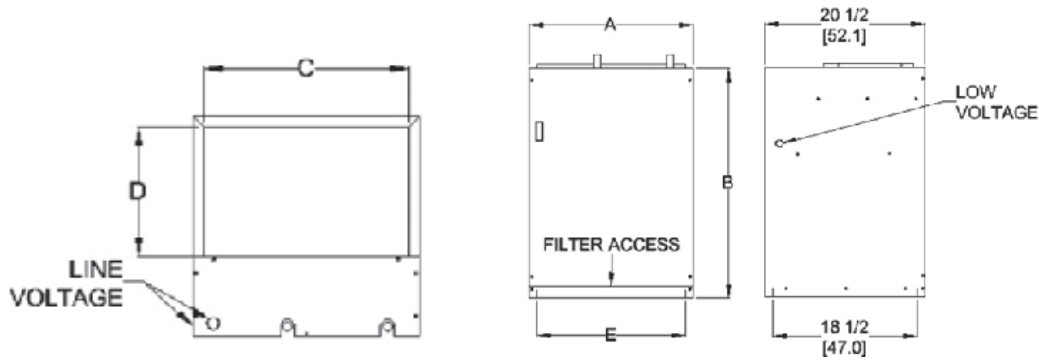
MODEL	120V ECM MOTOR			CFM VS EXTERNAL STATIC* (DRY COIL)				
	HP	FLA	SPEED TAP	0.1	0.2	0.3	0.4	0.5
AFLS+ WC2SR WC3SR	1/3	4.8	T1	900	855	800	740	675
	1/3	4.8	T2	670	650	615	600	550
	1/3	4.8	T3	460	445	420	400	385
	1/3	4.8	T4	900	855	800	740	675
	1/3	4.8	T5	350	335	315	300	280
AFLM+ WC2SR WC3SR WC4SR	1/2	6.8	T1	1200	1130	1085	1030	985
	1/2	6.8	T2	1140	1090	1030	975	910
	1/2	6.8	T3	905	870	835	800	740
	1/2	6.8	T4	760	730	695	650	605
	1/2	6.8	T5	475	450	425	400	375
AFLL+ WC2LR WC3LR WC4LR	1	10.9	T1	1875	1800	1730	1690	1625
	1	10.9	T2	1705	1660	1600	1530	1480
	1	10.9	T3	1495	1460	1430	1400	1365
	1	10.9	T4	1340	1295	1255	1200	1140
	1	10.9	T5	910	875	840	800	745

\*Dry coil with filter in place.

**HYDRONIC HEAT KIT NOMENCLATURE**

HEAT KIT SERIES	POWER CONNECTION	ROWS	CABINET SIZE	PUMP TYPE
<b>W</b>	<b>C</b>	<b>2</b>	<b>S</b>	<b>P</b>
MULTI-POSITION HYDRONIC HEAT	<b>C = CIRCUIT BREAKER</b> <b>T = TERMINAL BLOCK</b>	<b>2 = 2</b> <b>3 = 3</b> <b>4 = 4</b>	<b>S = 18/24/30/36</b> <b>L = 42/48/60</b>	<b>L = No Pump</b> <b>P = Standard Taco 006 Pump w/ Check Valve (factory-installed)</b> <b>8 = Taco 008 Pump High Head (factory-installed)</b> <b>R = Taco 009 Pump High Head (to be mounted external to all units except for multi-position units)</b>

**FIGURE 1**



**DIMENSIONS AND SHIPPING SPECIFICATIONS (In.)[mm.] - FIGURE 1**

MODEL	A	B	DUCT OPENING		BOTTOM OPENING	FILTER	SHIPPING INFO	
			C	D			WEIGHT	SKID QTY
AFLS	21 [533]	30 [762]	18-3/4 [476]	12 [305]	18-1/2 [470]	16X20	83	8
AFLM	21 [533]	30 [762]	18-3/4 [476]	12 [305]	18-1/2 [470]	16X20	85	
AFLL	24-1/2 [622]	33 [838]	22-1/4 [565]	14-1/2 [368]	22-1/4 [572]	20X20	110	

**HELPFUL LINKS**



**VIEW PRODUCT ONLINE**

For full warranty terms and conditions, please refer to the Warranty Information section on Aspen's official website.



**VIEW VERSA DUAL REFRIGERANT COILS ONLINE**

Learn more about Aspen's A2L Refrigerant Technology for R32 and R454B Systems.

# AEW SERIES (HIGH-EFFICIENCY)

▶ COPPER  
▶ ELECTRIC

AIR HANDLERS  
WALL MOUNT



Unit shown with service panels removed. Representative image only. Some models may vary in appearance.

## APPLICATION VERSATILITY

Front or bottom return air position. Offset hanging brackets attach to unit and wall to allow hanging inside closet. Can be AHRI matched with most brands of air conditioners or heat pumps.

- A2L refrigerants require a Refrigerant Detection System (RDS) for compliance. In accordance to UL 60335 Refrigerant Detection Systems are factory-installed on A2L refrigerant-ready air handlers.
- ETL listed for R22, R410A, R454B, and R32 refrigerants (A2L refrigerants certified with Refrigerant Detection System (RDS)).

## 240V CONSTANT TORQUE ECM MOTOR

Pre-programmed, 5-speed, 208V/240V ECM motors that ensure higher efficiency and increased energy savings by delivering constant torque during operation. Motors are pre-programmed with speeds and torques at the factory for optimal performance and reliability. Direct drive blowers circulate air quietly and efficiently. Rail mounted blowers provide easy removal for service and maintenance.

## BLOWER

Direct drive multi-speed blowers circulate air quietly and efficiently. Motor speeds can be easily selected via motor terminals. Rail mounted blowers can be easily removed for service.

## ELECTRONIC CIRCUIT BOARD

Electronic circuit board provides 30 secs ON/OFF blower time delay extracting more heat/cool from the coil. Automotive-style pull fuse protection on the circuit board to provide low voltage and transformer protection.

## LOW LEAKAGE CABINET

Sturdy, fully insulated galvanized steel cabinet; stick pins ensure 1/2" insulation remains in place. Unit ships with disposable filter. Less than 1.4% air leakage from cabinet when tested in accordance with ASHRAE standard 193. Unit must be installed according to Aspen installation instructions.

## DX COIL

High-efficiency rifled copper tubes and enhanced aluminum fins provide maximum heat transfer. All coils are immersion tested at 500 psi, followed by nitrogen pressurization and factory sealing to ensure optimal system integrity and long-term reliability. Liquid-line Schrader valve allows pre-installation pressure assurance testing.

Available with either check style flowrator or TXV metering device. Field-installable TXVs are also available. Galvanized metal drain pan with bottom primary and secondary drain connections or alternate right side primary. All connections 3/4" NPT. Access door allows for coil cleaning.

## MODULAR ELECTRIC HEAT KITS

Heat kits available with either circuit breakers or terminal blocks. Available from 3 to 10 KW. Models with electric heat include sequencers and temperature limit switches for safe, efficient operation. Modules are easily installed in the field using molex plugs or can be ordered factory-installed. Controls are accessible from the front for easy service. Electrical connections can be made from the top or left. Disconnect does not protrude through the wall panel. Fan time delay relay standard for increased efficiency.

**WARRANTY** Ten-year limited parts warranty with registration.

**OPTIONS** Ask your local Aspen Sales Rep for customization options.

## DUAL REFRIGERANT

### UNIVERSAL A2L REFRIGERANT TECHNOLOGY FOR R32 & R454B SYSTEMS

#### IDEAL FOR USE WITH ASPEN AIR HANDLERS, AS WELL AS CASED & UNCASSED COILS!

Versa Dual Refrigerant Coils are easily configurable for use with either R32 or R454B refrigerant with proper metering device. Utilizing universal Refrigerant Detection Systems (RDS) to ensure regulatory compliance.

#### OTHER POPULAR CUSTOM OPTION:

- Factory or field-installed TXV available.

R51341 11/25



In keeping with its commitment to continuous improvement, Aspen Manufacturing reserves the right to make changes without notice and incurring obligation. To stay up-to-date with this product and Aspen's trusted line of coils, air handlers, and more, go to our website. © 2026 Aspen Manufacturing. All Rights Reserved

Phone: 281.441.6500 Toll Free: 800.423.9007 Fax: 281.441.6510 Customer Service: info@aspennmfg.com Warranty Team: warranty@aspennmfg.com



WWW.ASPENMFG.COM 77



AEW SERIES: HEATING/COOLING PERFORMANCE & ELECTRICAL DATA										
MODEL	ELECTRIC HEAT KIT MODEL	MIN. SPEED TAP	PERFORMANCE DATA				ELECTRICAL DATA			
			HEATING		HEATING CAPACITY		MIN. CIRCUIT AMPACITY		MAX. BREAKER OR FUSE SIZE	
			KW		MBTUH		MCA			
			208V	240V	208V	240V	208V	240V	208V	240V
AEW 18/23/24	F(C,T)S00	-	0.0	0.0	2.8	2.8	3.5	3.5	15A	15A
	F(C,T)S03	T4	2.3	3.0	13.6	15.3	17.0	19.1	20A	20A
	F(C,T)S05	T4	3.6	4.8	20.1	22.8	25.1	28.5	30A	30A
	F(C,T)S06	T4	4.5	6.0	24.4	27.8	30.5	34.8	25A	35A
	F(C,T)S08	T5	6.0	8.0	31.6	36.1	39.6	45.2	40A	50A
	F(C,T)S10	T5	7.2	9.6	37.4	42.8	46.8	53.5	50A	60A
AEW 19/20/25/26	F(C,T)S00	-	0.0	0.0	2.8	2.8	3.5	3.5	15A	15A
	F(C,T)S03	T2	2.3	3.0	13.6	15.3	17.0	19.1	20A	20A
	F(C,T)S05	T2	3.6	4.8	20.1	22.8	25.1	28.5	30A	30A
	F(C,T)S06	T4	4.5	6.0	24.4	27.8	30.5	34.8	25A	35A
	F(C,T)S08	T4	6.0	8.0	31.6	36.1	39.6	45.2	40A	50A
	F(C,T)S10	T4	7.2	9.6	37.4	42.8	46.8	53.5	50A	60A
AEW 30	F(C,T)M00	-	0.0	0.0	4.1	4.1	5.1	5.1	15A	15A
	F(C,T)M03	T2	2.3	3.0	14.9	16.6	18.6	20.8	20A	25A
	F(C,T)M05	T2	3.6	4.8	21.4	24.1	26.8	30.1	30A	35A
	F(C,T)M06	T3	4.5	6.0	25.7	29.1	32.2	36.4	35A	40A
	F(C,T)M08	T3	3.0	8.0	32.9	37.4	41.2	46.8	45A	50A
	F(C,T)M10	T3	7.2	9.6	38.7	44.1	48.4	55.1	50A	60A
AEW 31	F(C,T)M00	-	0.0	0.0	4.1	4.1	5.1	5.1	15A	15A
	F(C,T)M03	T2	2.3	3.0	14.9	16.6	18.6	20.8	20A	25A
	F(C,T)M05	T2	3.6	4.8	21.4	24.1	26.8	30.1	30A	35A
	F(C,T)M06	T3	4.5	6.0	25.7	29.1	32.2	36.4	35A	40A
	F(C,T)M08	T3	3.0	8.0	32.9	37.4	41.2	46.8	45A	50A
	F(C,T)M10	T3	7.2	9.6	38.7	44.1	48.4	55.1	50A	60A
AEW 36	F(C,T)M00	-	0.0	0.0	4.1	4.1	5.1	5.1	15A	15A
	F(C,T)M03	T4	2.3	3.0	14.9	16.6	18.6	20.8	20A	25A
	F(C,T)M05	T4	3.6	4.8	21.4	24.1	26.8	30.1	30A	35A
	F(C,T)M06	T5	4.5	6.0	25.7	29.1	32.2	36.4	35A	40A
	F(C,T)M08	T5	3.0	8.0	32.9	37.4	41.2	46.8	45A	50A
	F(C,T)M10	T5	7.2	9.6	38.7	44.1	48.4	55.1	50A	60A
AEW 37	F(C,T)M00	-	0.0	0.0	4.1	4.1	5.1	5.1	15A	15A
	F(C,T)M03	T4	2.3	3.0	14.9	16.6	18.6	20.8	20A	25A
	F(C,T)M05	T4	3.6	4.8	21.4	24.1	26.8	30.1	30A	35A
	F(C,T)M06	T5	4.5	6.0	25.7	29.1	32.2	36.4	35A	40A
	F(C,T)M08	T5	3.0	8.0	32.9	37.4	41.2	46.8	45A	50A
	F(C,T)M10	T5	7.2	9.6	38.7	44.1	48.4	55.1	50A	60A

In keeping with its commitment to continuous improvement, Aspen Manufacturing reserves the right to make changes without notice and incurring obligation. To stay up-to-date with this product and Aspen's trusted line of coils, air handlers, and more, go to our website. © 2026 Aspen Manufacturing. All Rights Reserved



AEW SERIES: BLOWER DATA								
MODEL	240V ECM MOTOR			CFM VS EXTERNAL STATIC*† (WET COIL)				
	SPEED TAP	HP	AMPS	0.1	0.2	0.3	0.4	0.5
AEW 18/23/24	T1	1/3	2.8	909	864	840	800	782
	T2	1/3	2.8	723	690	652	631	600
	T3	1/3	2.8	600	656	539	502	480
	T4	1/3	2.8	723	690	652	631	600
	T5	1/3	2.8	909	864	840	800	782
AEW 19/25	T1	1/3	2.8	670	645	615	590	570
	T2	1/3	2.8	800	780	750	730	695
	T3	1/3	2.8	875	850	820	790	760
	T4	1/3	2.8	980	955	930	900	875
	T5	1/3	2.8	1065	1035	1015	995	970
AEW 20/26	T1	1/3	2.8	655	630	605	580	560
	T2	1/3	2.8	785	765	735	715	685
	T3	1/3	2.8	860	835	805	775	745
	T4	1/3	2.8	960	835	805	775	745
	T5	1/3	2.8	1045	1015	995	975	950
AEW 30/36	T1	1/2	4.1	1365	1332	1303	1271	1240
	T2	1/2	4.1	745	698	668	630	600
	T3	1/2	4.1	898	873	853	827	880
	T4	1/2	4.1	1174	1132	1106	1078	1047
	T5	1/2	4.1	1365	1332	1303	1271	1240
AEW 31/37	T1	1/2	4.1	745	715	675	640	615
	T2	1/2	4.1	940	910	875	840	805
	T3	1/2	4.1	1100	1070	1025	995	965
	T4	1/2	4.1	1220	1180	1155	1115	1085
	T5	1/2	4.1	1385	1350	1330	1290	1270

\* Wet coil with filter †For 208 operation multiply by 0.90

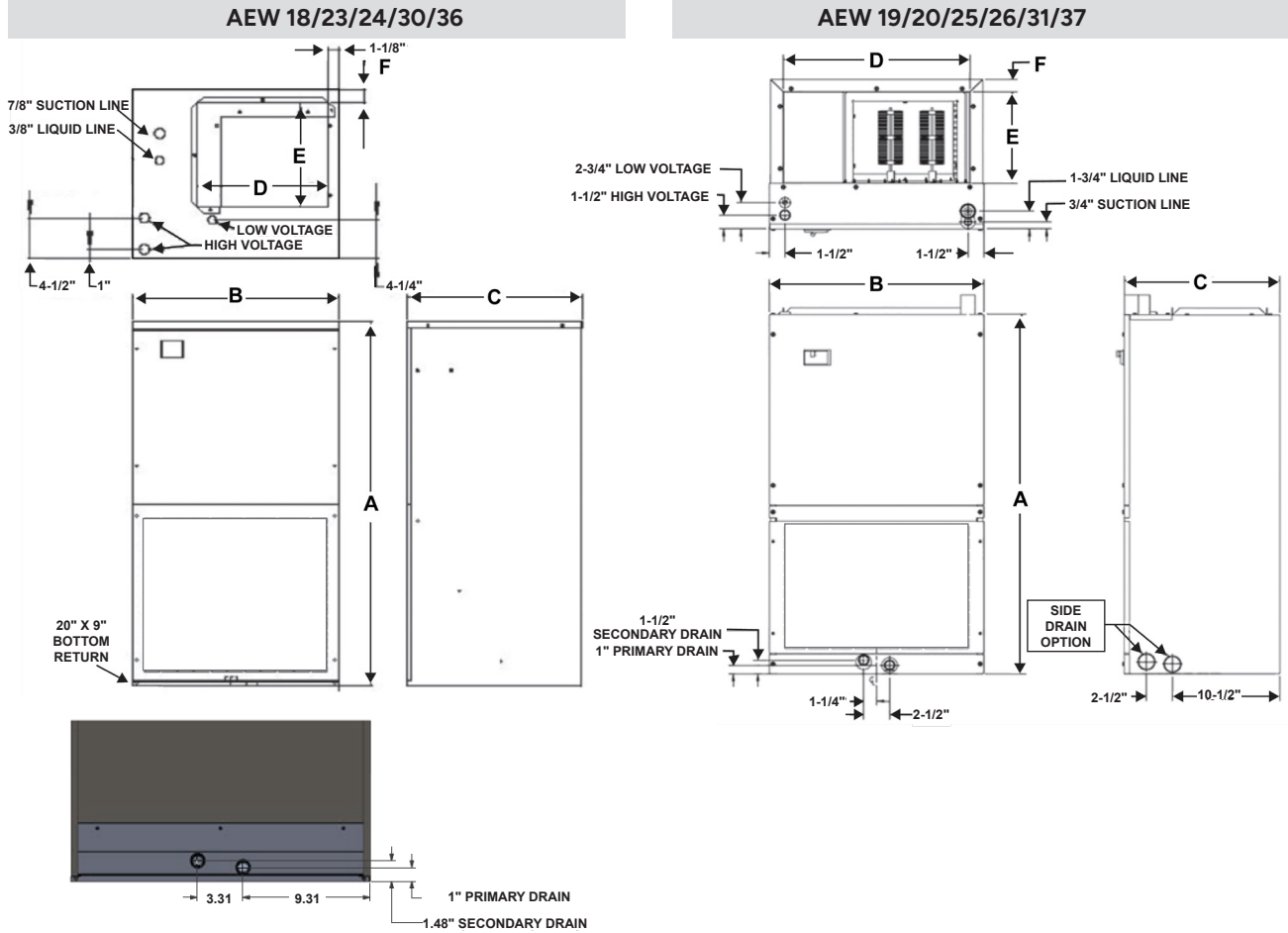
AIR HANDLER CHASSIS NOMENCLATURE			
AEW	NOM. TON.	METERING DEVICE	OPTION CODE
	MBTUH	F	-001
240V ECM MOTOR VERTICAL WALL-MOUNT DOWNFLOW ELECTRIC FURNACE	18 = 18,000 24 = 24,000 30 = 30,000 36 = 36,000	<b>A1 REFRIGERANTS - R410A + R22</b>	CUSTOM OPTIONS
		X = R22 (TXV NON-BLEED AC/HP)    4 = R410A (TXV NON-BLEED AC/HP) B = R22 (TXV 20% BLEED AC/HP)    G = R410A (FLOWRATOR) F = R22 (FLOWRATOR)	
		<b>A2L REFRIGERANTS - R454B + R32</b>	
		J = R454B (TXV NON-BLEED AC/HP)    D = R32 (TXV NON-BLEED AC/HP) K = R454B (TXV 20% BLEED AC/HP)    M = R32 (PISTON) Z = R454B/R32 CONFIGURABLE        N = R454B (PISTON) (Shipped with Piston)	

ELECTRIC HEAT KIT NOMENCLATURE			
HEAT KIT SERIES	POWER CONNECTION	CABINET SIZE	HEAT STRIP
F	C	S/M	KW
WALL-MOUNT ELECTRIC HEAT	C = CIRCUIT BREAKER T = TERMINAL BLOCK	S = 18-26 M = 30-37	00 = 0 KW    03 = 3 KW 05 = 5 KW    06 = 6 KW 08 = 8 KW    10 = 10 KW

In keeping with its commitment to continuous improvement, Aspen Manufacturing reserves the right to make changes without notice and incurring obligation. To stay up-to-date with this product and Aspen's trusted line of coils, air handlers, and more, go to our website. © 2026 Aspen Manufacturing. All Rights Reserved

Phone: 281.441.6500 Toll Free: 800.423.9007 Fax: 281.441.6510 Customer Service: info@aspenmfg.com Warranty Team: warranty@aspenmfg.com

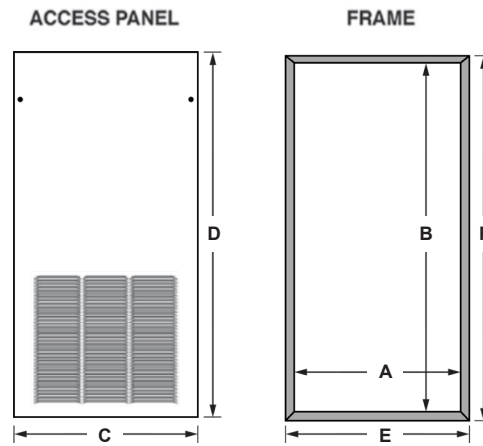
**AEW SERIES: FIGURE 1**



**DIMENSIONS AND SPECIFICATIONS (In.)[mm.] - FIGURE 1**

MODEL	A	B	C	D	E	F	FILTER	PISTON	SHIPPING INFO	
									WEIGHT	QTY
AEW18*	37-1/2 [953]	22 [559]	18-3/4 [476]	14 [356]	10 [254]	3-1/4 [83]	20X20	0.049	90	4
AEW19*	36 [915]	20-1/2 [521]	15 [381]	18 [457]	9-1/4 [235]	1-1/4 [32]	14X18	0.049	80	
AEW20*	36 [915]	20-1/2 [521]	15 [381]	18 [457]	9-1/4 [235]	1-1/4 [32]	14X18	0.049	80	
AEW23*	37-1/2 [953]	22 [559]	18-3/4 [476]	14 [356]	10 [254]	3-1/4 [83]	20X20	0.049	90	
AEW24*	37-1/2 [953]	22 [559]	18-3/4 [476]	14 [356]	10 [254]	3-1/4 [83]	20X20	0.049	90	
AEW25*	36 [915]	20-1/2 [521]	15 [381]	18 [457]	9-1/4 [235]	1-1/4 [32]	14X18	0.055	80	
AEW26*	36 [915]	20-1/2 [521]	15 [381]	18 [457]	9-1/4 [235]	1-1/4 [32]	14X18	0.055	80	
AEW30*	40-1/2 [1029]	22 [559]	18-3/4 [476]	14 [356]	11-1/2 [292]	1-3/8 [35]	20X20	0.059	102	
AEW31*	36 [915]	24 [610]	21 [533]	21-1/2 [546]	12 [305]	1-1/4 [32]	20X20	0.059	90	
AEW36*	40-1/2 [1029]	22 [559]	18-3/4 [476]	14 [356]	11-1/2 [292]	1-3/8 [35]	20X20	0.068	102	
AEW37*	36 [915]	24 [610]	21 [533]	21-1/2 [546]	12 [305]	1-1/4 [32]	20X20	0.068	90	

In keeping with its commitment to continuous improvement, Aspen Manufacturing reserves the right to make changes without notice and incurring obligation. To stay up-to-date with this product and Aspen's trusted line of coils, air handlers, and more, go to our website. © 2026 Aspen Manufacturing. All Rights Reserved



**DIMENSIONS & SPECIFICATIONS (In.)**

PANEL MODEL	FOR USE WITH	FINISH	OPENING SIZE		PANEL SIZE		FRAME SIZE		# OF PANELS
			A	B	C	D	E	F	
WAD-7(S/L)	AEW 18/23/24	EMBOSSSED	22-5/8	39-7/8	24-1/4	41-1/2	24-1/8	41-3/8	1
WAD-8(S/L)	AEW 30/36	EMBOSSSED	22-5/8	42-7/8	24-1/4	44-1/2	24-1/8	44-3/8	
WAD-18(S/L)	AEW 18/23/24	SMOOTH	22-5/8	39-7/8	24-1/4	41-1/2	24-1/8	41-3/8	
WAD-19(S/L)	AEW 30/36	SMOOTH	22-5/8	42-7/8	24-1/4	41-1/2	24-1/8	44-3/8	
WAD-20(S/L)	AEW 19/20/25/26	EMBOSSSED	21-1/8	38-3/8	22-3/4	40	22-5/8	39-7/8	
WAD-21(S/L)	AEW 31/37	EMBOSSSED	24-5/8	38-3/8	26-1/4	40	26-1/8	39-7/8	
WAD-22(S/L)	AEW 19/20/25/26	SMOOTH	21-1/8	38-3/8	22-3/4	40	22-5/8	39-7/8	
WAD-23(S/L)	AEW 31/37	SMOOTH	24-5/8	38-3/8	26-1/4	40	26-1/8	39-7/8	

**HELPFUL LINKS**



**VIEW PRODUCT ONLINE**

For full warranty terms and conditions, please refer to the Warranty Information section on Aspen's official website.



**VIEW VERSA DUAL REFRIGERANT COILS ONLINE**

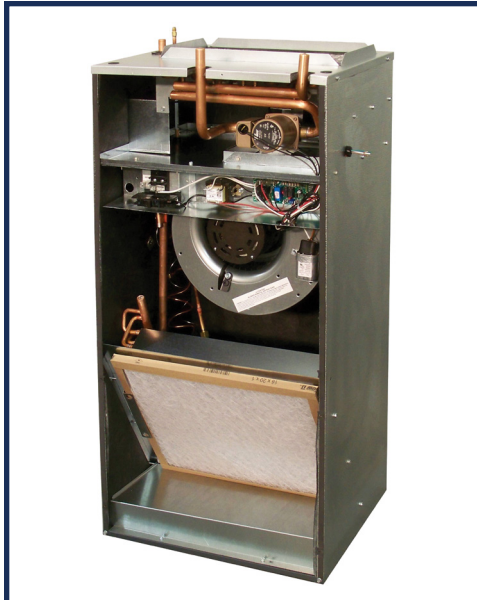
Learn more about Aspen's A2L Refrigerant Technology for R32 and R454B Systems.

In keeping with its commitment to continuous improvement, Aspen Manufacturing reserves the right to make changes without notice and incurring obligation. To stay up-to-date with this product and Aspen's trusted line of coils, air handlers, and more, go to our website. © 2026 Aspen Manufacturing. All Rights Reserved

Phone: 281.441.6500 Toll Free: 800.423.9007 Fax: 281.441.6510 Customer Service: info@aspennmfg.com Warranty Team: warranty@aspennmfg.com

# ABW SERIES

▶ COPPER  
▶ HYDRONIC



*Unit shown with service panels removed. Representative image only. Some models may vary in appearance.*

## APPLICATION VERSATILITY

Front or bottom return air. Offset hanging brackets attach to unit and wall to allow hanging inside closet. Can be AHRI matched with most brands of air conditioners or heat pumps.

- A2L refrigerants require a Refrigerant Detection System (RDS) for compliance. In accordance to UL 60335 Refrigerant Detection Systems are factory-installed on A2L refrigerant ready air handlers.
- ETL listed for R22, R410A, R454B, and R32 refrigerants (A2L refrigerants certified with Refrigerant Detection System (RDS)).

## 120V PSC HYDRONIC MOTOR

Air Handlers come equipped with a standard 120-volt, multi-speed, single-stage PSC motor.

## BLOWER

Direct drive multi-speed blowers circulate air quietly and efficiently. Motor speeds can be easily selected via motor terminals. Rail mounted blowers can be easily removed for service.

## ELECTRONIC CONTROL BOARD

Electronic circuit board provides 30 sec. ON/OFF blower time delay extracting more heat/cool from the coil. An electronic board controls the functioning of the system reducing moving parts. The board provides for various hot water supply source connections and the blower time delay to maximize heat/cool extraction. As an enhanced feature the pump circulates hot water every 6 hours to prevent water stagnation and coil freezing.

## LOW LEAKAGE CABINET

Sturdy, fully insulated galvanized steel cabinet; stick pins ensure 1/2" insulation remains in place. Unit ships with disposable filter. Less than 2.0% air leakage from cabinet when tested in accordance with ASHRAE standard 193.

## DX COIL

High-efficiency rifled copper tubes and enhanced aluminum fins provide maximum heat transfer. All coils are immersion tested at 500 psi, followed by nitrogen pressurization and factory sealing to ensure optimal system integrity and long-term reliability. Liquid-line Schrader valve allows pre-installation pressure assurance testing.

Available with either orifice or TXV metering device. Field-installable bolt-on TXVs are also available. Rugged GLP drain pan holds minimal condensate while eliminating the possibility of corrosion. Drain pan is UV safe. All drain connections are 3/4" NPT. Access door allows for coil cleaning.

## MODULAR HYDRONIC HEAT KITS

Heat kits available with either circuit breakers or terminal blocks. Available in 2, 3 and 4 row, providing 16,000 to 59,000 BTU's of heat. Heat kits are factory-installed. Freeze stat is standard, wired into circulating pump control circuit. Controls are accessible from the front for easy service. Electrical connections can be made from the top or left. Suitable for potable applications. Fan time delay relay standard increased efficiency. Heat kits are available with or without circulating pump and check valve. Units are provided with auxiliary relay for remote pump. Schrader valve ports are standard on water-out manifold, hose bib available as an option. Totally lead free constructed coil. Suitable for potable applications.

**WARRANTY** Five-year limited parts warranty with registration.

**OPTIONS** Ask your local Aspen Sales Rep for customization options.

## DUAL REFRIGERANT

### UNIVERSAL A2L REFRIGERANT TECHNOLOGY FOR R32 & R454B SYSTEMS

#### IDEAL FOR USE WITH ASPEN AIR HANDLERS, AS WELL AS CASED & UNCASSED COILS!

Versa Dual Refrigerant Coils are easily configurable for use with either R32 or R454B refrigerant with proper metering device. Utilizing universal Refrigerant Detection Systems (RDS) to ensure regulatory compliance.

#### OTHER POPULAR CUSTOM OPTION:

Factory or field-installed TXV available.

R51341 11/25



In keeping with its commitment to continuous improvement, Aspen Manufacturing reserves the right to make changes without notice and incurring obligation. To stay up-to-date with this product and Aspen's trusted line of coils, air handlers, and more, go to our website. © 2026 Aspen Manufacturing. All Rights Reserved



ABW SERIES: HEATING/COOLING PERFORMANCE & ELECTRICAL DATA									
MODEL	PERFORMANCE DATA					ELECTRICAL DATA			
	NOM. COOLING	HYDRONIC HEAT KIT MODEL	# ROWS	COIL Δ P. FT. WATER	HEATING CAPACITY(BTU) STANDARD PUMP@ 3.5 GPM ENTERING WATER TEMP.			MIN. CIRCUIT AMPACITY (MCA)	MAX. BREAKER OR FUSE SIZE
					120°	140°	180°		
ABW 18	18,000	U(C,T)2S(P,L)	2	3.0	18800	26600	42300	4.28	15A
		U(C,T)3S(P,L)	3	1.8	21600	30400	48500		
ABW 24	24,000	U(C,T)2S(P,L)	2	3.0	21000	30100	48000	4.28	
		U(C,T)3S(P,L)	3	1.8	24700	34800	55600		
ABW 30	30,000	U(C,T)2S(P,L)	2	3.0	23200	32800	52500	7.53	
		U(C,T)3S(P,L)	3	1.8	27000	38200	61100		
		U(C,T)4S(P,L)	4	1.1	28300	40100	64000		
ABW 36	36,000	U(C,T)2S(P,L)	2	3.0	24700	35000	56000	7.53	
		U(C,T)3S(P,L)	3	1.8	29900	41000	65500		
		U(C,T)4S(P,L)	4	1.1	30400	43000	68800		

BLOWER DATA								
MODEL	120V PSC MOTOR			CFM VS EXTERNAL STATIC (DRY COIL)				
	SPEED	HP	AMP	0.1	0.2	0.3	0.4	0.5
ABW 18/24	LOW	1/5	2.8	772	736	690	633	574
	HIGH	1/5	2.8	829	784	732	663	600
ABW 30/36	LOW	1/3	5.8	1000	980	920	870	800
	HIGH	1/3	5.4	1210	1190	1160	1130	1070

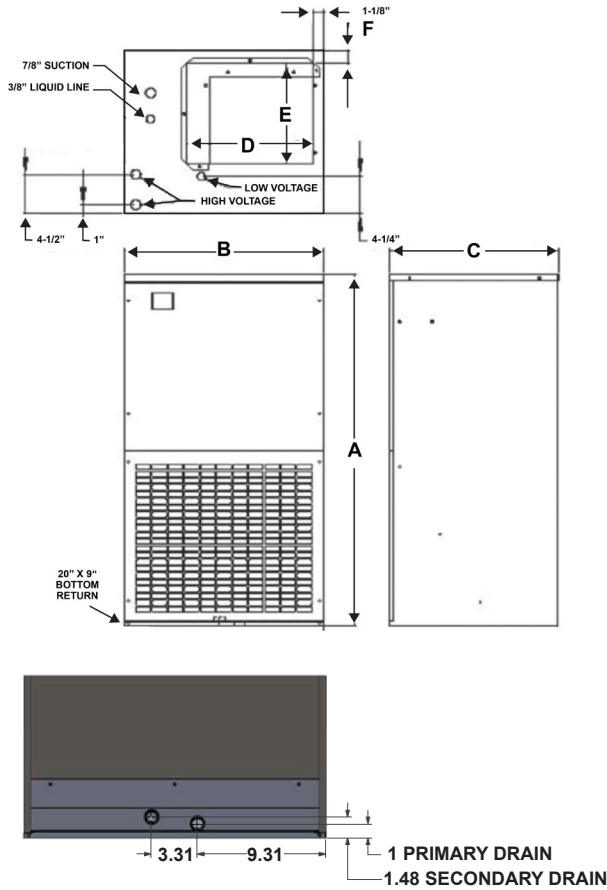
AIR HANDLER CHASSIS NOMENCLATURE				
ABW	NOM. TON.	METERING DEVICE		OPTION CODE
	MBTUH	F		-001
120V PSC MOTOR VERTICAL WALL MOUNT	18 = 18,000 24 = 24,000 30 = 30,000 36 = 36,000	<b>A1 REFRIGERANTS - R410A + R22</b>		CUSTOM OPTIONS
		B = R22 (TXV 20% BLEED AC/HP) F = R22 (FLOWRATOR)	4 = R410A (TXV NON-BLEED AC/HP) G = R410A (FLOWRATOR)	
		<b>A2L REFRIGERANTS - R454B + R32</b>		
		J = R454B (TXV NON-BLEED AC/HP) K = R454B (TXV 20% BLEED AC/HP) N = R454B (PISTON)	D = R32 (TXV NON-BLEED AC/HP) M = R32 (PISTON) Z = R454B/R32 CONFIGURABLE (Shipped w/ R454B Piston)	

HYDRONIC HEAT NOMENCLATURE				
HEAT KIT SERIES	POWER CONNECTION	# ROWS	CABINET SIZE	PUMP TYPE
U	C	2	S	P
WALL MOUNT HYDRONIC HEAT	C = CIRCUIT BREAKER T = TERMINAL BLOCK	2 = 2 3 = 3 4 = 4	S = 18 - 36	L = No Pump P = Taco 006 Pump (factory installed) 8 = Taco 008 Pump High Head (factory installed) R = Taco 009 Pump High Head (to be mounted external to all units except for multi-position units)

In keeping with its commitment to continuous improvement, Aspen Manufacturing reserves the right to make changes without notice and incurring obligation. To stay up-to-date with this product and Aspen's trusted line of coils, air handlers, and more, go to our website. © 2026 Aspen Manufacturing. All Rights Reserved

Phone: 281.441.6500 Toll Free: 800.423.9007 Fax: 281.441.6510 Customer Service: info@aspenmfg.com Warranty Team: warranty@aspenmfg.com

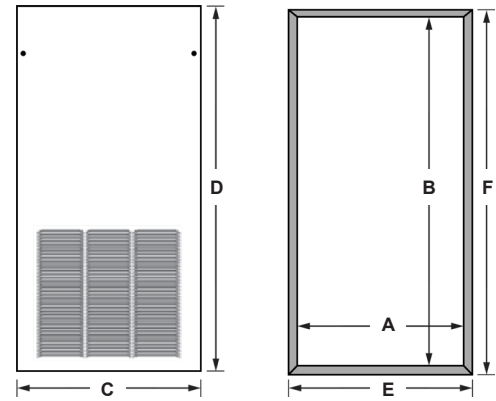
**FIGURE 1**



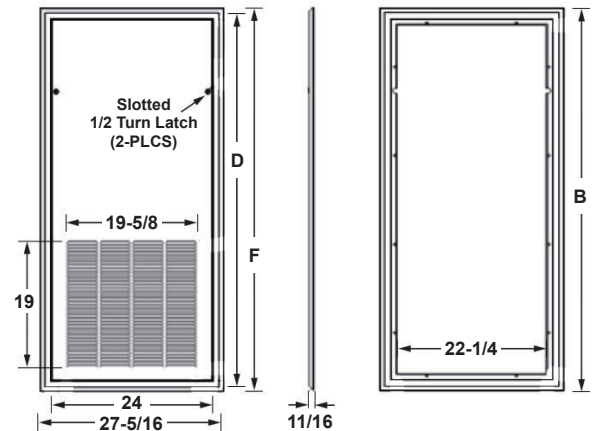
Note: Code may require installer to use conduit

**FIGURE 2**

**WAD-9, 10, 16, 17**



**WAD-24, 25 (S/L)**



**ABW SERIES: DIMENSIONS & SHIPPING SPECIFICATIONS (In.)[mm.]- FIGURE 1**

MODEL	A	B	C	OPENING SIZE		FILTER	SHIPPING INFO	
				D	E	1" DEPTH	WEIGHT	MIN. QTY
ABW18*	44-1/2 [113]	22 [56]	18-3/4 [48]	17-5/8 [45]	10-1/2 [27]	20X20	110	4
ABW24*							110	
ABW30*							118	
ABW36*							118	

**DIMENSIONS (In.) - FIGURE 2**

PANEL MODEL	FINISH	OPENING SIZE		PANEL SIZE		FRAME SIZE		# OF PANELS
		A	B	C	D	E	F	
WAD-16(S/L)	Smooth	22-1/4	52	24-1/4	54	24-1/8	53-7/8	1
WAD-17(S/L)	Smooth	22-1/4	46	24-1/4	48	24-1/8	47-7/8	
WAD-24(S/L)	Smooth	22-1/4	52	24	54	27-5/16	51-1/4	
WAD-25(S/L)	Smooth	22-1/4	46	24	48	27-5/16	51-1/4	

**HELPFUL LINKS**



**VIEW PRODUCT ONLINE**

For full warranty terms and conditions, please refer to the Warranty Information section on Aspen's official website.



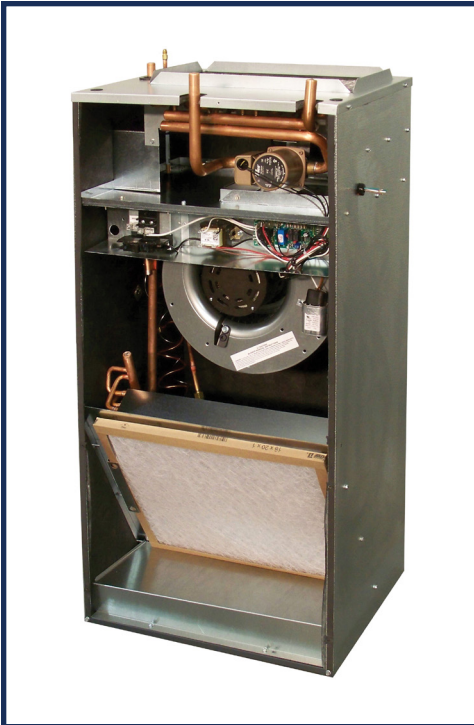
**VIEW VERSA DUAL REFRIGERANT COILS ONLINE**

Learn more about Aspen's A2L Refrigerant Technology for R32 and R454B Systems.

# AFW SERIES

▶ COPPER  
▶ HYDRONIC

WALL MOUNT  
AIR HANDLERS



Unit shown with service panels removed. Representative image only. Some models may vary in appearance.

## APPLICATION VERSATILITY

Front or bottom return air. Offset hanging brackets attach to unit and wall to allow hanging inside closet. Can be AHRI matched with most brands of air conditioners or heat pumps.

- A2L refrigerants require a Refrigerant Detection System (RDS) for compliance. In accordance to UL 60335 Refrigerant Detection Systems are factory-installed on A2L refrigerant ready air handlers.
- ETL listed for R22, R410A, R454B, and R32 refrigerants (A2L refrigerants certified with Refrigerant Detection System (RDS)).

## 120V CONSTANT TORQUE ECM MOTOR

Pre-programmed, 5-speed, 120V ECM motors that ensure higher efficiency and increased energy savings by delivering constant torque during operation. Motors are pre-programmed with speeds and torques at the factory for optimal performance and reliability. Direct drive blowers circulate air quietly and efficiently. Rail mounted blowers provide easy removal for service and maintenance.

## BLOWER

Direct drive multi-speed blowers circulate air quietly and efficiently. Motor speeds can be easily selected via motor terminals. Rail mounted blowers can be easily removed for service.

## ELECTRONIC CONTROL BOARD

Electronic circuit board provides 30 sec. ON/OFF blower time delay extracting more heat/cool from the coil. An electronic board controls the functioning of the system reducing moving parts. The board provides for various hot water supply source connections and the blower time delay to maximize heat/cool extraction. As an enhanced feature the pump circulates hot water every 6 hours to prevent water stagnation and coil freezing.

## LOW LEAKAGE CABINET

Sturdy, fully insulated galvanized steel cabinet; stick pins ensure 1/2" insulation remains in place. Unit ships with disposable filter. Less than 2.0% air leakage from cabinet when tested in accordance with ASHRAE standard 193. Unit must be installed according to Aspen installation instructions.

## DX COIL

High-efficiency rifled copper tubes and enhanced aluminum fins provide maximum heat transfer. All coils are immersion tested at 500 psi, followed by nitrogen pressurization and factory sealing to ensure optimal system integrity and long-term reliability. Liquid-line Schrader valve allows pre-installation pressure assurance testing.

Available with either orifice or TXV metering device. Field-installable bolt-on TXVs are also available. Rugged GLP drain pan holds minimal condensate while eliminating the possibility of corrosion. Drain pan is UV safe, access door allows for coil cleaning.

## MODULAR HYDRONIC HEAT KITS

Air Handlers are available with either factory-installed circuit breakers or terminal blocks. Hydronic coils come in 2, 3 and 4 row with the options of pump or no pump configurations. Freeze stat is standard, wired into circulating pump control circuit. Controls are accessible from the front for easy service. Electrical connections can be made from the top or left. Fan time delay relay standard for increased efficiency. Heat kits are available with or without circulating pump and check valve. Units are provided with auxiliary relay for remote pump. Schrader valve ports are standard on water-out manifold, hose bib available as an option.

**WARRANTY** Five-year limited parts warranty with registration.

**OPTIONS** Ask your local Aspen Sales Rep for customization options.

## DUAL REFRIGERANT

### UNIVERSAL A2L REFRIGERANT TECHNOLOGY FOR R32 & R454B SYSTEMS

#### IDEAL FOR USE WITH ASPEN AIR HANDLERS, AS WELL AS CASED & UNCASSED COILS!

Versa Dual Refrigerant Coils are easily configurable for use with either R32 or R454B refrigerant with proper metering device. Utilizing universal Refrigerant Detection Systems (RDS) to ensure regulatory compliance.

#### OTHER POPULAR CUSTOM OPTION:

Factory or field-installed TXV available.

R51341 11/25



In keeping with its commitment to continuous improvement, Aspen Manufacturing reserves the right to make changes without notice and incurring obligation. To stay up-to-date with this product and Aspen's trusted line of coils, air handlers, and more, go to our website. © 2026 Aspen Manufacturing. All Rights Reserved

Phone: 281.441.6500 Toll Free: 800.423.9007 Fax: 281.441.6510 Customer Service: info@aspenmfg.com Warranty Team: warranty@aspenmfg.com





**AFW SERIES: HEATING/COOLING PERFORMANCE & ELECTRICAL DATA**

MODEL	PERFORMANCE DATA							ELECTRICAL DATA	
	NOM. COOL.	HYDRONIC HEAT KIT MODEL	ROWS	COIL Δ P.	HEATING CAPACITY BTU/HR STANDARD PUMP @ 3.5 GPM NOMINAL AIRFLOW			MIN. CIRCUIT AMPACITY (MCA)	MAX. BREAKER OR FUSE SIZE
					FT. WATER	ENTERING WATER TEMP.			
				120°		140°	180°		
AFW 18	18,000	U(C,T)2S(P,L)	2	3.0	18800	26600	42300	6.78	15A
		U(C,T)3S(P,L)	3	1.8	21600	30400	48500		
AFW 24	24,000	U(C,T)2S(P,L)	2	3.0	21000	30100	48000	6.78	15A
		U(C,T)3S(P,L)	3	1.8	24700	34800	55600		
AFW 30	30,000	U(C,T)2S(P,L)	2	3.0	23200	32800	52500	9.28	15A
		U(C,T)3S(P,L)	3	1.8	27000	38200	61100		
		U(C,T)4S(P,L)	4	1.1	28300	40100	64000		
AFW 36	36,000	U(C,T)2S(P,L)	2	3.0	24700	35000	56000	9.28	15A
		U(C,T)3S(P,L)	3	1.8	29900	41000	65500		
		U(C,T)4S(P,L)	4	1.1	30400	43000	68800		

**BLOWER DATA**

MODEL	MOTOR HP	MOTOR AMPS	MOTOR VOLTAGE	SPEED TAP	CFM VS EXTERNAL STATIC				
					0.1	0.2	0.3	0.4	0.5
AFW 18/24	1/3	4.8	120V	T5	900	851	800	742	682
				T4	652	630	591	556	530
				T3	500	476	452	421	400
				T2	400	381	360	339	312
				T1	900	851	800	742	682
AFW 30/36	1/2	6.8		T5	1150	1087	1030	975	910
				T4	1080	1048	1010	960	895
				T3	900	862	825	798	745
				T2	700	663	632	600	552
				T1	500	473	449	421	395

**AIR HANDLER CHASSIS NOMENCLATURE**

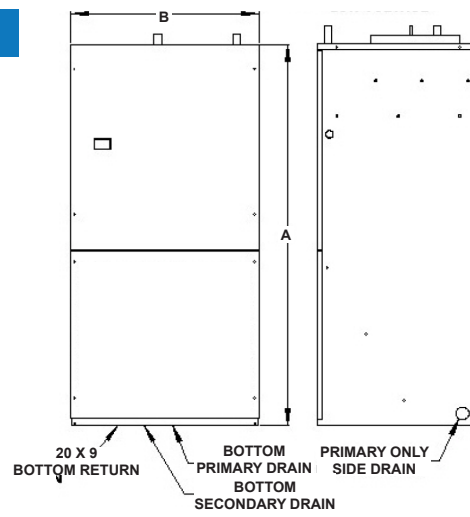
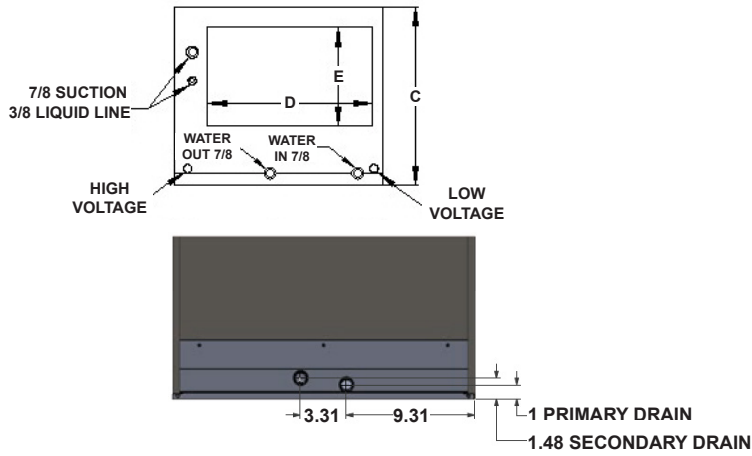
ASPEN A1			
AFW	18	4	-000
120V / ECM MOTOR (Constant torque) Hydronic wall mount Air handler	NOMINAL TONNAGE (MBTUH)	<b>METERING DEVICE</b>	OPTION CODE
		4 = R410A (TXV NON-BLEED A/C or H/P) G = R410A (PISTON) X = R22 (TXV NON-BLEED A/C or H/P) B = R22 (TXV 20% BLEED A/C or H/P) F = R22 (PISTON)	
ASPEN A2L			
AFW	18	J	-000
120V / ECM MOTOR (Constant Torque) Hydronic Wall Mount Air Handler	NOMINAL TONNAGE (MBTUH)	<b>METERING DEVICE</b>	OPTION CODE
		J = R454B (TXV NON-BLEED A/C OR H/P) K = R454B (TXV 20% BLEED A/C OR H/P) N = R454B (PISTON) D = R32 (TXV NON-BLEED A/C OR H/P) M = R32 (PISTON)	

**HYDRONIC HEAT KIT NOMENCLATURE**

U	C	2	S	P
WALL MOUNT HYDRONIC HEAT	C = CIRCUIT BREAKER T = TERMINAL BLOCK	2 = 2 3 = 3 4 = 4	S = 18 - 36	L = No Pump P = Taco 006 Pump (factory installed) 8 = Taco 008 Pump High Head (factory installed) R = Taco 009 Pump High Head (to be mounted external to all units except for multi-position units)

In keeping with its commitment to continuous improvement, Aspen Manufacturing reserves the right to make changes without notice and incurring obligation. To stay up-to-date with this product and Aspen's trusted line of coils, air handlers, and more, go to our website. © 2026 Aspen Manufacturing. All Rights Reserved

**FIGURE 1**



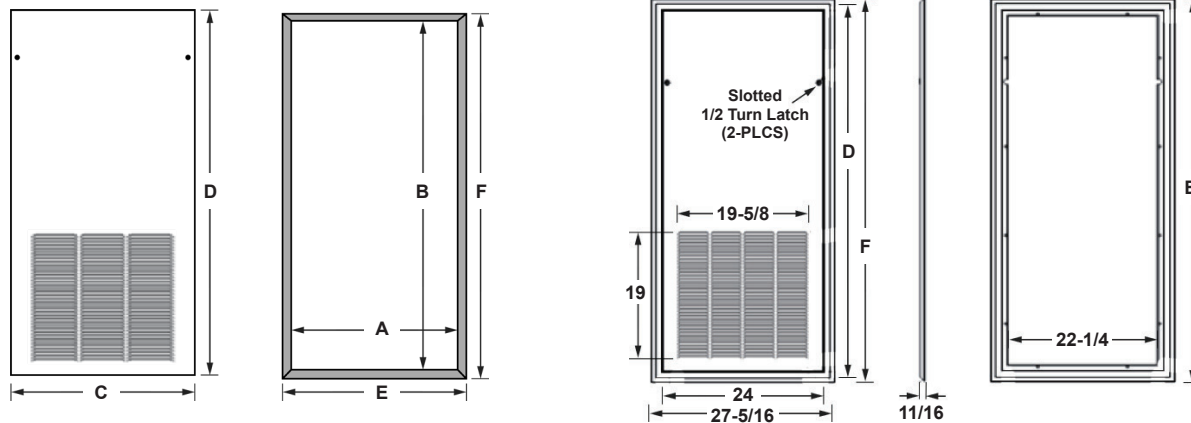
**AFW SERIES: DIMENSIONS & SPECIFICATIONS (In.)[mm.] - FIGURE 1**

MODEL	A	B	C	D	E	FILTER	SHIPPING INFO	
						1" DEPTH	SHIP. WEIGHT	SKID QTY
AFW: 18*	(44 1/2) [1130]	(22) [559]	(18 3/4) [476]	(17 5/8) [448]	(10 1/2) [267]	18x20	110	4
AFW: 24*	(44 1/2) [1130]	(22) [559]	(18 3/4) [476]	(17 5/8) [448]	(10 1/2) [267]			
AFW: 30*	(44 1/2) [1130]	(22) [559]	(18 3/4) [476]	(17 5/8) [448]	(10 1/2) [267]	20x20	118	
AFW: 36*	(44 1/2) [1130]	(22) [559]	(18 3/4) [476]	(17 5/8) [448]	(10 1/2) [267]			

**FIGURE 2**

**WAD-9, 10, 16, 17**

**WAD-24, 25 (S/L)**



**AFW SERIES: DIMENSIONS (In.)[mm.] - FIGURE 2**

PANEL MODEL	FINISH	OPENING SIZE		PANEL SIZE		FRAME SIZE		# OF PANELS
		A	B	C	D	E	F	
WAD-9(S/L)	Embossed	22-5/8	46-3/8	24-1/4	48	24-1/8	47-7/8	1
WAD-10(S/L)	Embossed	22-5/8	52-3/8	24-1/4	54	24-1/8	53-7/8	
WAD-16(S/L)	Smooth	22-1/4	52	24-1/4	54	24-1/8	53-7/8	
WAD-17(S/L)	Smooth	22-1/4	46	24-1/4	48	24-1/8	47-7/8	
WAD-24(S/L)	Smooth	22-1/4	52	24	54	27-1/3	51-1/4	
WAD-25(S/L)	Smooth	22-1/4	46	24	48	27-1/3	51-1/4	

In keeping with its commitment to continuous improvement, Aspen Manufacturing reserves the right to make changes without notice and incurring obligation. To stay up-to-date with this product and Aspen's trusted line of coils, air handlers, and more, go to our website. © 2026 Aspen Manufacturing. All Rights Reserved

Phone: 281.441.6500 Toll Free: 800.423.9007 Fax: 281.441.6510 Customer Service: info@aspenmfg.com Warranty Team: warranty@aspenmfg.com

# AAW SERIES ▶ COPPER ▶ ELECTRIC



*Unit shown with service panels removed. Representative image only. Some models may vary in appearance.*

## APPLICATION VERSATILITY

Front or bottom return air position. Offset hanging brackets attach to unit and wall to allow hanging inside closet. Can be AHRI matched with most brands of air conditioners or heat pumps.

- A2L refrigerants require a Refrigerant Detection System (RDS) for compliance. In accordance to UL 60335 Refrigerant Detection Systems are factory-installed on A2L refrigerant-ready air handlers.
- ETL listed for R22, R410A, R454B, and R32 refrigerants (A2L refrigerants certified with Refrigerant Detection System (RDS)).

## 240V PSC MOTOR

The 240V PSC Motor with Electric Heat Option features a direct drive, multi-speed blower that delivers quiet and efficient air circulation. A two-speed motor allows for precise airflow selection, while clearly labeled motor terminals make speed adjustments simple and accurate. The plate-mounted blower assembly enables quick removal for easy service and maintenance. Built for reliability and consistent performance, this motor option is ideal for electric heat applications.

## BLOWER

Direct drive multi-speed blowers circulate air quietly and efficiently. Motor speeds can be easily selected via motor terminals. Rail mounted blowers can be easily removed for service.

## ELECTRONIC CIRCUIT BOARD

Electronic circuit board provides 30 secs ON/OFF blower time delay extracting more heat/cool from the coil. Automotive-style pull fuse protection on the circuit board to provide low voltage and transformer protection. Fan time delay relay standard for increased efficiency.

## LOW LEAKAGE CABINET

Sturdy, fully insulated galvanized steel cabinet; stick pins ensure 1/2" insulation remains in place. Unit ships with disposable filter. Less than 1.4% air leakage from cabinet when tested in accordance with ASHRAE standard 193. Unit must be installed according to Aspen installation instructions.

## DX COIL

High-efficiency rifled copper tubes and enhanced aluminum fins provide maximum heat transfer. All coils are immersion tested at 500 psi, followed by nitrogen pressurization and factory sealing to ensure optimal system integrity and long-term reliability. Coil mounted Schrader valve allows pre-installation pressure testing.

Available with either check style flowrator or TXV metering device. Field-installable TXVs are also available. Powder coated metal drain pan holds minimal condensate while eliminating the possibility of corrosion. Drain pans with bottom primary and secondary drain connections or alternate right-side primary. All connections 3/4" FPT. Access door allows for coil cleaning.

## MODULAR ELECTRIC HEAT KITS

Heat kits available with either circuit breakers or terminal blocks. Available from 3 to 10 KW. Models with electric heat include sequencers and temperature limit switches for safe, efficient operation. Modules are easily installed in the field using molex plugs or can be ordered factory-installed. Controls are accessible from the front for easy service. Electrical connections can be made from the top or left. Disconnect does not protrude through the wall panel.

**WARRANTY** Ten-year limited parts warranty with registration.

**OPTIONS** Ask your local Aspen Sales Rep for customization options.

## DUAL REFRIGERANT

### UNIVERSAL A2L REFRIGERANT TECHNOLOGY FOR R32 & R454B SYSTEMS

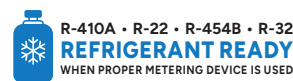
#### IDEAL FOR USE WITH ASPEN AIR HANDLERS, AS WELL AS CASED & UNCASSED COILS!

Versa Dual Refrigerant Coils are easily configurable for use with either R32 or R454B refrigerant with proper metering device. Utilizing universal Refrigerant Detection Systems (RDS) to ensure regulatory compliance.

#### OTHER POPULAR CUSTOM OPTION:

Factory or field-installed TXV available.

R51341 11/25



In keeping with its commitment to continuous improvement, Aspen Manufacturing reserves the right to make changes without notice and incurring obligation. To stay up-to-date with this product and Aspen's trusted line of coils, air handlers, and more, go to our website. © 2026 Aspen Manufacturing. All Rights Reserved

**AAW SERIES: HEATING/COOLING PERFORMANCE & ELECTRICAL DATA**

ASPEN MODEL	NOMINAL COOLING	PERFORMANCE DATA						ELECTRICAL DATA				
		ELECTRIC HEAT KIT MODEL	MIN. SPEED TAP	HEATING (KW)		HEATING CAPACITY (MBTUH)		MIN. CIRCUIT AMPACITY (MCA)		MAX. BREAKER OR FUSE SIZE (MFU)		
				208V	240V	208V	240V	208V	240V	208V	240V	
AAW 18	18,000	F(C,T)S00	-	0.0	0.0	0.0	0.0	1.8	1.8	15A	15A	
		F(C,T)S03	LO	2.3	3.0	7.7	10.2	15.3	17.4	20A	20A	
		F(C,T)S05	LO	3.6	4.8	12.3	16.4	23.4	26.8	25A	30A	
		F(C,T)S06	HI	4.5	6.0	15.3	20.5	28.8	33.0	30A	35A	
		F(C,T)S08	HI	6.0	8.0	20.5	27.3	37.8	43.4	40A	45A	
		F(C,T)S10	HI	7.2	9.6	24.6	32.7	45.0	51.8	45A	60A	
AAW 19/20		18,000	F(C,T)S00	-	0.0	0.0	0.0	0.0	1.8	1.8	15A	15A
			F(C,T)S03	LO	2.3	3.0	7.7	10.2	15.3	17.4	20A	20A
			F(C,T)S05	LO	3.6	4.8	12.3	16.4	23.4	26.8	25A	30A
			F(C,T)S06	HI	4.5	6.0	15.3	20.5	28.8	33.0	30A	35A
			F(C,T)S08	HI	6.0	8.0	20.5	27.3	37.8	43.4	40A	45A
			F(C,T)S10	HI	7.2	9.6	24.6	32.7	45.0	51.8	45A	60A
AAW 23/24	24,000		F(C,T)S00	-	0.0	0.0	0.0	0.0	1.8	1.8	15A	15A
			F(C,T)S03	LO	2.3	3.0	7.7	10.2	15.3	17.4	20A	20A
			F(C,T)S05	LO	3.6	4.8	12.3	16.4	23.4	26.8	25A	30A
			F(C,T)S06	HI	4.5	6.0	15.3	20.5	28.8	33.0	30A	35A
			F(C,T)S08	HI	6.0	8.0	20.5	27.3	37.8	43.4	40A	45A
			F(C,T)S10	HI	7.2	9.6	24.6	32.7	45.0	51.8	45A	60A
AAW 25/26		24,000	F(C,T)S00	-	0.0	0.0	0.0	0.0	1.8	1.8	15A	15A
			F(C,T)S03	LO	2.3	3.0	7.7	10.2	15.3	17.4	20A	20A
			F(C,T)S05	LO	3.6	4.8	12.3	16.4	23.4	26.8	25A	30A
			F(C,T)S06	HI	4.5	6.0	15.3	20.5	28.8	33.0	30A	35A
			F(C,T)S08	HI	6.0	8.0	20.5	27.3	37.8	43.4	40A	45A
			F(C,T)S10	HI	7.2	9.6	24.6	32.7	45.0	51.8	45A	60A
AAW 30/31	30,000		F(C,T)M00	-	0.0	0.0	0.0	0.0	3.3	3.3	15A	15A
			F(C,T)M03	LO	2.3	3.0	7.7	10.2	16.8	18.9	20A	20A
			F(C,T)M05	LO	3.6	4.8	12.3	16.4	24.9	28.3	25A	30A
			F(C,T)M06	LO	4.5	6.0	15.3	20.5	30.3	34.5	35A	35A
			F(C,T)M08	LO	6.0	8.0	20.5	27.3	39.3	44.9	40A	45A
			F(C,T)M10	LO	7.2	9.6	24.6	32.7	46.5	53.3	50A	60A
AAW 36/37		36,000	F(C,T)M00	-	0.0	0.0	0.0	0.0	3.3	3.3	15A	15A
			F(C,T)M03	LO	2.3	3.0	7.7	10.2	16.8	18.9	20A	20A
			F(C,T)M05	LO	3.6	4.8	12.3	16.4	24.9	28.3	25A	30A
			F(C,T)M06	HI	4.5	6.0	15.3	20.5	30.3	34.5	35A	35A
			F(C,T)M08	HI	6.0	8.0	20.5	27.3	39.3	44.9	40A	45A
			F(C,T)M10	HI	7.2	9.6	24.6	32.7	46.5	53.3	50A	60A

**AIR HANDLERS**  
VERTICAL WALL MOUNT



In keeping with its commitment to continuous improvement, Aspen Manufacturing reserves the right to make changes without notice and incurring obligation. To stay up-to-date with this product and Aspen's trusted line of coils, air handlers, and more, go to our website. © 2026 Aspen Manufacturing. All Rights Reserved

Phone: 281.441.6500 Toll Free: 800.423.9007 Fax: 281.441.6510 Customer Service: info@aspenmfg.com Warranty Team: warranty@aspenmfg.com



AAW SERIES: BLOWER DATA								
MODEL	240V ECM MOTOR			CFM V. EXTERNAL STATIC				
	MOTOR HP	MOTOR FL	SPEED TAP	0.1	0.2	0.3	0.4	0.5
AAW 18/23/24	1/5	1.4A	LOW	834	795	746	687	620
			HIGH	930	888	823	749	680
AAW 19/25			LOW	740	710	685	650	615
			HIGH	930	880	830	770	710
AAW 20/26			LOW	727	696	674	640	604
			HIGH	909	866	814	757	696
AAW 30/36	1/3	2.6A	LOW	1123	1094	1062	1034	1000
			HIGH	1396	1358	1313	1261	1200
AAW 31/37			LOW	1154	1100	1042	982	901
			HIGH	1256	1193	1113	1057	982

AIR HANDLER CHASSIS NOMENCLATURE			
AAW	NOM. TON.	METERING DEVICE	OPTION CODE
	MBTUH	4	-001
240V PSC MOTOR VERTICAL WALL MOUNT AIR HANDLER	18 = 18,000 24 = 24,000 30 = 30,000 36 = 36,000	<b>A1 REFRIGERANTS - R410A + R22</b>	CUSTOM OPTIONS
		<b>4</b> = R410A (TXV NON-BLEED AC/HP) <b>X</b> = R22 (TXV NON-BLEED AC/HP) <b>G</b> = R410A (FLOWRATOR) <b>B</b> = R22 (TXV 20% BLEED AC/HP) <b>F</b> = R22 (FLOWRATOR)	
		<b>A2L REFRIGERANTS - R454B + R32</b>	
		<b>J</b> = R454B (TXV NON-BLEED AC/HP) <b>D</b> = R32 (TXV NON-BLEED AC/HP) <b>K</b> = R454B (TXV 20% BLEED AC/HP) <b>M</b> = R32 (PISTON) <b>Z</b> = R454B/R32 CONFIGURABLE (Shipped with R454B Piston) <b>N</b> = R454B (PISTON)	

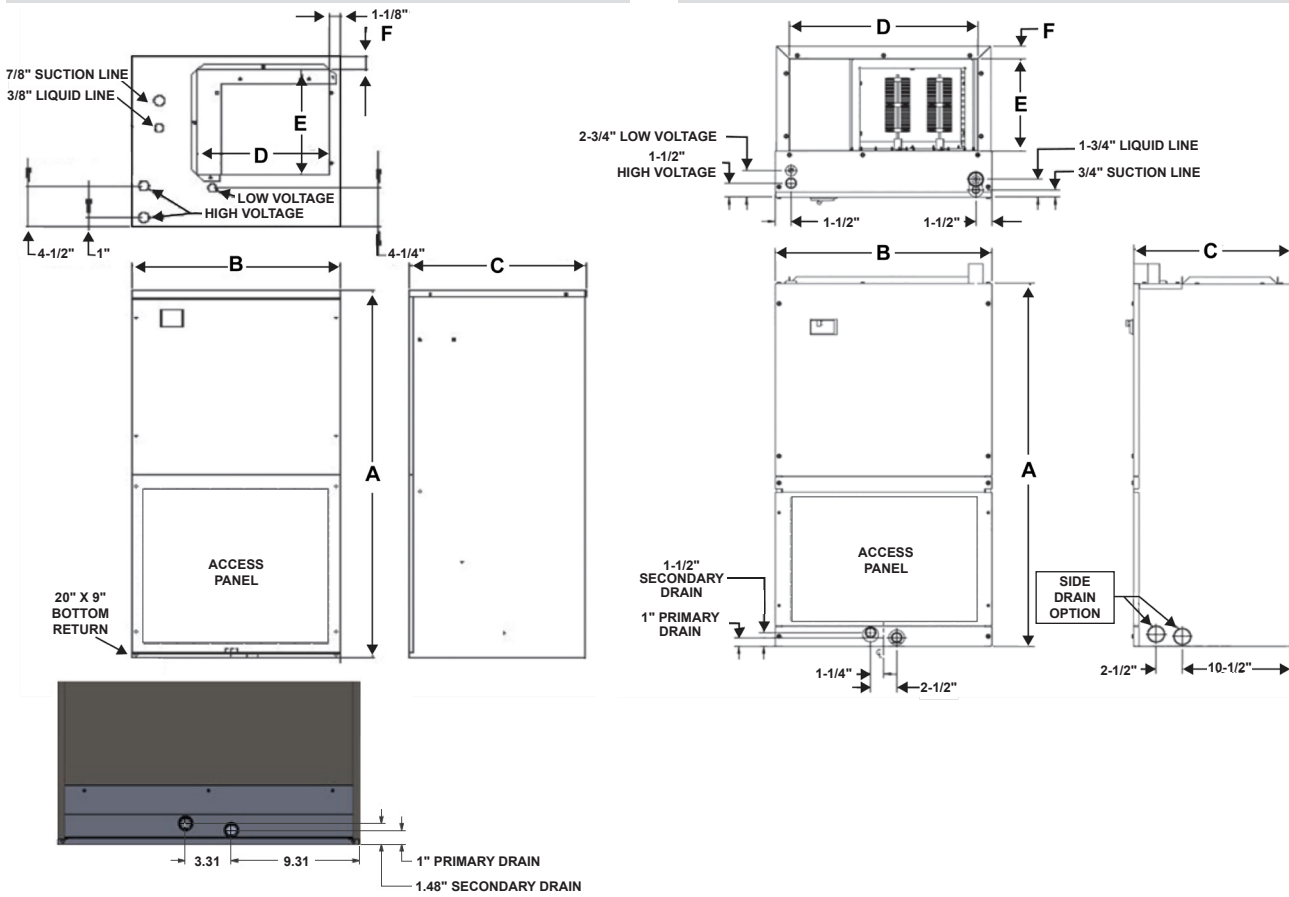
ELECTRIC HEAT NOMENCLATURE			
HEAT KIT SERIES	POWER CONNECTION	CABINET SIZE & NOM. TONNAGE	HEAT STRIP
F	C	S/M	KW
WALL MOUNT ELECTRIC HEAT	<b>C</b> = CIRCUIT BREAKER <b>T</b> = TERMINAL BLOCK	<b>S</b> = 18-26 <b>M</b> = 30-37	<b>00</b> = 0 KW <b>03</b> = 3 KW <b>05</b> = 5 KW <b>06</b> = 6 KW <b>08</b> = 8 KW <b>10</b> = 10 KW

In keeping with its commitment to continuous improvement, Aspen Manufacturing reserves the right to make changes without notice and incurring obligation. To stay up-to-date with this product and Aspen's trusted line of coils, air handlers, and more, go to our website. © 2026 Aspen Manufacturing. All Rights Reserved

**FIGURE 1**

AAW 18/23/24/25-031/30/36/37-032

AAW 19/20/25/26/31/37



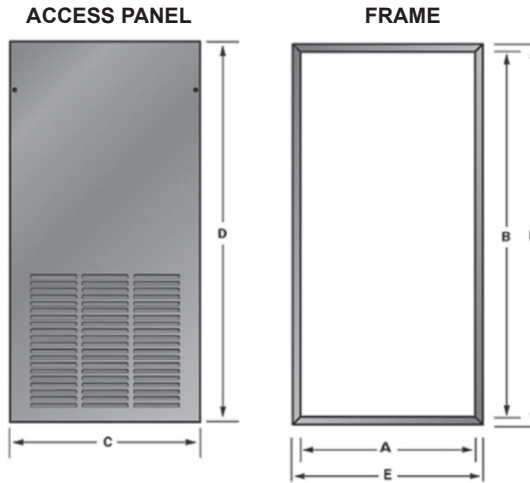
**AAW DIMENSIONS (In.)[mm.] - FIGURE 1**

MODEL	A	B	C	D	E	F	FILTER	SHIPPING INFO.	
							1" DEPTH	WEIGHT	QTY
AAW 18/23/24	37-1/2 [953]	22 [559]	18-3/4 [476]	14 [356]	10 [254]	3-1/4 [83]	20X20	90	4
AAW 30/36	40-1/2 [1029]	22 [559]	18-3/4 [476]	14 [356]	11-1/2 [292]	1-3/8 [35]	20X20	102	
AAW 19/20/25/26	36 [915]	20-1/ [521]	15 [381]	18 [457]	9-1/4 [235]	1-1/4 [32]	14X18	80	
AAW25*-031 AAW37*-032	36 [915]	20-1/2 [521]	15 [381]	14 [356]	10 [254]	1-1/4 [32]	14X18	80	
AAW 31/37	36 [915]	24 [559]	21 [533]	20-1/2 [521]	12 [305]	1-1/4 [32]	20X20	90	

In keeping with its commitment to continuous improvement, Aspen Manufacturing reserves the right to make changes without notice and incurring obligation. To stay up-to-date with this product and Aspen's trusted line of coils, air handlers, and more, go to our website. © 2026 Aspen Manufacturing. All Rights Reserved

Phone: 281.441.6500 Toll Free: 800.423.9007 Fax: 281.441.6510 Customer Service: info@aspenmfg.com Warranty Team: warranty@aspenmfg.com

**FIGURE 2**



**DIMENSIONS & SPECIFICATIONS (In.) - FIGURE 2**

PANEL MODEL	FOR USE WITH	FINISH	OPENING SIZE		PANEL DIMENSION		FRAME DIMENSION		# OF PANELS
			A	B	C	D	E	F	
WAD-7(S/L)	AAW 18/23/24	Embossed	22-5/8	39-7/8	24-1/2	41-1/2	24-1/8	41-3/8	1
WAD-8(S/L)	AAW 30/36	Embossed	22-5/8	42-7/8	24-1/2	44-1/2	24-1/8	44-3/8	
WAD-18(S/L)	AAW 18/23/24	Smooth	22-5/8	39-7/8	24-1/2	41-1/2	24-1/8	41-3/8	
WAD-19(S/L)	AAW 30/36	Smooth	22-5/8	42-7/8	24-1/2	44-1/2	24-1/8	44-3/8	
WAD-20(S/L)	AAW 19/20/25/26 AAW 25*-031* AAW 37*-032*	Embossed	20-1/8	38-3/8	22-3/4	40	22-5/8	39-7/8	
WAD-21(S/L)	AAW 31/37	Embossed	24-5/8	38-3/8	26-1/2	40	26-1/8	39-7/8	
WAD-22(S/L)	AAW 19/20/25/26 AAW 25*-031* AAW 37*-032*	Smooth	21-1/8	38-3/8	22-3/4	40	22-5/8	39-7/8	
WAD-23(S/L)	AAW 31/37	Smooth	24-5/8	38-3/8	26-1/2	40	26-1/8	39-7/8	

**HELPFUL LINKS**



**VIEW PRODUCT ONLINE**

For full warranty terms and conditions, please refer to the Warranty Information section on Aspen's official website.



**VIEW VERSA DUAL REFRIGERANT COILS ONLINE**

Learn more about Aspen's A2L Refrigerant Technology for R32 and R454B Systems.

In keeping with its commitment to continuous improvement, Aspen Manufacturing reserves the right to make changes without notice and incurring obligation. To stay up-to-date with this product and Aspen's trusted line of coils, air handlers, and more, go to our website. © 2026 Aspen Manufacturing. All Rights Reserved

# LEW SERIES

▶ ALUMINUM  
▶ ELECTRIC

AIR HANDLERS  
VERTICAL WALL MOUNT



Unit shown with service panels removed. Representative image only. Some models may vary in appearance.

## APPLICATION VERSATILITY

Front or bottom return air position. Offset hanging brackets attach to unit and wall to allow hanging inside closet. Can be AHRI matched with most brands of air conditioners or heat pumps.

- A2L refrigerants require a Refrigerant Detection System (RDS) for compliance. In accordance to UL 60335 Refrigerant Detection Systems are factory-installed on A2L refrigerant ready air handlers.
- ETL listed for R22, R410A, R454B, and R32 refrigerants (A2L refrigerants certified with Refrigerant Detection System (RDS)).

## 240V CONSTANT TORQUE ECM MOTOR

Pre-programmed, 5-speed, 208V/240V ECM motors that ensure higher efficiency and increased energy savings by delivering constant torque during operation. Motors are pre-programmed with speeds and torques at the factory for optimal performance and reliability. Direct drive blowers circulate air quietly and efficiently. Rail mounted blowers provide easy removal for service and maintenance.

## BLOWER

Direct drive multi-speed blowers circulate air quietly and efficiently. Motor speeds can be easily selected via motor terminals. Rail mounted blowers can be easily removed for service.

## ELECTRONIC CIRCUIT BOARD

Electronic circuit board provides 30 seconds ON/OFF blower time delay extracting more heat/cool from the coil. Automotive-style pull fuse protection on the circuit board to provide low voltage and transformer protection.

## LOW LEAKAGE CABINET

Sturdy, fully insulated galvanized steel cabinet; stick pins ensure 1/2" insulation remains in place. Unit ships with disposable filter. Less than 1.4% air leakage from cabinet when tested in accordance with ASHRAE standard 193. Unit must be installed according to Aspen installation instructions.

## DX COIL

High-Efficiency rifled aluminum tubes and enhanced aluminum fins provide maximum heat transfer. All coils factory leak tested with Multi-stage leak testing at 500 psi pressure decay, mass spectrometer tested with Helium, then Nitrogen pressurized and factory sealed optimal system integrity and long-term reliability. Coil mounted Schrader valve allows pre-installation pressure assurance testing.

Available with either factory-installed orifice or TXV metering device. Field-installable bolt-on TXVs are also available. Access door allows for easy coil cleaning.

## MODULAR ELECTRIC HEAT KITS

Heat kits available with either circuit breakers or terminal blocks. Available from 3 to 10 KW. Models with electric heat include sequencers and temperature limit switches for safe, efficient operation. Modules are easily installed in the field using molex plugs or can be ordered factory-installed. Controls are accessible from the front for easy service. Electrical connections can be made from the top or left. Disconnect does not protrude through the wall panel. Fan time delay relay standard for increased efficiency.

**WARRANTY** Ten-year limited parts warranty with registration.

**OPTIONS** Ask your local Aspen Sales Rep for customization options.

## DUAL REFRIGERANT

### UNIVERSAL A2L REFRIGERANT TECHNOLOGY FOR R32 & R454B SYSTEMS

#### IDEAL FOR USE WITH ASPEN AIR HANDLERS, AS WELL AS CASED & UNCASSED COILS!

Versa Dual Refrigerant Coils are easily configurable for use with either R32 or R454B refrigerant with proper metering device. Utilizing universal Refrigerant Detection Systems (RDS) to ensure regulatory compliance.

#### OTHER POPULAR CUSTOM OPTION:

Factory or field-installed TXV available.

R51341 11/25



In keeping with its commitment to continuous improvement, Aspen Manufacturing reserves the right to make changes without notice and incurring obligation. To stay up-to-date with this product and Aspen's trusted line of coils, air handlers, and more, go to our website. © 2026 Aspen Manufacturing. All Rights Reserved

Phone: 281.441.6500 Toll Free: 800.423.9007 Fax: 281.441.6510 Customer Service: info@aspenmfg.com Warranty Team: warranty@aspenmfg.com



WWW.ASPENMFG.COM 93



HEATING/COOLING PERFORMANCE & ELECTRICAL DATA											
MODEL	NOM. COOLING	PERFORMANCE DATA						ELECTRICAL DATA			
		ELECTRIC HEAT KIT MODEL	MIN SPEED TAP	HEATING (KW)		HEATING CAPACITY (MBTUH)		MIN. CIRCUIT AMPACITY (MCA)		MAX. BREAKER OR FUSE SIZE	
				208V	240V	208V	240V	208V	240V	208V	240V
LEW 30B, 30C	30,000	F(C,T)S00	-	0.0	0.0	0.0	0.0	3.5	3.5	15A	15A
		F(C,T)S03	T4	2.3	3.0	7.8	10.2	17.0	19.1	20A	20A
		F(C,T)S05	T4	3.6	4.8	12.3	16.4	25.1	28.5	30A	30A
		F(C,T)S06	T4	4.5	6.0	15.3	20.5	30.5	34.8	25A	35A
		F(C,T)S08	T5	6.0	8.0	20.5	27.3	39.6	45.2	40A	50A
		F(C,T)S10	T5	7.2	9.6	24.6	32.7	46.8	53.5	50A	60A
LEW 30A, 30E	30,000	F(C,T)S00	-	0.0	0.0	0.0	0.0	3.5	3.5	15A	15A
		F(C,T)S03	T2	2.3	3.0	7.8	10.2	17.0	19.1	20A	20A
		F(C,T)S05	T2	3.6	4.8	12.3	16.4	25.1	28.5	30A	30A
		F(C,T)S06	T4	4.5	6.0	15.3	20.5	30.5	34.8	25A	35A
		F(C,T)S08	T4	6.0	8.0	20.5	27.3	39.6	45.2	40A	50A
		F(C,T)S10	T4	7.2	9.6	24.6	32.7	46.8	53.5	50A	60A
LEW 30D, 30F	30,000	F(C,T)S00	-	0.0	0.0	0.0	0.0	5.1	5.1	15A	15A
		F(C,T)S03	T4	2.3	3.0	7.8	10.2	18.6	20.8	20A	25A
		F(C,T)S05	T4	3.6	4.8	12.3	16.4	26.8	30.1	30A	35A
		F(C,T)S06	T5	4.5	6.0	15.3	20.5	32.2	36.4	35A	40A
		F(C,T)S08	T5	3.0	8.0	10.2	27.3	41.2	46.8	45A	50A
		F(C,T)S10	T5	7.2	9.6	24.6	32.7	48.4	55.1	50A	60A
LEW 36A, 36C, 36B, 36D	36,000	F(C,T)M00	-	0.0	0.0	0.0	0.0	5.1	5.1	15A	15A
		F(C,T)M03	T4	2.3	3.0	7.8	10.2	18.6	20.8	20A	25A
		F(C,T)M05	T4	3.6	4.8	12.3	16.4	26.8	30.1	30A	35A
		F(C,T)M06	T5	4.5	6.0	15.3	20.5	32.2	36.4	35A	40A
		F(C,T)M08	T5	3.0	8.0	10.2	27.3	41.2	46.8	45A	50A
		F(C,T)M10	T5	7.2	9.6	24.6	32.7	48.4	55.1	50A	60A

BLOWER DATA								
MODEL	240V ECM MOTOR			CFM VS EXTERNAL STATIC*† (WET COIL)				
	SPEED TAP	HP	AMPS	0.1	0.2	0.3	0.4	0.5
LEW 30B, 30C	T1	1/3	2.8	909	864	840	800	782
	T2	1/3	2.8	723	690	652	631	600
	T3	1/3	2.8	600	656	539	502	480
	T4	1/3	2.8	723	690	652	631	600
	T5	1/3	2.8	909	864	840	800	782
LEW 30D, 30E, 30F	T1	1/3	2.8	670	645	615	590	570
	T2	1/3	2.8	800	780	750	730	695
	T3	1/3	2.8	875	850	820	790	760
	T4	1/3	2.8	980	955	930	900	875
	T5	1/3	2.8	1065	1035	1015	995	970
LEW 30A	T1	1/3	2.8	655	630	605	580	560
	T2	1/3	2.8	785	765	735	715	685
	T3	1/3	2.8	860	835	805	775	745
	T4	1/3	2.8	960	835	805	775	745
	T5	1/3	2.8	1045	1015	995	975	950
LEW 36A, 36C	T1	1/2	4.1	1365	1332	1303	1271	1240
	T2	1/2	4.1	745	698	668	630	600
	T3	1/2	4.1	898	873	853	827	880
	T4	1/2	4.1	1174	1132	1106	1078	1047
	T5	1/2	4.1	1365	1332	1303	1271	1240
LEW 36B, 36D	T1	1/2	4.1	745	715	675	640	615
	T2	1/2	4.1	940	910	875	840	805
	T3	1/2	4.1	1100	1070	1025	995	965
	T4	1/2	4.1	1220	1180	1155	1115	1085
	T5	1/2	4.1	1385	1350	1330	1290	1270

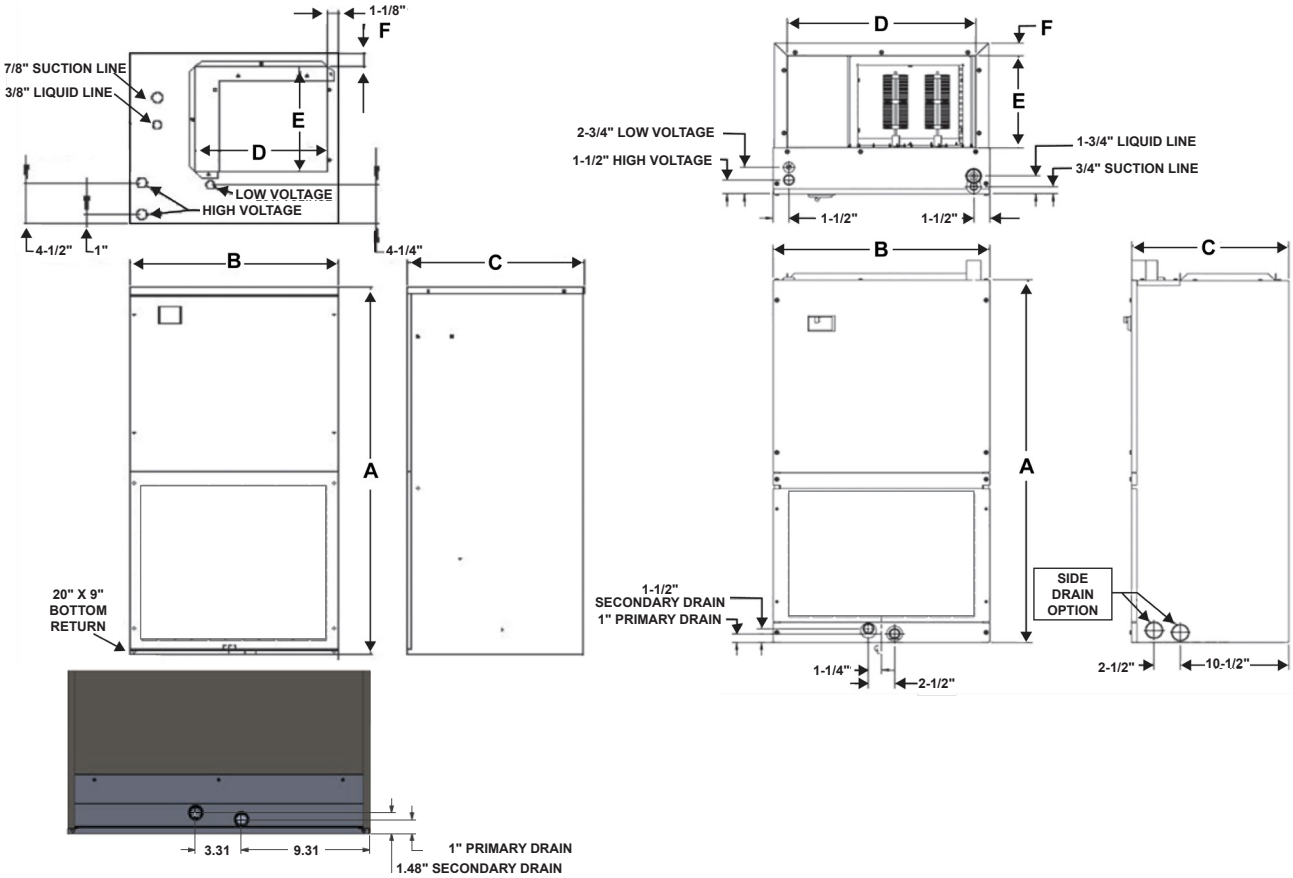
\*Wet coil with filter †For 208 operation multiply by 0.90

ELECTRIC HEAT KIT NOMENCLATURE			
HEAT KIT SERIES	POWER CONNECTION	CABINET SIZE	HEAT STRIP
F	C	S	03
WALL MOUNT ELECTRIC HEAT	C = CIRCUIT BREAKER T = TERMINAL BLOCK	S = 30 M = 36	03 = 3 KW 05 = 5 KW 06 = 6 KW 08 = 8 KW 10 = 10 KW

AIR HANDLER CHASSIS NOMENCLATURE				
LEW	NOM. TON.	COIL CODE*	METERING DEVICE	OPTION CODE
	MBTUH		F	-001
240V ECM MOTOR VERTICAL WALL MOUNT	30 = 30,000	A-F (SLAB SIZE, DEPTH, ROWS)	<b>A1 REFRIGERANTS - R410A + R22</b> 4 = R410A (TXV NON-BLEED AC/HP) X = R22 (TXV NON-BLEED AC/HP) G = R410A (FLOWRATOR) B = R22 (TXV 20% BLEED AC/HP) F = R22 (FLOWRATOR)	CUSTOM OPTIONS
	36 = 36,000	A-D (SLAB SIZE, DEPTH, ROWS)	<b>A2L REFRIGERANTS - R454B + R32</b> J = R454B (TXV NON-BLEED AC/HP) D = R32 (TXV NON-BLEED AC/HP) K = R454B (TXV 20% BLEED AC/HP) M = R32 (PISTON) Z = R454B/R32 CONFIGURABLE N = R454B (PISTON) (Shipped with R454B PISTON)	

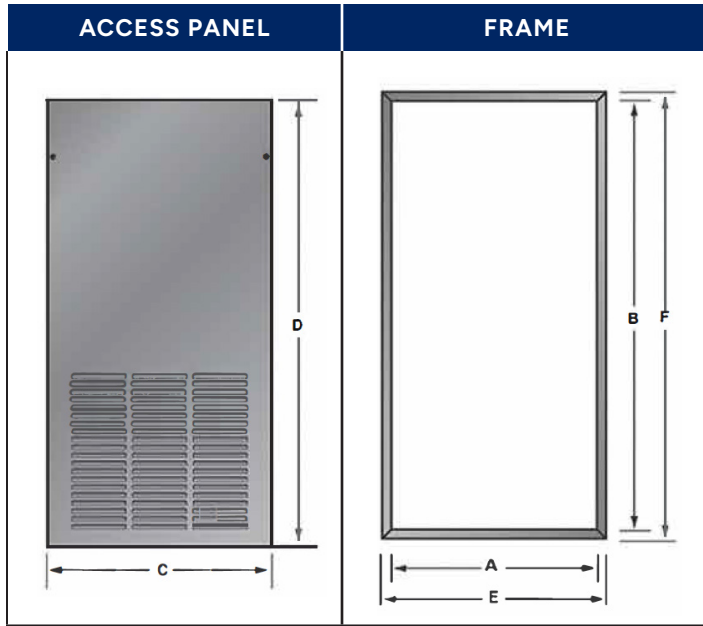
\*Coil Code = SLAB SIZE, DEPTH, ROWS. AC/HP = Air Conditioning/Heat Pump

**FIGURE 1**



DIMENSION AND SPECIFICATIONS (In.)[mm.] - FIGURE 1										
MODEL	A	B	C	D	E	F	FILTER		SHIPPING INFO	
							1" DEPTH	WEIGHT	SKID QTY	
LEW30A*	36 [915]	20-1/2 [521]	15 [381]	18 [457]	9-1/4 [235]	1-1/4 [32]	14X18	80	4	
LEW30B*	37-1/2 [953]	22 [559]	18-3/4 [476]	14 [356]	10 [254]	3-1/4 [83]	18X20	90		
LEW30C*	37-1/2 [953]	22 [559]	18-3/4 [476]	14 [356]	10 [254]	3-1/4 [83]	18X20	90		
LEW30D*	36 [915]	24 [610]	21 [533]	21-1/2 [546]	12 [305]	1-1/4 [32]	20X20	90		
LEW30E*	40-1/2 [1029]	22 [559]	18-3/4 [476]	14 [356]	11-1/2 [292]	1-3/8 [35]	20X20	102		
LEW30F*	36 [915]	24 [610]	21 [533]	21-1/2 [546]	12 [305]	1-1/4 [32]	20X20	90		
LEW36A*	37-1/2 [953]	22 [559]	18-3/4 [476]	14 [356]	10 [254]	3-1/4 [83]	18X20	90		
LEW36B*	36 [915]	24 [610]	21 [533]	21-1/2 [546]	12 [305]	1-1/4 [32]	20X20	90		
LEW36C*	40-1/2 [1029]	22 [559]	18-3/4 [476]	14 [356]	11-1/2 [292]	1-3/8 [35]	20X20	102		
LEW36D*	36 [915]	24 [610]	21 [533]	21-1/2 [546]	12 [305]	1-1/4 [32]	20X20	90		

**FIGURE 2**



INSTALLATION CLEARANCES (In.)		
CABINET CLEARANCE AREA	OPERATION	SERVICE
TOP	0	0
FRONT		30"
SIDES		
REAR		0

DIMENSION & SPECIFICATIONS (In.) - FIGURE 2									
PANEL MODEL	FOR USE WITH	FINISH	A	B	C	D	E	F	# OF PANELS
WAD-7(S/L)	LEW 30B/30C/36A	Embossed	22-5/8	39-7/8	24-1/4	41-1/2	24-1/8	41-3/8	1
WAD-8(S/L)	LEW 30E/36C	Embossed	22-5/8	42-7/8	24-1/4	44-1/2	24-1/8	44-3/8	
WAD-18(S/L)	LEW 30B/30C/36A	Smooth	22-5/8	39-7/8	24-1/4	41-1/2	24-1/8	41-3/8	
WAD-19(S/L)	LEW 30E/36C	Smooth	22-5/8	42-7/8	24-1/4	44-1/2	24-1/8	44-3/8	
WAD-20(S/L)	LEW 30A	Embossed	21-1/8	38-3/8	22-3/4	40	22-5/8	39-7/8	
WAD-21(S/L)	LEW 30D/30F/36B/36D	Embossed	24-5/8	38-3/8	26-1/4	40	26-1/8	39-7/8	
WAD-22(S/L)	LEW 30A	Smooth	21-1/8	38-3/8	22-3/4	40	22-5/8	39-7/8	
WAD-23(S/L)	LEW 30D/30F/36B/36D	Smooth	24-5/8	38-3/8	26-1/4	40	26-1/8	39-7/8	

In keeping with its commitment to continuous improvement, Aspen Manufacturing reserves the right to make changes without notice and incurring obligation. To stay up-to-date with this product and Aspen's trusted line of coils, air handlers, and more, go to our website. © 2026 Aspen Manufacturing. All Rights Reserved

# AAC SERIES

▶ COPPER  
▶ ELECTRIC

AIR HANDLERS  
CEILING MOUNT



Representative image only. Some models may vary in appearance.

## APPLICATION VERSATILITY

Built-in mounting tabs for ceiling or fur down mounting. Louvered ceiling access panel has separate frame that attaches to ceiling joists. Solid access panel available for use with end return installations. Can be AHRI matched with most brands of air conditioners or heat pumps.

- A2L refrigerants require a Refrigerant Detection System (RDS) for compliance. In accordance to UL 60335 Refrigerant Detection Systems are factory-installed on A2L refrigerant ready air handlers.
- ETL listed for R22, R410A, R454B, and R32 refrigerants (A2L refrigerants certified with Refrigerant Detection System (RDS)).

## 240V PSC MOTOR

The 240V PSC Motor with Electric Heat Option features a direct drive, multi-speed blower that delivers quiet and efficient air circulation. A two-speed motor allows for precise airflow selection, while clearly labeled motor terminals make speed adjustments simple and accurate. Built for reliability and consistent performance, this motor option is ideal for electric heat applications.

## BLOWER

Direct drive multi-speed blowers circulate air quietly and efficiently. Blowers mounted on rails so they can be easily removed for service.

## ELECTRONIC CONTROLS

Units available with either circuit breakers or terminal blocks. Controls easily accessible from the front for easy service. Fan time delay relay standard for increased efficiency. Electrical connections can be made from the top, left, or right.

## ELECTRONIC CIRCUIT BOARD

Electronic circuit board provides 30 secs ON/OFF blower time delay extracting more heat/cool from the coil.

## LOW LEAKAGE CABINET

Sturdy, fully insulated galvanized steel cabinet with painted front panels. Less than 2% air leakage from cabinet when tested in accordance with ASHRAE standard 193. Unit must be installed according to Aspen installation instructions.

## DX COIL

High-efficiency rifled copper tubes and enhanced aluminum fins provide maximum heat transfer. All coils are immersion tested at 500 psi, followed by nitrogen pressurization and factory sealing to ensure optimal system integrity and long-term reliability. Liquid-line Schrader valve allows pre-installation pressure assurance testing.

Available with either check style flowrator or TXV metering device. Field-installable TXVs are also available. Galvanized metal drain pan with bottom primary and secondary drain connections or alternate right side primary. All connections 3/4" NPT. Access door allows for coil cleaning.

## ELECTRIC HEATERS

Models with electric heat include sequencers and temperature limit switches for safe, efficient operation.

## CUSTOMIZATION

Factory or field-installable TXV. OEM color matched cabinets. High temperature plastic drain pans.

**WARRANTY** Free five-year limited parts warranty.

**OPTIONS** Ask your local Aspen Sales Rep for customization options.

### DUAL REFRIGERANT

#### UNIVERSAL A2L REFRIGERANT TECHNOLOGY FOR R32 & R454B SYSTEMS

#### IDEAL FOR USE WITH ASPEN AIR HANDLERS, AS WELL AS CASED & UNCASSED COILS!

Versa Dual Refrigerant Coils are easily configurable for use with either R32 or R454B refrigerant with proper metering device. Utilizing universal Refrigerant Detection Systems (RDS) to ensure regulatory compliance.

#### OTHER POPULAR CUSTOM OPTION:

Factory or field-installed TXV available.

R51341 1025



In keeping with its commitment to continuous improvement, Aspen Manufacturing reserves the right to make changes without notice and incurring obligation. To stay up-to-date with this product and Aspen's trusted line of coils, air handlers, and more, go to our website. © 2026 Aspen Manufacturing. All Rights Reserved

Phone: 281.441.6500 Toll Free: 800.423.9007 Fax: 281.441.6510 Customer Service: info@aspenmfg.com Warranty Team: warranty@aspenmfg.com



WWW.ASPENMFG.COM 97



AAC SERIES: HEATING/COOLING PERFORMANCE & ELECTRICAL DATA											
MODEL	PERFORMANCE DATA						ELECTRICAL DATA				
	NOM. COOLING	ELECTRIC HEAT KIT	MIN. SPEED TAP	HEATING		TOTAL AMPS		MIN. CIRCUIT AMPACITY		MAX. BREAKER OR FUSE SIZE	
				KW		A		MCA			
	BTU			208V	240V	208V	240V	208V	240V	208V	240V
AAC 18	18,000	G(C,T)S00	-	0.0	0.0	1.4	1.4	1.8	1.8	15A	15A
		G(C,T)S03	LO	2.3	3.0	12.2	13.9	15.3	17.4	20A	20A
		G(C,T)S05	LO	3.6	4.8	18.7	21.4	23.4	26.8	25A	30A
		G(C,T)S08	HI	6.0	8.0	30.2	34.7	37.8	43.4	40A	45A
		G(C,T)S10	HI	7.2	9.6	36.0	41.4	45.0	51.8	45A	60A
AAC 24	24,000	G(C,T)S00	-	0.0	0.0	1.4	1.4	1.8	1.8	15A	15A
		G(C,T)S03	LO	2.3	3.0	12.2	13.9	15.3	17.4	20A	20A
		G(C,T)S05	LO	3.6	4.8	18.7	21.4	23.4	26.8	25A	30A
		G(C,T)S08	HI	6.0	8.0	30.2	34.7	37.8	43.4	40A	45A
		G(C,T)S10	HI	7.2	9.6	36.0	41.4	45.0	51.8	45A	60A
AAC 30	30,000	G(C,T)M00	-	0.0	0.0	2.6	2.6	3.3	3.3	15A	15A
		G(C,T)M03	LO	2.3	3.0	13.4	15.1	16.8	18.9	20A	20A
		G(C,T)M05	LO	3.6	4.8	19.9	22.6	24.9	28.3	25A	30A
		G(C,T)M08	HI	3.0	8.0	31.4	35.9	39.3	44.9	40A	45A
		G(C,T)M10	HI	7.2	9.6	37.2	42.6	46.5	53.3	50A	60A
AAC 36/37	36,000	G(C,T)M00	-	0.0	0.0	2.6	2.6	3.3	3.3	15A	15A
		G(C,T)M03	LO	2.3	3.0	13.4	15.1	16.8	18.9	20A	20A
		G(C,T)M05	LO	3.6	4.8	19.9	22.6	24.9	28.3	25A	30A
		G(C,T)M08	HI	3.0	8.0	31.4	35.9	39.3	44.9	40A	45A
		G(C,T)M10	HI	7.2	9.6	37.2	42.6	46.5	53.3	50A	60A

AAC SERIES: BLOWER DATA								
MODEL	240V PSC MOTOR			CFM VS EXTERNAL STATIC* (DRY COIL)				
	HP	FLA	SPEED TAP	0.1	0.2	0.3	0.4	0.5
AAC 18/24	1/5	1.4	LOW	890	850	820	790	760
	1/5	1.4	HIGH	1020	990	975	940	890
AAC 30/36	1/3	2.6	LOW	1115	1070	1010	960	900
	1/3	2.6	HIGH	1230	1170	1120	1050	980
AAC 37	1/3	2.6	LOW	1075	1030	970	820	960
	1/3	2.6	HIGH	1190	1130	1080	1010	940

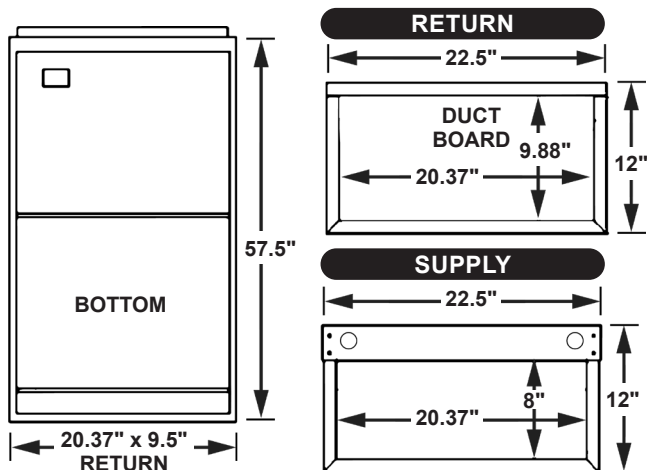
\* Dry coil with filter †For 208 operation multiply by 0.90

AAC SERIES: ELECTRIC HEAT KIT NOMENCLATURE			
HEAT KIT SERIES	POWER CONNECTION	CABINET SIZE	ELECTRIC HEAT CAPACITY:
G	C	S	10
ELECTRIC HEAT	C = CIRCUIT BREAKER T = TERMINAL BLOCK	S = 18 / 24 M = 30 / 36 / 37	00 = 0 KW 08 = 8 KW 03 = 3 KW 10 = 10 KW 05 = 5 KW

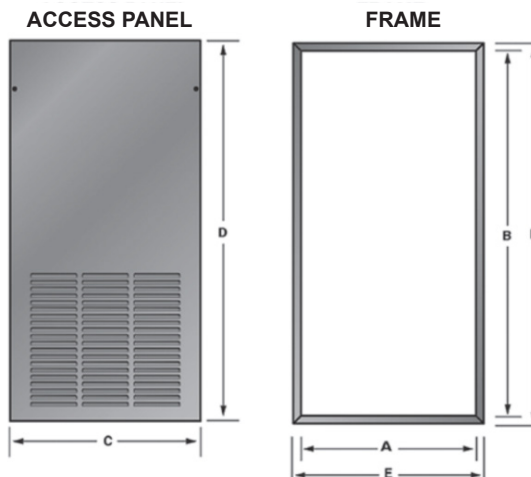
AAC SERIES: AIR HANDLER CHASSIS NOMENCLATURE				
AAC	NOM. TON.	METERING DEVICE	OPTION CODE	
240V PSC MOTOR CEILING MOUNT	18 = 18,000 24 = 24,000 30 = 30,000 36 = 36,000	4	-001	
		A1 REFRIGERANTS - R410A + R22		CUSTOM OPTIONS
		4 = R410A (TXV NON-BLEED AC/HP) G = R410A (FLOWRATOR)	X = R22 (TXV NON-BLEED AC/HP) B = R22 (TXV 20% BLEED AC/HP) F = R22 (FLOWRATOR)	
		A2L REFRIGERANTS - R454B + R32		
		J = R454B (TXV NON-BLEED AC/HP) K = R454B (TXV 20% BLEED AC/HP) Z = R454B/R32 CONFIGURABLE (Shipped with R454B Piston)	D = R32 (TXV NON-BLEED AC/HP) M = R32 (PISTON) N = R454B (PISTON)	

In keeping with its commitment to continuous improvement, Aspen Manufacturing reserves the right to make changes without notice and incurring obligation. To stay up-to-date with this product and Aspen's trusted line of coils, air handlers, and more, go to our website. © 2026 Aspen Manufacturing. All Rights Reserved

**FIGURE 1**



**FIGURE 2**



**AAC DIMENSIONS (In.)[mm.] - FIGURE 1**

MODEL	A	B)	C	OPENING SIZE		FILTER	SHIPPING INFO	
				D	E		WEIGHT	SKID QTY
AAC18	57-1/2 [146]	22-1/2 [57]	12 [20]	20-3/8 [52]	8 [20]	20X20	91	6
AAC24	57-1/2 [146]	22-1/2 [57]	12 [20]	20-3/8 [52]	8 [20]	20X20	91	
AAC30	57-1/2 [146]	22-1/2 [57]	12 [20]	20-3/8 [52]	8 [20]	20X20	100	
AAC36/37	57-1/2 [146]	22-1/2 [57]	12 [20]	20-3/8 [52]	8 [20]	20X20	100	

**AAC DIMENSIONS (In.) - FIGURE 2**

PANEL MODEL	FOR USE WITH	OPENING SIZE		PANEL SIZE		FRAME SIZE		# OF PANELS
		A	B	C	D	E	F	
CAD-4(S/L)	AAC	22-3/4	58	24-3/4	60	24-5/8	59-7/8	2

**HELPFUL LINKS**



**VIEW PRODUCT ONLINE**

For full warranty terms and conditions, please refer to the Warranty Information section on Aspen's official website.



**VIEW VERSA DUAL REFRIGERANT COILS ONLINE**

Learn more about Aspen's A2L Refrigerant Technology for R32 and R454B Systems.

In keeping with its commitment to continuous improvement, Aspen Manufacturing reserves the right to make changes without notice and incurring obligation. To stay up-to-date with this product and Aspen's trusted line of coils, air handlers, and more, go to our website. © 2026 Aspen Manufacturing. All Rights Reserved

Phone: 281.441.6500 Toll Free: 800.423.9007 Fax: 281.441.6510 Customer Service: info@aspenmfg.com Warranty Team: warranty@aspenmfg.com

# AEC SERIES ▶ COPPER ▶ ELECTRIC



*Representative image only. Some models may vary in appearance.*

## APPLICATION VERSATILITY

Built-in mounting tabs for ceiling or fur down mounting. Louvered ceiling access panel has separate frame that attaches to ceiling joists. Solid access panel available for use with end return installations. Can be AHRI matched with most brands of air conditioners or heat pumps.

- A2L refrigerants require a Refrigerant Detection System (RDS) for compliance. In accordance to UL 60335 Refrigerant Detection Systems are factory-installed on A2L refrigerant ready air handlers.
- ETL listed for R22, R410A, R454B, and R32 refrigerants (A2L refrigerants certified with Refrigerant Detection System (RDS)).

## 240V CONSTANT TORQUE ECM MOTOR

Pre-programmed, 5-speed, 208V/240V ECM motors that ensure higher efficiency and increased energy savings by delivering constant torque during operation. Motors are pre-programmed with speeds and torques at the factory for optimal performance and reliability.

## BLOWER

Direct drive multi-speed blowers circulate air quietly and efficiently. Motor speeds can be easily selected via motor terminals. Rail mounted blowers can be easily removed for service.

## ELECTRONIC CIRCUIT BOARD

Electronic circuit, board provides 30 secs ON/OFF blower time delay extracting more heat/cool from the coil.

## LOW LEAKAGE CABINET

Sturdy, galvanized steel cabinet with knockout for duct return. The cabinet is fully insulated with 1/2" faced insulation to prevent sweating, to encapsulate glass fibers, and to provide excellent R-value. Stick pins ensure insulation remains in place. Less than 2% air leakage from cabinet when tested in accordance with ASHRAE standard 193. Unit must be installed according to Aspen installation instructions.

## DX COIL

High-efficiency rifled copper tubes and enhanced aluminum fins provide maximum heat transfer. All coils are immersion tested at 500 psi, followed by nitrogen pressurization and factory sealing to ensure optimal system integrity and long-term reliability. Liquid-line Schrader valve allows pre-installation pressure assurance testing.

Available with either check style flowrator or TXV metering device. Field-installable TXVs are also available. Galvanized metal drain pan with bottom primary and secondary drain connections or alternate right side primary. All connections 3/4" NPT. Access door allows for coil cleaning.

## MODULAR HEAT KITS

Heat kits available with terminal blocks. Available in 3 to 10 KW. Models with electric heat include sequencers and temperature limit switches for safe, efficient operation. Easily accessible controls for quick service. Disconnect does not protrude through the wall panel.

**WARRANTY** Five-year limited parts warranty with registration.

**OPTIONS** Ask your local Aspen Sales Rep for customization options.

## DUAL REFRIGERANT

### UNIVERSAL A2L REFRIGERANT TECHNOLOGY FOR R32 & R454B SYSTEMS

#### IDEAL FOR USE WITH ASPEN AIR HANDLERS, AS WELL AS CASED & UNCASSED COILS!

Versa Dual Refrigerant Coils are easily configurable for use with either R32 or R454B refrigerant with proper metering device. Utilizing universal Refrigerant Detection Systems (RDS) to ensure regulatory compliance.

#### OTHER POPULAR CUSTOM OPTION:

- Factory or field-installed TXV available.

R51341 11/25



In keeping with its commitment to continuous improvement, Aspen Manufacturing reserves the right to make changes without notice and incurring obligation. To stay up-to-date with this product and Aspen's trusted line of coils, air handlers, and more, go to our website. © 2026 Aspen Manufacturing. All Rights Reserved



AEC SERIES: HEATING/COOLING PERFORMANCE & ELECTRICAL DATA											
UNIT MODEL (ASPEN)	PERFORMANCE DATA							ELECTRICAL DATA			
	NOM. COOLING	ELECTRIC HEAT KIT	MIN. SPEED TAP	HEATING		TOTAL AMPS		MIN. CIRCUIT AMPACITY		MAX. BREAKER OR FUSE SIZE	
				KW		A		MCA			
				208V	240V	208V	240V	208V	240V	208V	240V
AEC 18	18,000	G(C,T)S00	-	0.0	0.0	0.0	0.0	3.5	3.5	15A	15A
		G(C,T)S03	T4	2.3	3.0	7.8	10.2	17.0	19.1	20A	20A
		G(C,T)S05	T4	3.6	4.8	12.3	16.4	25.1	28.5	30A	30A
		G(C,T)S08	T5	6.0	8.0	20.5	27.3	39.6	45.2	40A	50A
		G(C,T)S10	T5	7.2	9.6	24.6	32.7	46.8	53.5	50A	60A
AEC 24	24,000	G(C,T)S00	-	0.0	0.0	0.0	0.0	3.5	3.5	15A	15A
		G(C,T)S03	T4	2.3	3.0	7.8	10.2	17.0	19.1	20A	20A
		G(C,T)S05	T4	3.6	4.8	12.3	16.4	25.1	28.5	30A	30A
		G(C,T)S08	T5	6.0	8.0	20.5	27.3	39.6	45.2	40A	50A
		G(C,T)S10	T5	7.2	9.6	24.6	32.7	46.8	53.5	50A	60A
AEC 30	30,000	G(C,T)M00	-	0.0	0.0	0.0	0.0	5.1	5.1	15A	15A
		G(C,T)M03	T4	2.3	3.0	7.8	10.2	18.6	20.8	20A	25A
		G(C,T)M05	T4	3.6	4.8	12.3	16.4	26.8	30.1	30A	35A
		G(C,T)M08	T5	6.0	8.0	20.5	27.3	41.2	46.8	45A	50A
		G(C,T)M10	T5	7.2	9.6	24.6	32.7	48.4	55.1	50A	60A
AEC 36/37	36,000	G(C,T)M00	-	0.0	0.0	0.0	0.0	5.1	5.1	15A	15A
		G(C,T)M03	T4	2.3	3.0	7.8	10.2	18.6	20.8	20A	25A
		G(C,T)M05	T4	3.6	4.8	12.3	16.4	26.8	30.1	30A	35A
		G(C,T)M08	T5	6.0	8.0	20.5	27.3	41.2	46.8	45A	50A
		G(C,T)M10	T5	7.2	9.6	24.6	32.7	48.4	55.1	50A	60A

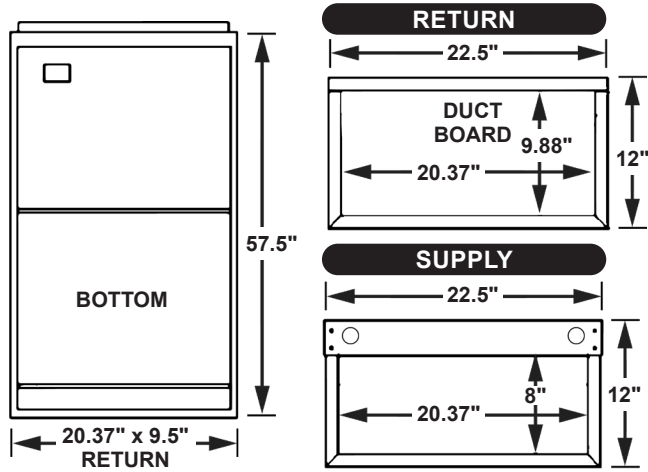
AEC SERIES: BLOWER DATA														
UNIT MODEL	MOTOR HP	FLA	SPEED TAP	CFM VS. STATIC PRESSURE										
				0.1	0.2	0.3	0.4	0.5	0.6	0.7	0.8	0.9	1.0	
AEC 18/24	1/3	2.8	T5	845	800	760	715	-	-	-	-	-	-	-
			T4	695	670	640	615	585	560	530	500	475	450	
			T3	620	590	565	535	505	480	450	420	390	360	
			T2	845	800	760	715	-	-	-	-	-	-	-
			T1	695	670	640	615	585	560	530	500	475	450	
AEC 30/36/37	1/2	3.6	T5	1065	1050	1035	1015	995	970	935	900	860	820	
			T4	955	935	910	890	870	850	830	810	790	770	
			T3	850	825	805	780	760	740	715	695	670	650	
			T2	745	720	695	675	650	625	600	575	550	525	
			T1	1065	1050	1035	1015	995	970	935	900	860	820	

AEC SERIES: ELECTRIC HEAT KIT NOMENCLATURE			
HEAT KIT SERIES	POWER CONNECTION	CABINET SIZE	HEAT STRIP
G	C	S	KW
ELECTRIC HEAT	C = CIRCUIT BREAKER T = TERMINAL BLOCK	S = 18/24 M = 30/36/37	00 = 0 KW (NO HEAT) 03 = 3 KW 08 = 8 KW 05 = 5 KW 10 = 10 KW

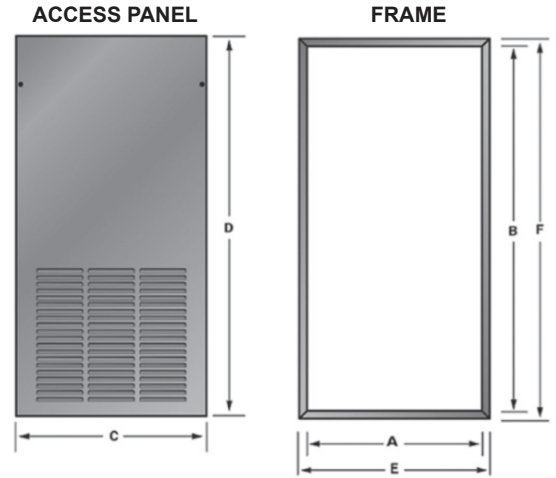
AEC SERIES: AIR HANDLER CHASSIS NOMENCLATURE			
AEC	NOM. TON.	METERING DEVICE	OPTION CODE
	MBTUH	F	-001
240V CONSTANT TORQUE ECM CEILING MOUNT	18 = 18,000 24 = 24,000 30 = 30,000 36 = 36,000	A1 REFRIGERANTS - R410A + R22	
		4 = R410A (TXV NON-BLEED AC/HP) X = R22 (TXV NON-BLEED AC/HP) G = R410A (FLOWRATOR) B = R22 (TXV 20% BLEED AC/HP) F = R22 (FLOWRATOR)	
		A2L REFRIGERANTS - R454B + R32	
		J = R454B (TXV NON-BLEED AC/HP) K = R454B (TXV 20% BLEED AC/HP) D = R32 (TXV NON-BLEED AC/HP) M = R32 (PISTON) Z = R454B/R32 CONFIGURABLE (Shipped with R454B Piston) N = R454B (PISTON)	
			CUSTOM OPTIONS

Phone: 281.441.6500 Toll Free: 800.423.9007 Fax: 281.441.6510 Customer Service: info@aspenmfg.com Warranty Team: warranty@aspenmfg.com

**FIGURE 1**



**FIGURE 2**



**AEC DIMENSIONS (In.)[mm.] - FIGURE 1**

MODEL	A	B	C	D	E	FILTER	SHIPPING INFO.	
							WEIGHT	SKID QTY
AEC18*	57-1/2 [146]	22-1/2 [57]	12 [20]	20-3/8 [52]	8 [20]	20X20	91	6
AEC24*							91	
AEC30*							100	
AEC36*/37*							100	

**AEC DIMENSIONS (In.) - FIGURE 2**

PANEL MODEL	FOR USE WITH	OPENING SIZE		PANEL DIMENSION		FRAME DIMENSION		# OF PANELS
		A	B	C	D	E	F	
CAD-4(S/L)	AEC	23-3/4	58	24-3/4	60	24-5/8	59-7/8	2

R51341 1025

**HELPFUL LINKS**



**VIEW PRODUCT ONLINE**

For full warranty terms and conditions, please refer to the Warranty Information section on Aspen's official website.



**VIEW VERSA DUAL REFRIGERANT COILS ONLINE**

Learn more about Aspen's A2L Refrigerant Technology for R32 and R454B Systems.

In keeping with its commitment to continuous improvement, Aspen Manufacturing reserves the right to make changes without notice and incurring obligation. To stay up-to-date with this product and Aspen's trusted line of coils, air handlers, and more, go to our website. © 2026 Aspen Manufacturing. All Rights Reserved

# PAW SERIES

- ▶ CASED & UNCASD DX COOL
- ▶ COPPER
- ▶ ELECTRIC

ASPENPRO AIR HANDLERS  
VERTICAL WALL MOUNT



Unit shown with service panels removed. Representative image only. Some models may vary in appearance.

## APPLICATION VERSATILITY

Front or bottom return air position. Offset hanging brackets attach to unit and wall to allow hanging inside closet. Can be AHRI matched with most brands of air conditioners or heat pumps.

- A2L refrigerants require a Refrigerant Detection System (RDS) for compliance. In accordance to UL 60335 Refrigerant Detection Systems are factory-installed on A2L refrigerant ready air handlers.
- ETL listed for R22, R410A, R454B, and R32 refrigerants (A2L refrigerants certified with Refrigerant Detection System (RDS)).

## 240V PSC MOTOR

The 240V PSC Motor with Electric Heat Option features a direct drive, multi-speed blower that delivers quiet and efficient air circulation. A two-speed motor allows for precise airflow selection, while clearly labeled motor terminals make speed adjustments simple and accurate. The plate-mounted blower assembly enables quick removal for easy service and maintenance. Built for reliability and consistent performance, this motor option is ideal for electric heat applications.

## BLOWER

Direct drive multi-speed blowers circulate air quietly and efficiently. Motor speeds can be easily selected via motor terminals. Rail mounted blowers can be easily removed for service.

## ELECTRONIC CIRCUIT BOARD

Electronic circuit board provides 30 secs ON/OFF blower time delay extracting more heat/cool from the coil. Automotive-style pull fuse protection on the circuit board to provide low voltage and transformer protection. Fan time delay relay standard for increased efficiency.

## LOW LEAKAGE CABINET

Sturdy, fully insulated galvanized steel cabinet; stick pins ensure 1/2" insulation remains in place. Unit ships with disposable filter. Less than 1.4% air leakage from cabinet when tested in accordance with ASHRAE standard 193. Unit must be installed according to Aspen installation instructions.

## DX COIL

High-efficiency rifled copper tubes and enhanced aluminum fins provide maximum heat transfer. All coils are immersion tested at 500 psi, followed by nitrogen pressurization and factory sealing to ensure optimal system integrity and long-term reliability. Coil mounted Schrader allows pre-installation pressure testing.

Available with either check style flowrator or TXV metering device. Field-installable TXVs are also available. Powder coated metal drain pan holds minimal condensate while eliminating the possibility of corrosion. Drain pans with bottom primary and secondary drain connections or alternate right-side primary. All connections 3/4" FPT. Access door allows for coil cleaning.

## MODULAR ELECTRIC HEAT KITS

Heat kits available with either circuit breakers or terminal blocks. Available from 3 to 10 KW. Models with electric heat include sequencers and temperature limit switches for safe, efficient operation. Modules are easily installed in the field using molex plugs or can be ordered factory-installed. Controls are accessible from the front for easy service. Electrical connections can be made from the top or left. Disconnect does not protrude through the wall panel.

**WARRANTY** Ten-year limited parts warranty with registration.

**OPTIONS** Ask your local Aspen Sales Rep for customization options.

## DUAL REFRIGERANT

### UNIVERSAL A2L REFRIGERANT TECHNOLOGY FOR R32 & R454B SYSTEMS

#### IDEAL FOR USE WITH ASPEN AIR HANDLERS, AS WELL AS CASED & UNCASD COILS!

Versa Dual Refrigerant Coils are easily configurable for use with either R32 or R454B refrigerant with proper metering device. Utilizing universal Refrigerant Detection Systems (RDS) to ensure regulatory compliance.

#### OTHER POPULAR CUSTOM OPTION:

Factory or field-installed TXV available.

R51341 11/25



In keeping with its commitment to continuous improvement, Aspen Manufacturing reserves the right to make changes without notice and incurring obligation. To stay up-to-date with this product and Aspen's trusted line of coils, air handlers, and more, go to our website. © 2026 Aspen Manufacturing. All Rights Reserved

Phone: 281.441.6500 Toll Free: 800.423.9007 Fax: 281.441.6510 Customer Service: info@aspenmfg.com Warranty Team: warranty@aspenmfg.com



WWW.ASPENMFG.COM 103

HEATING/COOLING PERFORMANCE & ELECTRICAL DATA

MODEL	PERFORMANCE DATA						ELECTRICAL DATA				
	NOM. COOLING	ELECTRIC HEAT KIT	MIN. SPEED TAP	HEATING (KW)		HEATING CAPACITY (MBTUH)		MIN. CIRCUIT AMPACITY		MAX. BREAKER OR FUSE SIZE	
				208V	240V	208V	240V	208V	240V	208V	240V
PAW 21	18,000	F(C,T)S00	-	0.0	0.0	0.0	0.0	1.8	1.8	15A	15A
		F(C,T)S03	LO	2.3	3.0	7.8	10.2	15.3	17.4	20A	20A
		F(C,T)S05	LO	3.6	4.8	12.3	16.4	23.4	26.8	25A	30A
		F(C,T)S06	HI	4.5	6.0	15.3	20.5	28.8	33.0	30A	35A
		F(C,T)S08	HI	6.0	8.0	20.5	27.3	37.8	43.4	40A	45A
		F(C,T)S10	HI	7.2	9.6	24.6	32.7	45.0	51.8	45A	60A
PAW 22	24,000	F(C,T)S00	-	0.0	0.0	0.0	0.0	1.8	1.8	15A	15A
		F(C,T)S03	LO	2.3	3.0	7.8	10.2	15.3	17.4	20A	20A
		F(C,T)S05	LO	3.6	4.8	12.3	16.4	23.4	26.8	25A	30A
		F(C,T)S06	HI	4.5	6.0	15.3	20.5	28.8	33.0	30A	35A
		F(C,T)S08	HI	6.0	8.0	20.5	27.3	37.8	43.4	40A	45A
		F(C,T)S10	HI	7.2	9.6	24.6	32.7	45.0	51.8	45A	60A
PAW 27/28	24,000	F(C,T)S00	-	0.0	0.0	0.0	0.0	1.8	1.8	15A	15A
		F(C,T)S03	LO	2.3	3.0	7.8	10.2	15.3	17.4	20A	20A
		F(C,T)S05	LO	3.6	4.8	12.3	16.4	23.4	26.8	25A	30A
		F(C,T)S06	HI	4.5	6.0	15.3	20.5	28.8	33.0	30A	35A
		F(C,T)S08	HI	6.0	8.0	20.5	27.3	37.8	43.4	40A	45A
		F(C,T)S10	HI	7.2	9.6	24.6	32.7	45.0	51.8	45A	60A
PAW 29	30,000	F(C,T)M00	-	0.0	0.0	0.0	0.0	3.3	3.3	15A	15A
		F(C,T)M03	LO	2.3	3.0	7.8	10.2	16.8	18.9	20A	20A
		F(C,T)M05	LO	3.0	4.8	10.2	16.4	24.9	28.3	25A	30A
		F(C,T)M06	HI	4.5	6.0	15.3	20.5	30.3	34.5	35A	35A
		F(C,T)M08	HI	6.0	8.0	20.5	27.3	39.3	44.9	40A	45A
		F(C,T)M10	HI	7.2	9.6	24.6	32.7	46.5	53.3	50A	60A
PAW 32/33/34	30,000	F(C,T)M00	-	0.0	0.0	0.0	0.0	3.3	3.3	15A	15A
		F(C,T)M03	LO	2.3	3.0	7.8	10.2	16.8	18.9	20A	20A
		F(C,T)M05	LO	3.0	4.8	10.2	16.4	24.9	28.3	25A	30A
		F(C,T)M06	LO	4.5	6.0	15.3	20.5	30.3	34.5	35A	35A
		F(C,T)M08	LO	6.0	8.0	20.5	27.3	39.3	44.9	40A	45A
		F(C,T)M10	LO	7.2	9.6	24.6	32.7	46.5	53.3	50A	60A
PAW 35	30,000	F(C,T)M00	-	0.0	0.0	0.0	0.0	3.3	3.3	15A	15A
		F(C,T)M03	LO	2.3	3.0	7.8	10.2	16.8	18.9	20A	20A
		F(C,T)M05	LO	3.0	4.8	10.2	16.4	24.9	28.3	25A	30A
		F(C,T)M06	HI	4.5	6.0	15.3	20.5	30.3	34.5	35A	35A
		F(C,T)M08	HI	6.0	8.0	20.5	27.3	39.3	44.9	40A	45A
		F(C,T)M10	HI	7.2	9.6	24.6	32.7	46.5	53.3	50A	60A
PAW 38	36,000	F(C,T)M00	-	0.0	0.0	0.0	0.0	3.3	3.3	15A	15A
		F(C,T)M03	LO	2.3	3.0	7.8	10.2	16.8	18.9	20A	20A
		F(C,T)M05	LO	3.0	4.8	10.2	16.4	24.9	28.3	25A	30A
		F(C,T)M06	HI	4.5	6.0	15.3	20.5	30.3	34.5	35A	35A
		F(C,T)M08	HI	6.0	8.0	20.5	27.3	39.3	44.9	40A	45A
		F(C,T)M10	HI	7.2	9.6	24.6	32.7	46.5	53.3	50A	60A

In keeping with its commitment to continuous improvement, Aspen Manufacturing reserves the right to make changes without notice and incurring obligation. To stay up-to-date with this product and Aspen's trusted line of coils, air handlers, and more, go to our website. © 2026 Aspen Manufacturing. All Rights Reserved

Phone: 281.441.6500 Toll Free: 800.423.9007 Fax: 281.441.6510 Customer Service: info@aspenmfg.com Warranty Team: warranty@aspenmfg.com





PAW BLOWER DATA								
MODEL	SPEED TAP	240V PSC MOTOR		CFM VS EXTERNAL STATIC (DRY COIL)				
		HP	FLA	0.1	0.2	0.3	0.4	0.5
PAW 21	LOW	1/5	1.4	840	795	750	690	620
	HIGH	1/5	1.4	930	890	825	750	680
PAW 22	LOW	1/5	1.4	730	695	675	640	600
	HIGH	1/5	1.4	910	850	800	750	695
PAW 27	LOW	1/5	1.4	840	795	750	690	620
	HIGH	1/5	1.4	930	890	825	750	680
PAW 28	LOW	1/5	1.4	730	695	675	640	600
	HIGH	1/5	1.4	910	850	800	750	695
PAW 29	LOW	1/3	2.6	740	675	650	630	600
	HIGH	1/3	2.6	930	850	815	770	725
PAW 32	LOW	1/3	2.6	740	675	650	630	600
	HIGH	1/3	2.6	930	850	815	770	725
PAW 33	LOW	1/3	2.6	740	675	650	630	600
	HIGH	1/3	2.6	930	850	815	770	725
PAW 34	LOW	1/3	2.6	1125	1075	1050	1030	1000
	HIGH	1/3	2.6	1375	1275	1250	1200	1175
PAW 35	LOW	1/3	2.6	1150	1075	1050	980	900
	HIGH	1/3	2.6	1250	1185	1100	1050	980
PAW 38	LOW	1/3	2.6	1125	1075	1050	1030	1000
	HIGH	1/3	2.6	1375	1275	1250	1200	1175

### ACCESS DOOR

#### VERSATILITY

Equipped with hidden frame feature. Fastens to the outside wall surface and does not have to perfectly match the hole opening. Frame screws are not visible after installation. Available in either solid (S) or louvered (L) style.

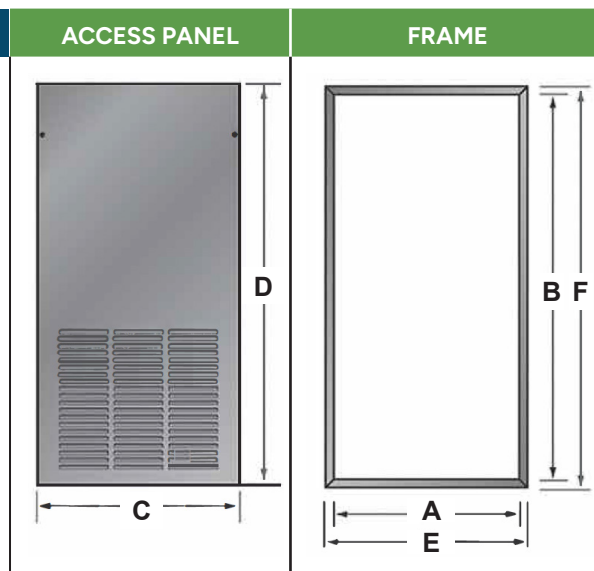
#### MATERIALS

Galvanized steel construction with smooth powder paint finish.

#### FILTER

20" x 20" x 1" field supplied.

CABINET INSTALLATION CLEARANCES (In.)		
CLEARANCE AREA	OPERATION	SERVICE
TOP	0	0
FRONT	0	30
SIDES	0	0
REAR	0	0



### ACCESS DOOR DIMENSIONS (In.)

PANEL MODEL	FOR USE WITH	FINISH	OPENING SIZE		PANEL SIZE		FRAME SIZE		FILTERS (QTY)
			A	B	C	D	E	F	
WAD-7(S/L)	PAW22/28	Embossed	22-5/8	39-7/8	24-1/4	41-1/2	24-1/8	41-3/8	1
WAD-8(S/L)	PAW32/33/34/38	Embossed	22-5/8	42-7/8	24-1/4	44-1/2	24-1/8	44-3/8	
WAD-18(S/L)	PAW22/28	Smooth	22-5/8	39-7/8	24-1/4	41-1/2	24-1/8	41-3/8	
WAD-19(S/L)	PAW32/33/34/38	Smooth	22-5/8	42-7/8	24-1/4	44-1/2	24-1/8	44-3/8	
WAD-20(S/L)	PAW21/27	Embossed	21-1/8	38-3/8	22-3/4	40	22-5/8	39-7/8	
WAD-21(S/L)	PAW29/35	Embossed	24-5/8	38-3/8	26-1/4	40	26-1/8	39-7/8	
WAD-22(S/L)	PAW21/27	Smooth	21-1/8	38-3/8	22-3/4	40	22-5/8	39-7/8	
WAD-23(S/L)	PAW29/35	Smooth	24-5/8	38-3/8	26-1/4	40	26-1/8	39-7/8	

In keeping with its commitment to continuous improvement, Aspen Manufacturing reserves the right to make changes without notice and incurring obligation. To stay up-to-date with this product and Aspen's trusted line of coils, air handlers, and more, go to our website. © 2026 Aspen Manufacturing. All Rights Reserved

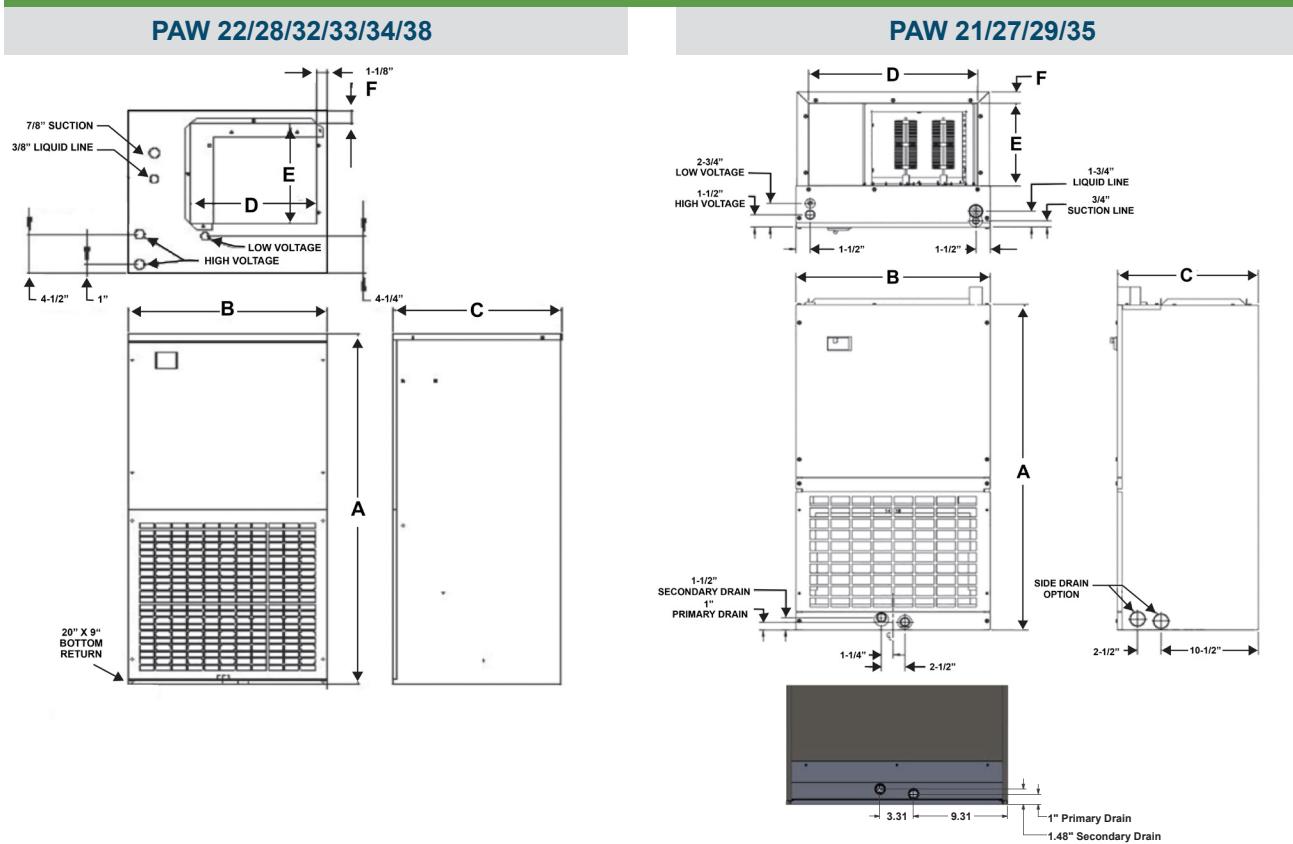
Phone: 281.441.6500 Toll Free: 800.423.9007 Fax: 281.441.6510 Customer Service: info@aspenmfg.com Warranty Team: warranty@aspenmfg.com



ELECTRIC HEAT NOMENCLATURE			
HEAT KIT SERIES	POWER CONNECTION	SIZE	HEAT STRIP
F	C	S	10
ELECTRIC HEAT	C = CIRCUIT BREAKER T = TERMINAL BLOCK	S = 21/22/27/28 M = 29/32/33/34/35/38	00 = 0 KW    06 = 6 KW 03 = 3 KW    08 = 8 KW 05 = 5 KW    10 = 10 KW

AIR HANDLER CHASSIS NOMENCLATURE			
PAW	NOM. TONNAGE	METERING DEVICE	OPTION CODE
	MBTUH	4	-000
240V (PSC)	18 = 18,000 24 = 24,000 30 = 30,000 36 = 36,000	<b>A1 REFRIGERANTS - R410A + R22</b>	<b>CUSTOM OPTIONS</b>
		4 = R410A (TXV NON-BLEED AC or HP)    X = R22 (TXV NON-BLEED AC or HP) G = R410A (FLOWRATOR)    B = R22 (TXV 20% BLEED AC or HP) F = R22 (FLOWRATOR)	
		<b>A2L REFRIGERANTS - R454B + R32</b>	
		J = R454B (TXV NON-BLEED AC or HP)    D = R32 (TXV NON-BLEED AC or HP) K = R454B (TXV 20% BLEED AC or HP)    M = R32 (PISTON) N = R454B (PISTON)    Z = R454B/R32 CONFIGURABLE (Shipped w/ R454B piston)	

**FIGURE 1**



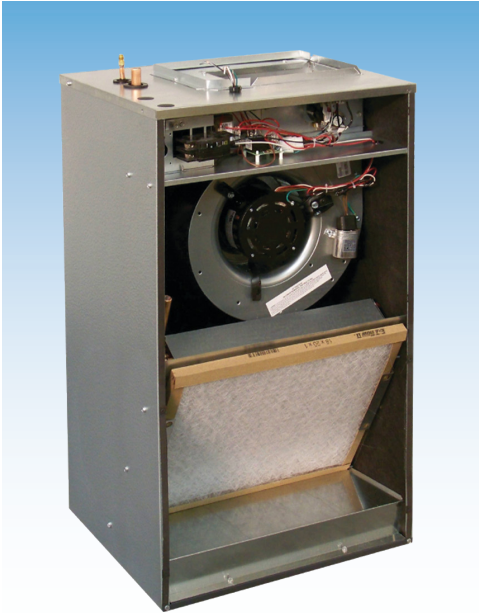
CHASSIS DIMENSIONS (in.) [mm.] - FIGURE 1									
MODEL	A	B	C	D	E	F	FILTER SIZE	SHIP WEIGHT (LBS)	SKID QTY
PAW21	36 [915]	20-1/2 [521]	15 [381]	18 [457]	9-1/4 [235]	1-1/4 [32]	14X18	80	4
PAW22/28	37-1/2 [953]	22 [559]	18-3/4 [476]	14 [356]	10 [254]	3-1/4 [83]	18X20	90	
PAW27	36 [915]	20-1/2 [521]	15 [381]	18 [457]	9-1/4 [235]	1-1/4 [32]	14X18	80	
PAW32/33/34	40-1/2 [1029]	22 [559]	18-3/4 [476]	14 [356]	11-1/2 [292]	1-3/8 [35]	20X20	102	
PAW29/35	36 [915]	24 [610]	21 [533]	21-1/2 [546]	12 [305]	1-1/4 [32]	14X18	90	
PAW38	40-1/2 [1029]	22 [559]	18-3/4 [476]	14 [356]	11-1/2 [292]	1-3/8 [35]	20X20	102	

In keeping with its commitment to continuous improvement, Aspen Manufacturing reserves the right to make changes without notice and incurring obligation. To stay up-to-date with this product and Aspen's trusted line of coils, air handlers, and more, go to our website. © 2026 Aspen Manufacturing. All Rights Reserved

# PEW SERIES

- ▶ CASED & UNCASD DX COOL
- ▶ COPPER
- ▶ ELECTRIC

WALL MOUNT  
ASPENPRO AIR HANDLERS



Unit shown with service panels removed. Representative image only. Some models may vary in appearance.

## APPLICATION VERSATILITY

Front or bottom return air position. Offset hanging brackets attach to unit and wall to allow hanging inside closet. Can be AHRI matched with most brands of air conditioners or heat pumps.

- A2L refrigerants require a Refrigerant Detection System (RDS) for compliance. In accordance to UL 60335 Refrigerant Detection Systems are factory-installed on A2L refrigerant ready air handlers.
- ETL listed for R22, R410A, R454B, and R32 refrigerants (A2L refrigerants certified with Refrigerant Detection System (RDS)).

## 240V CONSTANT TORQUE ECM MOTOR

Pre-programmed, 5-speed, 208V/240V ECM motors that ensure higher efficiency and increased energy savings by delivering constant torque during operation. Motors are pre-programmed with speeds and torques at the factory for optimal performance and reliability. Direct drive blowers circulate air quietly and efficiently. Rail mounted blowers provide easy removal for service and maintenance.

## BLOWER

Direct drive multi-speed blowers circulate air quietly and efficiently. Motor speeds can be easily selected via motor terminals. Rail mounted blowers can be easily removed for service.

## ELECTRONIC CIRCUIT BOARD

Electronic circuit board provides 30 secs ON/OFF blower time delay extracting more heat/cool from the coil. Automotive-style pull fuse protection on the circuit board to provide low voltage and transformer protection.

## LOW LEAKAGE CABINET

Sturdy, fully insulated galvanized steel cabinet; stick pins ensure 1/2" insulation remains in place. Unit ships with disposable filter. Less than 1.4% air leakage from cabinet when tested in accordance with ASHRAE standard 193. Unit must be installed according to Aspen installation instructions.

## DX COIL

High-efficiency rifled copper tubes and enhanced aluminum fins provide maximum heat transfer. All coils are immersion tested at 500 psi, followed by nitrogen pressurization and factory sealing to ensure optimal system integrity and long-term reliability. Liquid-line Schrader valve allows pre-installation pressure assurance testing.

Available with either check style flowrator or TXV metering device. Field-installable TXVs are also available. Galvanized metal drain pan with bottom primary and secondary drain connections or alternate right side primary. All connections 3/4" NPT. Access door allows for coil cleaning.

## MODULAR ELECTRIC HEAT KITS

Heat kits available with either circuit breakers or terminal blocks. Available from 3 to 10 KW. Models with electric heat include sequencers and temperature limit switches for safe, efficient operation. Modules are easily installed in the field using molex plugs or can be ordered factory-installed. Controls are accessible from the front for easy service. Electrical connections can be made from the top or left. Disconnect does not protrude through the wall panel. Fan time delay relay standard for increased efficiency.

**WARRANTY** One-year limited parts warranty.

**OPTIONS** Ask your local Aspen Sales Rep for customization options.

## DUAL REFRIGERANT

### UNIVERSAL A2L REFRIGERANT TECHNOLOGY FOR R32 & R454B SYSTEMS

#### IDEAL FOR USE WITH ASPEN AIR HANDLERS, AS WELL AS CASED & UNCASD COILS!

Versa Dual Refrigerant Coils are easily configurable for use with either R32 or R454B refrigerant with proper metering device. Utilizing universal Refrigerant Detection Systems (RDS) to ensure regulatory compliance.

#### OTHER POPULAR CUSTOM OPTION:

Factory or field-installed TXV available.

R51341 11/25



In keeping with its commitment to continuous improvement, Aspen Manufacturing reserves the right to make changes without notice and incurring obligation. To stay up-to-date with this product and Aspen's trusted line of coils, air handlers, and more, go to our website. © 2026 Aspen Manufacturing. All Rights Reserved

Phone: 281.441.6500 Toll Free: 800.423.9007 Fax: 281.441.6510 Customer Service: info@aspenmfg.com Warranty Team: warranty@aspenmfg.com



WWW.ASPENMFG.COM 107

HEATING/COOLING PERFORMANCE & ELECTRICAL DATA

MODEL	PERFORMANCE DATA						ELECTRICAL DATA					
	NOM. COOLING BTU	ELECTRIC HEAT KIT	MIN. SPEED TAP	HEATING		TOT. AMPS		MIN. CIRCUIT AMPACITY		MAX. BREAKER OR FUSE SIZE		
				KW		A		MCA				
				208V	240V	208V	240V	208V	240V	208V	240V	
PEW 21	18,000	F(C,T)S00	-	0.0	0.0	2.8	2.8	3.5	3.5	15A	15A	
		F(C,T)S03	T2	2.3	3.0	13.6	15.3	17.0	19.1	20A	20A	
		F(C,T)S05	T2	3.6	4.8	20.1	22.8	25.1	28.5	30A	30A	
		F(C,T)S06	T4	4.5	6.0	24.4	27.8	30.5	34.8	35A	35A	
		F(C,T)S08	T4	6.0	8.0	31.6	36.1	39.6	45.2	40A	50A	
		F(C,T)S10	T4	7.2	9.6	37.4	42.8	46.8	53.5	50A	60A	
PEW 22	24,000	F(C,T)S00	-	0.0	0.0	2.8	2.8	3.5	3.5	15A	15A	
		F(C,T)S03	T4	2.3	3.0	13.6	15.3	17.0	19.1	20A	20A	
		F(C,T)S05	T4	3.6	4.8	20.1	22.8	25.1	28.5	30A	30A	
		F(C,T)S06	T4	4.5	6.0	24.4	27.8	30.5	34.8	35A	35A	
		F(C,T)S08	T5	6.0	8.0	31.6	36.1	39.6	45.2	40A	50A	
		F(C,T)S10	T5	7.2	9.6	37.4	42.8	46.8	53.5	50A	60A	
PEW 28	24,000	F(C,T)S00	-	0.0	0.0	2.8	2.8	3.5	3.5	15A	15A	
		F(C,T)S03	T4	2.3	3.0	13.6	15.3	17.0	19.1	20A	20A	
		F(C,T)S05	T4	3.6	4.8	20.1	22.8	25.1	28.5	30A	30A	
		F(C,T)S06	T4	4.5	6.0	24.4	27.8	30.5	34.8	35A	35A	
		F(C,T)S08	T5	6.0	8.0	31.6	36.1	39.6	45.2	40A	50A	
		F(C,T)S10	T5	7.2	9.6	37.4	42.8	46.8	53.5	50A	60A	
PEW 29	24,000	F(C,T)S00	-	0.0	0.0	2.8	2.8	3.5	3.5	15A	15A	
		F(C,T)S03	T4	2.3	3.0	13.6	15.3	17.0	19.1	20A	20A	
		F(C,T)S05	T4	3.6	4.8	20.1	22.8	25.1	28.5	30A	30A	
		F(C,T)S06	T4	4.5	6.0	24.4	27.8	30.5	34.8	35A	35A	
		F(C,T)S08	T5	6.0	8.0	31.6	36.1	39.6	45.2	40A	50A	
		F(C,T)S10	T5	7.2	9.6	37.4	42.8	46.8	53.5	50A	60A	
PEW 33	30,000	F(C,T)M00	-	0.0	0.0	4.1	4.1	5.1	5.1	15A	15A	
		F(C,T)M03	T2	2.3	3.0	14.9	16.6	18.6	20.8	20A	25A	
		F(C,T)M05	T2	3.6	4.8	21.4	24.1	26.8	30.1	30A	35A	
		F(C,T)M06	T3	4.5	6.0	25.7	29.1	32.2	36.4	35A	40A	
		F(C,T)M08	T3	3.0	8.0	32.9	37.4	41.2	46.8	45A	50A	
		F(C,T)M10	T3	7.2	9.6	38.7	44.1	48.4	55.1	50A	60A	
PEW 34	30,000	F(C,T)M00	-	0.0	0.0	4.1	4.1	5.1	5.1	15A	15A	
		F(C,T)M03	T2	2.3	3.0	14.9	16.6	18.6	20.8	20A	25A	
		F(C,T)M05	T2	3.6	4.8	21.4	24.1	26.8	30.1	30A	35A	
		F(C,T)M06	T3	4.5	6.0	25.7	29.1	32.2	36.4	35A	40A	
		F(C,T)M08	T3	3.0	8.0	32.9	37.4	41.2	46.8	45A	50A	
		F(C,T)M10	T3	7.2	9.6	38.7	44.1	48.4	55.1	50A	60A	
PEW 38	36,000	F(C,T)M00	-	0.0	0.0	4.1	4.1	5.1	5.1	15A	15A	
		F(C,T)M03	T4	2.3	3.0	14.9	16.6	18.6	20.8	20A	25A	
		F(C,T)M05	T4	3.6	4.8	21.4	24.1	26.8	30.1	30A	35A	
		F(C,T)M06	T5	4.5	6.0	25.7	29.1	32.2	36.4	35A	40A	
		F(C,T)M08	T5	3.0	8.0	32.9	37.4	41.2	46.8	45A	50A	
		F(C,T)M10	T5	7.2	9.6	38.7	44.1	48.4	55.1	50A	60A	

In keeping with its commitment to continuous improvement, Aspen Manufacturing reserves the right to make changes without notice and incurring obligation. To stay up-to-date with this product and Aspen's trusted line of coils, air handlers, and more, go to our website. © 2026 Aspen Manufacturing. All Rights Reserved

Phone: 281.441.6500 Toll Free: 800.423.9007 Fax: 281.441.6510 Customer Service: info@aspennmfg.com Warranty Team: warranty@aspennmfg.com





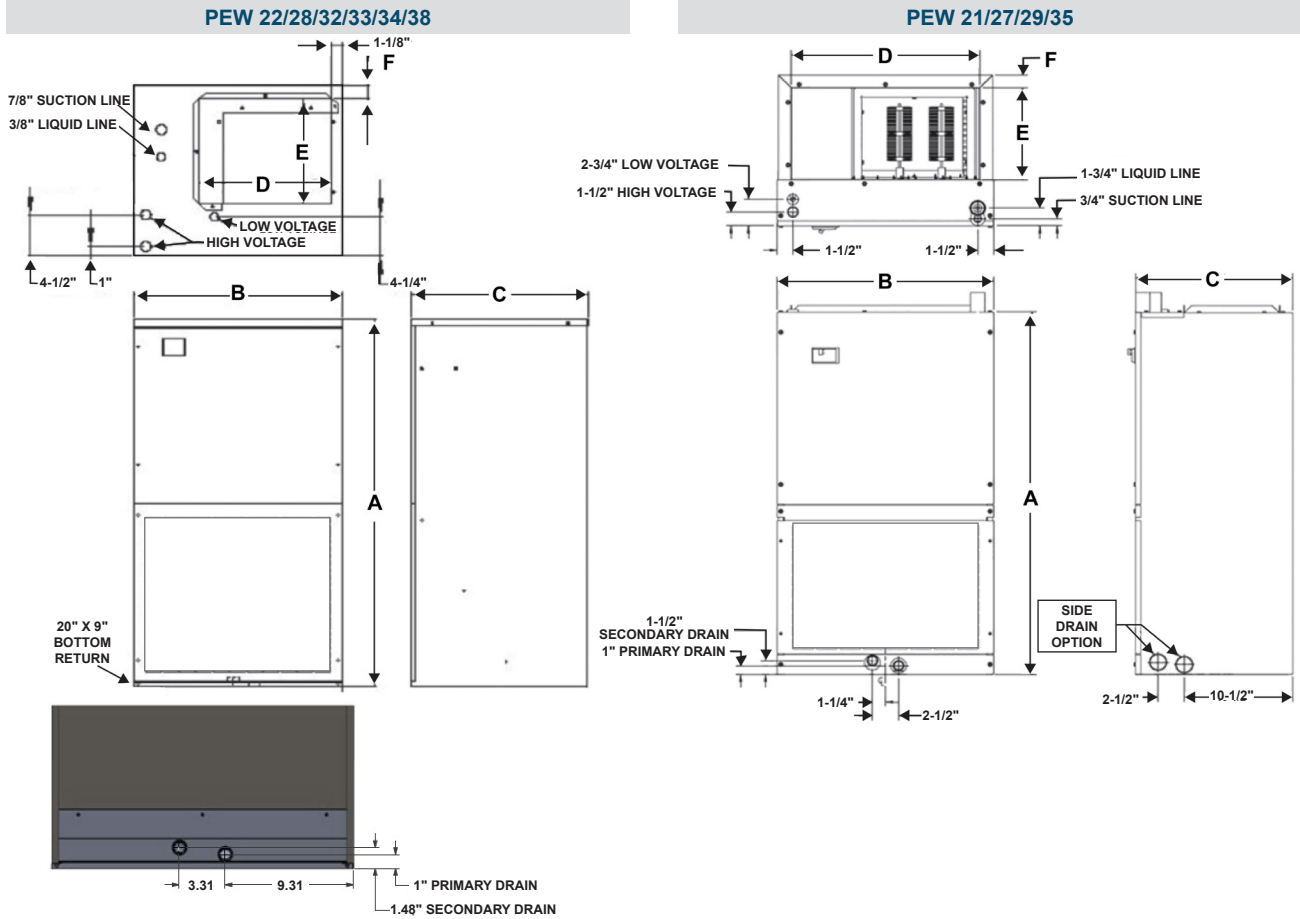
PEW BLOWER DATA								
MODEL	240V ECM MOTOR			CFM VS EXTERNAL STATIC (DRY COIL)				
	SPEED TAP	HP	FLA	0.1	0.2	0.3	0.4	0.5
PEW 21	T1	1/3	2.8	655	630	605	580	560
	T2	1/3	2.8	785	765	735	715	685
	T3	1/3	2.8	860	835	805	775	745
	T4	1/3	2.8	960	935	910	885	860
	T5	1/3	2.8	1045	1015	995	975	950
PEW 22	T1	1/3	2.8	909	864	840	800	782
	T2	1/3	2.8	723	690	652	631	600
	T3	1/3	2.8	600	565	539	502	480
	T4	1/3	2.8	723	690	652	631	600
	T5	1/3	2.8	909	864	840	800	782
PEW 28	T1	1/3	2.8	909	864	840	800	782
	T2	1/3	2.8	723	690	652	631	600
	T3	1/3	2.8	600	565	539	502	480
	T4	1/3	2.8	723	690	652	631	600
	T5	1/3	2.8	909	864	840	800	782
PEW 29	T1	1/3	2.8	909	864	840	800	782
	T2	1/3	2.8	723	690	652	631	600
	T3	1/3	2.8	600	565	539	502	480
	T4	1/3	2.8	723	690	652	631	600
	T5	1/3	2.8	909	864	840	800	782
PEW 33	T1	1/2	4.1	1365	1332	1303	1271	1240
	T2	1/2	4.1	745	698	668	630	600
	T3	1/2	4.1	898	873	853	827	800
	T4	1/2	4.1	1174	1132	1106	1078	1047
	T5	1/2	4.1	1365	1332	1303	1271	1240
PEW 34	T1	1/2	4.1	1365	1332	1303	1271	1240
	T2	1/2	4.1	745	698	668	630	600
	T3	1/2	4.1	898	873	853	827	800
	T4	1/2	4.1	1174	1132	1106	1078	1047
	T5	1/2	4.1	1365	1332	1303	1271	1240
PEW 38	T1	1/2	4.1	1365	1332	1303	1271	1240
	T2	1/2	4.1	745	698	668	630	600
	T3	1/2	4.1	898	873	853	827	800
	T4	1/2	4.1	1174	1132	1106	1078	1047
	T5	1/2	4.1	1365	1332	1303	1271	1240

ELECTRIC HEAT NOMENCLATURE			
HEAT KIT SERIES	POWER CONNECTION	CABINET SIZE & NOM. TON.	HEAT STRIP
F	C	S/M	10
ELECTRIC HEAT	C = CIRCUIT BREAKER T = TERMINAL BLOCK	S = 21/22/28/29 M = 33/34/38	00 = 0 KW 06 = 6 KW 03 = 3 KW 08 = 8 KW 05 = 5 KW 10 = 10 KW

PEW AIR HANDLER CHASSIS NOMENCLATURE					
BRAND	VOLT.	CONFIG.	NOM. TON.	METERING DEVICE	OPT. CODE
P	E	W	MBTUH	4	-000
ASPEN PRO	240V ECM MOTOR CONSTANT TORQUE ECM ELECTRIC HEAT AIR HANDLER	W = VERTICAL WALL MOUNT	21 = 18,000 22 = 24,000 27/28 = 24,000 29 = 30,000 32/33/34 = 30,000 35 = 30,000 38 = 36,000	<b>A1 REFRIGERANTS - R410A + R22</b>	
				4 = R410A (TXV NON-BLEED AC/HP) X = R22 (TXV NON-BLEED AC/HP) G = R410A (FLOWRATOR) B = R22 (TXV 20% BLEED AC/HP) F = R22 (FLOWRATOR)	
				<b>A2L REFRIGERANTS - R454B + R32</b>	
				J = R454B (TXV NON-BLEED AC/HP) D = R32 (TXV NON-BLEED AC/HP) K = R454B (TXV 20% BLEED AC/HP) M = R32 (PISTON) N = R454B (PISTON) Z = R454B/R32 CONFIGURABLE (Shipped w/ R454B Piston)	
					CUSTOM OPTIONS

In keeping with its commitment to continuous improvement, Aspen Manufacturing reserves the right to make changes without notice and incurring obligation. To stay up-to-date with this product and Aspen's trusted line of coils, air handlers, and more, go to our website. © 2026 Aspen Manufacturing. All Rights Reserved

**FIGURE 1**



**CHASSIS DIMENSIONS (In.) [mm.] - FIGURE 1**

MODEL	A	B	C	D	E	F	FILTER	SHIPPING INFO	
								WEIGHT	SKID QTY
PEW21	36 [915]	20-1/2 [521]	15 [381]	18 [457]	9-1/4 [235]	1-1/4 [32]	14X18	80	4
PEW22/28/29	37-1/2 [953]	22 [559]	18-3/4 [476]	14 [356]	10 [254]	3-1/4 [83]	18X20	90	
PEW33/34	40-1/2 [1029]	22 [559]	18-3/4 [476]	14 [356]	11-1/2 [292]	1-3/8 [35]	20X20	102	
PEW38	40-1/2 [1029]	22 [559]	18-3/4 [476]	14 [356]	11-1/2 [292]	1-3/8 [35]	20X20	102	

**ACCESS DOOR**

**VERSATILITY**

Equipped with hidden frame feature. Fastens to the outside wall surface and does not have to perfectly match the hole opening. Frame screws are not visible after installation. Available in either solid (S) or louvered (L) style.

**MATERIALS**

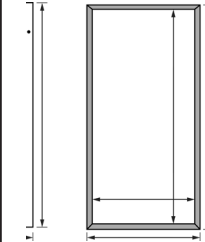
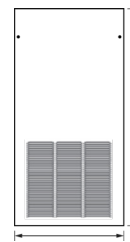
Galvanized steel construction with smooth powder paint finish.

**FILTER**

20" x 20" x 1" field supplied.

**ACCESS PANEL**

**FRAME**



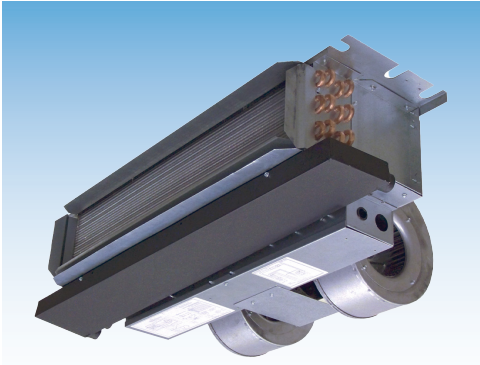
**ACCESS DOOR DIMENSIONS (In.)**

PANEL MODEL	FOR USE WITH	FINISH	OPENING SIZE		PANEL SIZE		FRAME SIZE		FILTERS (QTY)
			A	B	C	D	E	F	
WAD-7(S/L)	PEW 22/28/29	Embossed	22-5/8	39-7/8	24-1/4	41-1/2	24-1/8	41-3/8	1
WAD-8(S/L)	PEW 33/34/38	Embossed	22-5/8	42-7/8	24-1/4	44-1/2	24-1/8	44-3/8	
WAD-18(S/L)	PEW 22/28/29	Smooth	22-5/8	39-7/8	24-1/4	41-1/2	24-1/8	41-3/8	
WAD-19(S/L)	PEW 33/34/38	Smooth	22-5/8	42-7/8	24-1/4	44-1/2	24-1/8	44-3/8	
WAD-20(S/L)	PEW 21	Embossed	21-1/8	38-3/8	22-3/4	40	22-5/8	39-7/8	
WAD-22(S/L)	PEW 21	Smooth	21-1/8	38-3/8	22-3/4	40	22-5/8	39-7/8	

In keeping with its commitment to continuous improvement, Aspen Manufacturing reserves the right to make changes without notice and incurring obligation. To stay up-to-date with this product and Aspen's trusted line of coils, air handlers, and more, go to our website. © 2026 Aspen Manufacturing. All Rights Reserved

# PES/PET SERIES

- ▶ CASED & UNCASD DX COOL
- ▶ COPPER
- ▶ ELECTRIC



Representative image only. Some models may vary in appearance.

## APPLICATION VERSATILITY

Built-in mounting tabs for ceiling or fur down mounting. Louvered ceiling access panel has separate frame that attaches to ceiling joists. Solid access panel available for use with end return installations. Compatible with most brands of air conditioners or heat pumps. Field convertible front and bottom return. Wall hanging bracket included standard.

- A2L refrigerants require a Refrigerant Detection System (RDS) for compliance. In accordance to UL 60335 Refrigerant Detection Systems are factory-installed on A2L refrigerant ready air handlers.
- ETL listed for R22, R410A, R454B, and R32 refrigerants (A2L refrigerants certified with Refrigerant Detection System (RDS)).

## 240V CONSTANT TORQUE ECM MOTOR

Pre-programmed, 5-speed, 208V/240V ECM motors that ensure higher efficiency and increased energy savings by delivering constant torque during operation. Motors are pre-programmed with speeds and torques at the factory for optimal performance and reliability. Direct drive blowers circulate air quietly and efficiently.

## ELECTRONIC CONTROL BOARD

Electronic circuit board provides 30 secs ON/OFF blower time delay extracting more heat/cool from the coil.

## LOW LEAKAGE CABINET DESIGN

Sturdy, fully insulated galvanized steel cabinet with knockout for duct return. Less than 2% air leakage from cabinet when tested in accordance with ASHRAE standard 193. Unit must be installed according to Aspen installation instructions.

- **PES SERIES:** Uncased
- **PET SERIES:** Sturdy, fully insulated galvanized steel cabinet with knockout for duct return.

## DIRECT EXPANSION COIL

High-efficiency rifled copper tubes and enhanced aluminum fins provide maximum heat transfer. All coils are immersion tested at 500 psi, followed by nitrogen pressurization and factory sealing to ensure optimal system integrity and long-term reliability. Liquid-line Schrader valve allows pre-installation pressure assurance testing.

Available with either orifice or TXV metering device factory installed. Field-installable bolt-on TXVs is also available. Primary & secondary condensate drain. All drain connections are 3/4" NPT. Powder-painted metal drain pan. Access door allows for coil cleaning.

## ELECTRIC HEAT KITS

Heat kits available in 3, 5, 6, 8, & 10 KW. Models with electric heat include sequencers and temperature limit switches for safe, efficient operation. Easily accessible controls for quick service.

**WARRANTY** One-year limited parts warranty.

**OPTIONS** Ask your local Aspen Sales Rep for customization options.

## DUAL REFRIGERANT

### UNIVERSAL A2L REFRIGERANT TECHNOLOGY FOR R32 & R454B SYSTEMS

#### IDEAL FOR USE WITH ASPEN AIR HANDLERS, AS WELL AS CASED & UNCASD COILS!

Versa Dual Refrigerant Coils are easily configurable for use with either R32 or R454B refrigerant with proper metering device. Utilizing universal Refrigerant Detection Systems (RDS) to ensure regulatory compliance.

#### OTHER POPULAR CUSTOM OPTION:

Factory or field-installed TXV available.

R51341 11/25



In keeping with its commitment to continuous improvement, Aspen Manufacturing reserves the right to make changes without notice and incurring obligation. To stay up-to-date with this product and Aspen's trusted line of coils, air handlers, and more, go to our website. © 2026 Aspen Manufacturing. All Rights Reserved

Phone: 281.441.6500 Toll Free: 800.423.9007 Fax: 281.441.6510 Customer Service: info@aspenmfg.com Warranty Team: warranty@aspenmfg.com



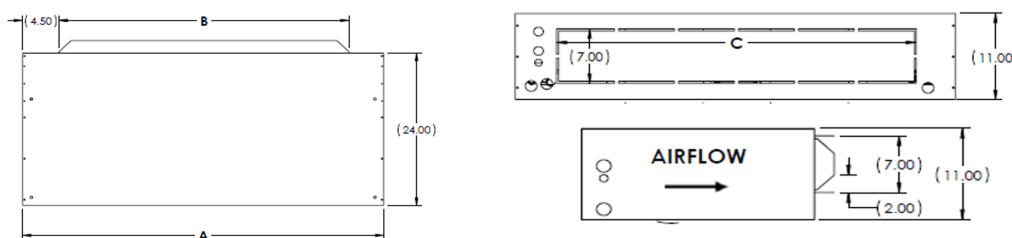
HEATING/COOLING PERFORMANCE & ELECTRICAL DATA											
MODEL	NOM. COOLING	PERFORMANCE DATA						ELECTRICAL DATA			
		ELECTRIC HEAT KIT MODEL	MIN SPEED TAP	HEATING (KW)		HEATING CAPACITY (MBTUH)		MINIMUM CIRCUIT AMPACITY (MCA2)		MAX. BREAKER OR FUSE SIZE	
				208V	240V	208V	240V	208V	240V	208V	240V
PE(S/T) 23/27	18,000	HTS00	-	0.0	0.0	0.0	0.0	5.0	5.0	15A	15A
		HTS03	T1	2.3	3.0	7.8	10.2	18.5	20.6	20A	25A
		HTS05	T2	3.6	4.8	12.3	16.4	26.6	30.0	30A	30A
		HTS06	T3	4.5	6.0	15.3	20.5	32.0	36.3	35A	40A
		HTS08	T4	6.0	8.0	20.5	27.3	41.1	46.7	45A	50A
PE(S/T) 26/28	24,000	HTS00	-	0.0	0.0	0.0	0.0	5.0	5.0	15A	15A
		HTS03	T1	2.3	3.0	7.8	10.2	18.5	20.6	20A	25A
		HTS05	T2	3.6	4.8	12.3	16.4	26.6	30.0	30A	30A
		HTS06	T3	4.5	6.0	15.3	20.5	32.0	36.3	35A	40A
		HTS08	T4	6.0	8.0	20.5	27.3	41.1	46.7	45A	50A
PE(S/T) 29/33/35	30,000	HTS00	-	0.0	0.0	0.0	0.0	5.0	5.0	15A	15A
		HTS03	T1	2.3	3.0	7.8	10.2	18.5	20.6	20A	25A
		HTS05	T2	3.6	4.8	12.3	16.4	26.6	30.0	30A	30A
		HTS06	T3	4.5	6.0	15.3	20.5	32.0	36.3	35A	40A
		HTS08	T4	6.0	8.0	20.5	27.3	41.1	46.7	45A	50A
PE(S/T) 34/38	36,000	HTS00	-	0.0	0.0	0.0	0.0	5.0	5.0	15A	15A
		HTS03	T1	2.3	3.0	7.8	10.2	18.5	20.6	20A	25A
		HTS05	T2	3.6	4.8	12.3	16.4	26.6	30.0	30A	30A
		HTS06	T3	4.5	6.0	15.3	20.5	32.0	36.3	35A	40A
		HTS08	T4	6.0	8.0	20.5	27.3	41.1	46.7	45A	50A
PE(S/T) 35/38	36,000	HTS00	-	0.0	0.0	0.0	0.0	5.0	5.0	15A	15A
		HTS03	T1	2.3	3.0	7.8	10.2	18.5	20.6	20A	25A
		HTS05	T2	3.6	4.8	12.3	16.4	26.6	30.0	30A	30A
		HTS06	T3	4.5	6.0	15.3	20.5	32.0	36.3	35A	40A
		HTS08	T4	6.0	8.0	20.5	27.3	41.1	46.7	45A	50A

PE(S/T) BLOWER DATA									
MODEL	SPEED TAP	MOTOR HP	MOTOR FLA	MOTOR VOLTAGE	CFM VS. EXTERNAL STATIC (DRY COIL)				
					0.1	0.2	0.3	0.4	0.5
PE(S/T) 23/26	T5	1/2	4.0	240V	900	850	805	765	650
	T4				840	805	760	705	595
	T3				805	460	705	665	565
	T2				705	665	615	580	495
	T1				655	605	555	500	425
PE(S/T) 27	T5	1/2	4.0	240V	975	925	875	835	710
	T4				915	865	815	780	660
	T3				865	825	780	730	620
	T2				805	760	695	655	560
	T1				730	675	615	565	480
PE(S/T) 28	T5	1/2	4.0	240V	1180	1130	1070	1015	860
	T4				1115	1060	1015	950	810
	T3				1015	950	900	860	730
	T2				910	850	795	745	630
	T1				815	745	685	640	454
PE(S/T) 29/34	T5	1/2	4.0	240V	1195	1140	1085	1050	890
	T4				1115	1060	1015	965	820
	T3				1000	950	895	850	725
	T2				920	860	805	745	630
	T1				815	760	700	640	545
PE(S/T) 33	T5	1/2	4.0	240V	1220	1165	1115	1060	900
	T4				1140	1100	1060	1000	850
	T3				1010	965	910	860	730
	T2				885	860	775	735	625
	T1				815	765	705	665	565
PE(S/T) 35/38	T5	1/2	4.0	240V	1305	1255	1195	1130	960
	T4				1230	1165	1115	1070	910
	T3				1130	1085	1040	1000	850
	T2				1045	980	935	900	765
	T1				935	885	810	775	650

ELECTRIC HEAT NOMENCLATURE			
HEAT KIT SERIES	POWER CONNECTION	CABINET SIZE & NOM. TON.	HEAT STRIP
H	T	S	10
ELECTRIC HEAT	<b>INTERRUPTION</b> T = TERMINAL BLOCK	S = 23, 26, 27, 28, 29, 33,34, 35, 38	00 = 0 KW 06 = 6 KW 03 = 3 KW 08 = 8 KW 05 = 5 KW 10 = 10 KW

PE(S/T) AIR HANDLER CHASSIS NOMENCLATURE					
BRAND	VOLTAGE	CONFIGUR.	NOM. TON.	METERING DEVICE	OPTION CODE
P	E	S/T	MBTUH	4	-000
ASPEN PRO	240V ECM MOTOR Constant Torque Electric Air Handler	S = Uncased T = Cased	NOMINAL TONNAGE	<b>METERING DEVICE:</b>	
				4 = R410A (TXV NON-BLEED A/C or H/P) B = R22 (TXV 20% BLEED A/C or H/P) G = R410A (PISTON) F = R22 (PISTON) X = R22 (TXV NON-BLEED A/C or H/P)	J = R454B (TXV NON-BLEED A/C or H/P) K = R454B (TXV 20% BLEED A/C or H/P) N = R454B (PISTON) D = R32 (TXV NON-BLEED A/C or H/P) M = R32 (PISTON)
					OPTION CODE

**FIGURE 1 - PET SERIES**

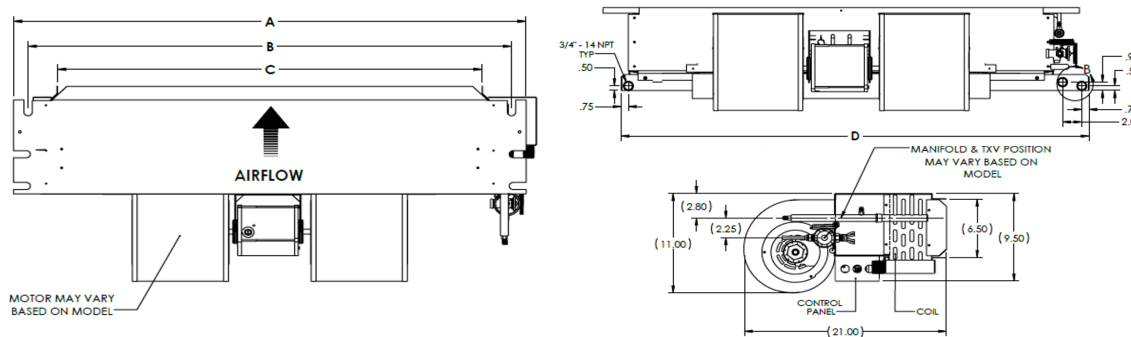


**PET SERIES - CHASSIS DIMENSIONS (In.)[mm.] - FIGURE 1**

UNIT MODEL	A	B	C	SHIP WEIGHT (LBS)	(A1) SKID QTY	(A2L)SKID QTY
PET23/26	40 [1016]	30 [762]	30 [762]	135	5	5
PET27	46 [1168]	36 [914]	36 [914]	145		
PET28/29/34	52 [1321]	42 [1067]	42 [1067]	155		
PET33/35/38	60 [1524]	48 [1219]	48 [1219]	175		

Copper stub out diameter: Suction: 3/4", Liquid: 3/8"; Knockout for ducted return (Ducted return requires remote filter grille (field supplied) and non-louvered panel)

**FIGURE 2 - PES SERIES**



**PES SERIES - ENCLOSURE DIMENSIONS(In.)[mm.] - FIGURE 2**

UNIT MODEL	A	B	C	D	SHIP WEIGHT (LBS)	(A1) SKID QTY	(A2L) SKID QTY
PES 23/26	37 - 1/4 [946]	34 - 5/8 [879]	30 [762]	36 - 3/8 [924]	85	8	5
PES 27	43 - 1/4 [1099]	40 - 5/8 [1032]	36 [914]	42 - 5/8 [1083]	90	8	5
PES 28/29/34	49 - 1/4 [1251]	46 - 5/8 [1184]	42 [1067]	52 [1321]	100	8	5
PES 33/35/38	56 - 1/4 [1429]	53 - 5/8 [1362]	48 [1219]	54 [1372]	115	8	5

Note: Copper stub out diameter: Suction: 3/4", Liquid: 3/8"

In keeping with its commitment to continuous improvement, Aspen Manufacturing reserves the right to make changes without notice and incurring obligation. To stay up-to-date with this product and Aspen's trusted line of coils, air handlers, and more, go to our website. © 2026 Aspen Manufacturing. All Rights Reserved

**ACCESS DOOR**

**VERSATILITY**

Equipped with hidden frame feature. Fastens to the outside wall surface and does not have to perfectly match the hole opening. Frame screws are not visible after installation. Available in either solid (S) or Louvered (L) style.

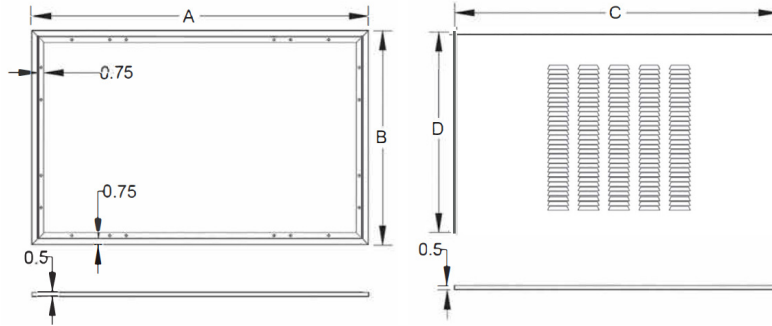
**MATERIALS**

Galvanized steel construction with smooth powder paint finish.

**FILTER**

20" x 20" x 1" field supplied.

**FIGURE 3**



**ACCESS DOOR DIMENSIONS (In.) - FIGURE 3**

PANEL MODEL	FOR USE WITH	A	B	C	D	FILTERS (QTY)
PE(S/T)23/26	GAD-1(S/L)	43-1/2	27-1/2	41-1/2	26	1
PE(S/T)27	GAD-5(S/L)	49-1/2	27-1/2	47-1/2	26	2
PE(S/T)28/29/34	GAD-2(S/L)	55-1/2	27-1/2	53-1/2	26	2
PE(S/T)33/35/38	GAD-6(S/L)	63-1/2	27-1/2	61-1/2	26	2

**CAP KIT PART NUMBER (In.)**

MODEL NUMBER	UNIT MODEL	ENCLOSURE SIZE
PET 23/26	CAP-1	40X24X11
PET 27	CAP-2	46X24X11
PET 28/29/33/34	CAP-3	52X24X11
PET 35/38	CAP-4	60X24X11

NOTE: CAP kit is an insulated panel that covers the entire bottom opening and is utilized for optional ducted return configuration.



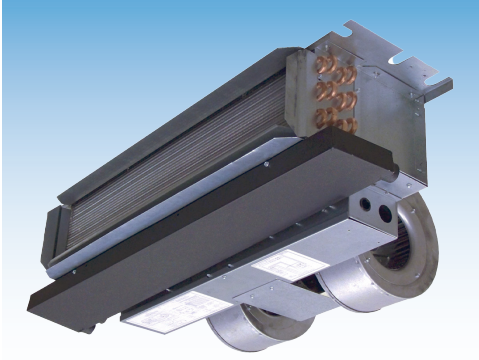
In keeping with its commitment to continuous improvement, Aspen Manufacturing reserves the right to make changes without notice and incurring obligation. To stay up-to-date with this product and Aspen's trusted line of coils, air handlers, and more, go to our website. © 2026 Aspen Manufacturing. All Rights Reserved

Phone: 281.441.6500 Toll Free: 800.423.9007 Fax: 281.441.6510 Customer Service: info@aspenmfg.com Warranty Team: warranty@aspenmfg.com

# PAS/PAT SERIES

- ▶ CASED & UNCASD DX COOL
- ▶ COPPER
- ▶ ELECTRIC

ASPENPRO AIR HANDLERS  
CEILING MOUNT



Representative image only. Some models may vary in appearance.

## APPLICATION VERSATILITY

Built-in mounting tabs for ceiling or fur down mounting. Louvered ceiling access panel has separate frame that attaches to ceiling joists. Solid access panel available for use with end return installations. Compatible with most brands of air conditioners or heat pumps. Field convertible front and bottom return. Wall hanging bracket included standard.

- A2L refrigerants require a Refrigerant Detection System (RDS) for compliance. In accordance to UL 60335 Refrigerant Detection Systems are factory-installed on A2L refrigerant ready air handlers.
- ETL listed for R22, R410A, R454B, and R32 refrigerants (A2L refrigerants certified with Refrigerant Detection System (RDS)).

## 240V PSC MOTOR

The 240V PSC Motor features a direct drive, multi-speed blower that delivers quiet and efficient air circulation. A two-speed motor allows for precise airflow selection, while clearly labeled motor terminals make speed adjustments simple and accurate.

The plate-mounted blower assembly enables quick removal for easy service and maintenance. Built for reliability and consistent performance, this motor option is ideal for electric heat applications.

## ELECTRONIC CONTROL BOARD

Electronic circuit board provides 30 secs ON/OFF blower time delay extracting more heat/cool from the coil.

## LOW LEAKAGE CABINET DESIGN

Less than 2% air leakage from cabinet when installed in enclosure and tested in accordance with ASHRAE 193.

- **PAS SERIES:** Uncased
- **PAT SERIES:** Sturdy, fully insulated galvanized steel cabinet with knockout for duct return.

## DIRECT EXPANSION COIL

High-efficiency rifled copper tubes and enhanced aluminum fins provide maximum heat transfer. All coils are immersion tested at 500 psi, followed by nitrogen pressurization and factory sealing to ensure optimal system integrity and long-term reliability. Liquid-line Schrader valve allows pre-installation pressure assurance testing.

Available with either orifice or TXV metering device factory installed. Field-installable bolt-on TXVs are also available. Primary & secondary condensate drain. All drain connections are 3/4" NPT. Powder-painted metal drain pan. Access door allows for coil cleaning.

## ELECTRIC HEAT KITS

Heat kits available in 3, 5, 6, 8, & 10 KW. Models with electric heat include sequencers and temperature limit switches for safe, efficient operation. Easily accessible controls for quick service.

**WARRANTY** One-year limited parts warranty.

**OPTIONS** Ask your local Aspen Sales Rep for customization options.

## DUAL REFRIGERANT

### UNIVERSAL A2L REFRIGERANT TECHNOLOGY FOR R32 & R454B SYSTEMS

#### IDEAL FOR USE WITH ASPEN AIR HANDLERS, AS WELL AS CASED & UNCASD COILS!

Versa Dual Refrigerant Coils are easily configurable for use with either R32 or R454B refrigerant with proper metering device. Utilizing universal Refrigerant Detection Systems (RDS) to ensure regulatory compliance.

#### OTHER POPULAR CUSTOM OPTION:

Factory or field-installed TXV available.

R51341 11/25



In keeping with its commitment to continuous improvement, Aspen Manufacturing reserves the right to make changes without notice and incurring obligation. To stay up-to-date with this product and Aspen's trusted line of coils, air handlers, and more, go to our website. © 2026 Aspen Manufacturing. All Rights Reserved

Phone: 281.441.6500 Toll Free: 800.423.9007 Fax: 281.441.6510 Customer Service: info@aspenmfg.com Warranty Team: warranty@aspenmfg.com



WWW.ASPENMFG.COM 115



PAS/PAT SERIES: HEATING/COOLING PERFORMANCE & ELECTRICAL DATA											
MODEL	PERFORMANCE DATA							ELECTRICAL DATA			
	NOM. COOL.	ELECTRIC HEAT KIT MODEL	MIN. SPEED TAP	HEATING (KW)		HEATING CAPACITY (MBTUH)		MIN. CIRCUIT AMPACITY (MCA2)		MAX. BREAKER OR FUSE SIZE	
				208V	240V	208V	240V	208V	240V	208V	240V
PAS/PAT 23	18,000	HTS00	-	0.0	0.0	0.0	0.0	1.8	1.8	15A	15A
		HTS03	LO	2.3	3.0	7.8	10.2	15.3	17.4	20A	20A
		HTS05	LO	3.6	4.8	12.3	16.4	23.4	26.8	25A	30A
		HTS06	LO	4.5	6.0	15.3	20.5	28.8	33.0	30A	35A
		HTS08	HI	6.0	8.0	20.5	27.3	37.8	43.4	40A	45A
		HTS10	HI	7.2	9.6	24.6	32.7	45.0	51.8	45A	60A
PAS/PAT 26/27	24,000	HTS00	-	0.0	0.0	0.0	0.0	1.8	1.8	15A	15A
		HTS03	LO	2.3	3.0	7.8	10.2	15.3	17.4	20A	20A
		HTS05	LO	3.6	4.8	12.3	16.4	23.4	26.8	25A	30A
		HTS06	LO	4.5	6.0	15.3	20.5	28.8	33.0	30A	35A
		HTS08	HI	6.0	8.0	20.5	27.3	37.8	43.4	40A	45A
		HTS10	HI	7.2	9.6	24.6	32.7	45.0	51.8	45A	60A
PAS/PAT 28/29	24,000	HTM00	-	0.0	0.0	0.0	0.0	2.7	2.7	15A	15A
		HTM03	LO	2.3	3.0	7.8	10.2	16.2	18.3	20A	20A
		HTM05	LO	3.6	4.8	12.3	16.4	24.3	27.7	25A	30A
		HTM06	LO	4.5	6.0	15.3	20.5	29.7	33.9	30A	35A
		HTM08	HI	6.0	8.0	20.5	27.3	38.7	44.4	40A	45A
		HTM10	HI	7.2	9.6	24.6	32.7	46.0	52.7	50A	60A
PAS/PAT 31/34/35	30,000	HTM00	-	0.0	0.0	0.0	0.0	2.7	2.7	15A	15A
		HTM03	LO	2.3	3.0	7.8	10.2	16.2	18.3	20A	20A
		HTM05	LO	3.6	4.8	12.3	16.4	24.3	27.7	25A	30A
		HTM06	LO	4.5	6.0	15.3	20.5	29.7	33.9	30A	35A
		HTM08	HI	6.0	8.0	20.5	27.3	38.7	44.4	40A	45A
		HTM10	HI	7.2	9.6	24.6	32.7	46.0	52.7	50A	60A
PAS/PAT 38	36,000	HTM00	-	0.0	0.0	0.0	0.0	2.7	2.7	15A	15A
		HTM03	LO	2.3	3.0	7.8	10.2	16.2	18.3	20A	20A
		HTM05	LO	3.6	4.8	12.3	16.4	24.3	27.7	25A	30A
		HTM06	LO	4.5	6.0	15.3	20.5	29.7	33.9	30A	35A
		HTM08	HI	6.0	8.0	20.5	27.3	38.7	44.4	40A	45A
		HTM10	HI	7.2	9.6	24.6	32.7	46.0	52.7	50A	60A

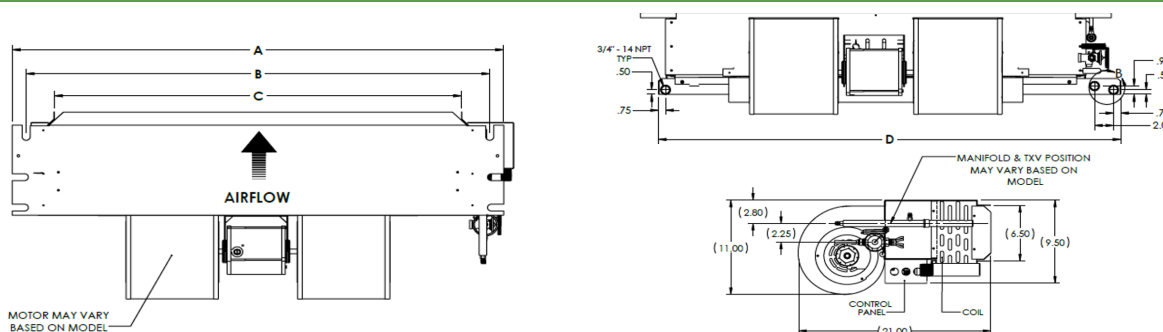
PAS/PAT SERIES: BLOWER DATA													
MODEL	SPEED TAP	MOTOR HP	MOTOR FLA	MOTOR VOLTAGE	CFM VS. EXTERNAL STATIC (DRY COIL)								
					0.1	0.2	0.3	0.4	0.5	0.6	0.7	0.8	0.9
PA(S/T) 23/26	HIGH	1/4	1.4	240V	895	840	780	715	645	540	430	210	190
	LOW				750	705	660	610	535	400	320	150	-
PA(S/T) 2731	HIGH	1015	955		890	830	755	665	550	325	260		
	LOW	785	740		700	650	590	505	350	260	100		
PA(S/T) 28/29/34	HIGH	1/3	2.15		1035	965	890	810	720	520	445	-	-
	LOW				875	810	740	670	580	460	-	-	-
PA(S/T) 35/38	HIGH				1155	1075	1010	930	850	765	675	340	340
	LOW				960	900	840	770	700	615	500	210	105

In keeping with its commitment to continuous improvement, Aspen Manufacturing reserves the right to make changes without notice and incurring obligation. To stay up-to-date with this product and Aspen's trusted line of coils, air handlers, and more, go to our website. © 2026 Aspen Manufacturing. All Rights Reserved

ELECTRIC HEAT NOMENCLATURE			
HEAT KIT SERIES	POWER CONNECTION	CABINET SIZE & NOM. TON.	HEAT STRIP
H	T	M	10
ELECTRIC HEAT	T = TERMINAL BLOCK	S = 23, 26, 27 M = 28, 29, 31, 34, 38	00 = 0 KW 06 = 6 KW 03 = 3 KW 08 = 8 KW 05 = 5 KW 10 = 10 KW

PA(S/T) AIR HANDLER CHASSIS NOMENCLATURE						
BRAND	VOLT.	CONFIG.	NOM. TON.	METERING DEVICE		OPTION CODE
P	A	S/T	23	4		-000
ASPEN PRO	240V PSC MOTOR ELECTRIC AIR HANDLER	S = Uncased T = Cased	NOMINAL TONNAGE	4 = R410A (TXV NON-BLEED A/C OR H/P) G = R410A (PISTON) X = R22 (TXV NON-BLEED A/C OR H/P) B = R22 (TXV 20% BLEED A/C OR H/P) F = R22 (PISTON)	J = R454B (TXV NON-BLEED A/C OR H/P) K = R454B (TXV 20% BLEED A/C OR H/P) N = R454B (PISTON) D = R32 (TXV NON-BLEED A/C OR H/P) M = R32 (PISTON)	CUSTOM OPTIONS

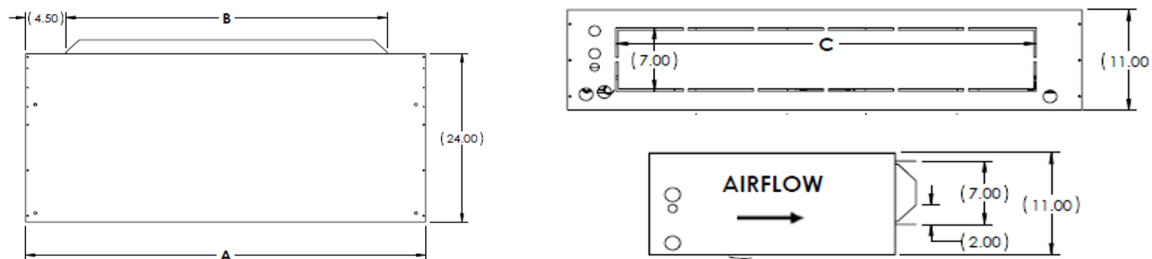
**FIGURE 1 - PAS SERIES**



**PAS SERIES - CHASSIS DIMENSIONS (In.)[mm.] - FIGURE 1**

ASPENPRO MODEL	A	B	C	D	SHIPPING WEIGHT (LBS)	SKID QTY
PAS 23/26	37-1/4 [946]	34-5/8 [879]	30 [762]	36-3/8 [924]	85	8
PAS 27/31	43-1/4 [1099]	40-5/8 [1032]	36 [914]	42-5/8 [1083]	90	
PAS 28/29/34	49-1/4 [1251]	46-5/8 [1184]	42 [1060]	52 [1321]	100	
PAS 35/38	56-1/4 [1429]	53-5/8 [1362]	48 [1219]	54 [1372]	110	

**FIGURE 2 - PAT SERIES**



**PAT SERIES - ENCLOSURE DIMENSIONS (In.)[mm.] - FIGURE 2**

ASPENPRO MODEL	A	B	C	SHIPPING WEIGHT (LBS)	SKID QTY
PAT 23/26	40 [1016]	30 [762]	30 [762]	125	5
PAT 27/31	46 [1168]	36 [914]	36 [914]	135	
PAT 28/29/34	52 [1321]	42 [1067]	42 [1067]	145	
PAT 35/38	60 [1524]	48 [1219]	48 [1219]	155	

In keeping with its commitment to continuous improvement, Aspen Manufacturing reserves the right to make changes without notice and incurring obligation. To stay up-to-date with this product and Aspen's trusted line of coils, air handlers, and more, go to our website. © 2026 Aspen Manufacturing. All Rights Reserved

## ACCESS DOOR

### VERSATILITY

Equipped with hidden frame feature. Fastens to the outside wall surface and does not have to perfectly match the hole opening. Frame screws are not visible after installation. Available in either solid (S) or Louvered (L) style.

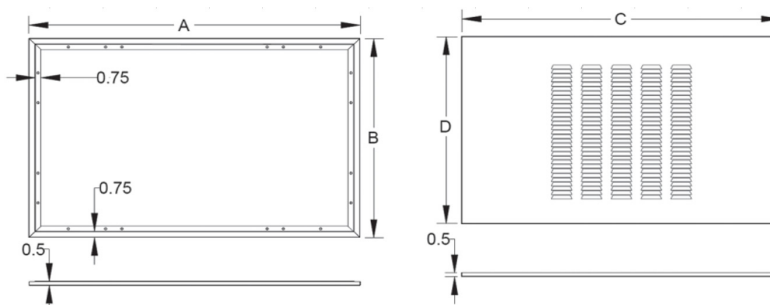
### MATERIALS

Galvanized steel construction with smooth powder paint finish.

### FILTER

20" x 20" x 1" field supplied.

**FIGURE 3**



**PA(S/T) - ACCESS DOOR DIMENSIONS (In.) - FIGURE 3**

PANEL MODEL	FOR USE WITH	PAT ACCESS DOOR AND FRAME				FILTERS (QTY)
		A	B	C	D	
PA(S/T) 23/26	GAD-1(S/L)	43-1/2	27-1/2	41-1/2	26	1
PA(S/T) 27/31	GAD-5(S/L)	49-1/2		47-1/2		2
PA(S/T) 28/29/34	GAD-2(S/L)	55-1/2		53-1/2		2
PA(S/T) 35/38	GAD-6(S/L)	63-1/2		61-1/2		2

**PAT SERIES - CAP KIT PART NUMBER (In.)**

ASPEN PRO MODEL	PART NUMBER	ENCLOSURE SIZE
PAT 23/26	CAP-1	40X24X11
PAT 27/31	CAP-2	46X24X11
PAT 28/29/34	CAP-3	52X24X11
PAT 35/38	CAP-4	60X24X11

NOTE: CAP kit is an insulated panel that covers the entire bottom opening and is utilized for optional ducted return configuration.

In keeping with its commitment to continuous improvement, Aspen Manufacturing reserves the right to make changes without notice and incurring obligation. To stay up-to-date with this product and Aspen's trusted line of coils, air handlers, and more, go to our website. © 2026 Aspen Manufacturing. All Rights Reserved

# RES/RET SERIES

- ▶ CASED & UNCASSED ECM DX COOL
- ▶ ALUMINUM
- ▶ ELECTRIC

ASPENPRO AIR HANDLERS  
CEILING MOUNT



Representative image only. Some models may vary in appearance. Cased RET Series air handler shown.

## APPLICATION VERSATILITY

Built-in mounting tabs for ceiling or fur down mounting. Louvered ceiling access panel has separate frame that attaches to ceiling joists. Solid access panel available for use with end return installations. Compatible with most brands of air conditioners or heat pumps. Field convertible front and bottom return. Wall hanging bracket included standard.

- A2L refrigerants require a Refrigerant Detection System (RDS) for compliance. In accordance to UL 60335 Refrigerant Detection Systems are factory-installed on A2L refrigerant ready air handlers.
- ETL listed for R22, R410A, R454B, and R32 refrigerants (A2L refrigerants certified with Refrigerant Detection System (RDS)).

## 240V CONSTANT TORQUE ECM MOTOR

Pre-programmed, 5-speed, 208V/240V ECM motors that ensure higher efficiency and increased energy savings by delivering constant torque during operation. Motors are pre-programmed with speeds and torques at the factory for optimal performance and reliability.

Direct drive blowers circulate air quietly and efficiently. Rail mounted blowers provide easy removal for service and maintenance.

## ELECTRONIC CONTROL BOARD

Electronic circuit board provides 30 secs ON/OFF blower time delay extracting more heat/cool from the coil.

## LOW LEAKAGE CABINET DESIGN

Sturdy, fully insulated galvanized steel cabinet with knockout for duct return. Less than 2% air leakage from cabinet when tested in accordance with ASHRAE standard 193. Unit must be installed according to Aspen installation instructions.

- RES SERIES: Uncased
- RET SERIES: Cased

## DIRECT EXPANSION COIL

High-efficiency rifled aluminum tubes and enhanced aluminum fins provide maximum heat transfer. All coils factory leak tested with two-stage pressure decay and mass spectrometer process, then nitrogen pressurized and factory sealed for maximum reliability.

Available with either orifice or TXV metering device, factory installed. Field-installable bolt-on TXVs are also available. Primary and secondary condensate drain. All drain connections are 3/4" NPT. Power-painted metal drain pan. The access door allows for coil cleaning.

## ELECTRIC HEAT KITS

Heat kits available in 3, 5, 6, 8, & 10 KW. Models with electric heat include sequencers and temperature limit switches for safe, efficient operation. Easily accessible controls for quick service.

**WARRANTY** One-year limited parts warranty.

**OPTIONS** Ask your local Aspen Sales Rep for customization options.

## DUAL REFRIGERANT

### UNIVERSAL A2L REFRIGERANT TECHNOLOGY FOR R32 & R454B SYSTEMS

#### IDEAL FOR USE WITH ASPEN AIR HANDLERS, AS WELL AS CASED & UNCASSED COILS!

Versa Dual Refrigerant Coils are easily configurable for use with either R32 or R454B refrigerant with proper metering device. Utilizing universal Refrigerant Detection Systems (RDS) to ensure regulatory compliance.

#### OTHER POPULAR CUSTOM OPTION:

Factory or field-installed TXV available.

R51341 11/25



In keeping with its commitment to continuous improvement, Aspen Manufacturing reserves the right to make changes without notice and incurring obligation. To stay up-to-date with this product and Aspen's trusted line of coils, air handlers, and more, go to our website. © 2026 Aspen Manufacturing. All Rights Reserved

Phone: 281.441.6500 Toll Free: 800.423.9007 Fax: 281.441.6510 Customer Service: info@aspenmfg.com Warranty Team: warranty@aspenmfg.com



WWW.ASPENMFG.COM 119



RES/RET SERIES - HEATING/COOLING PERFORMANCE & ELECTRICAL DATA											
MODEL ASPEN PRO	PERFORMANCE DATA							ELECTRICAL DATA			
	NOM. COOLING	ELECTRIC HEAT KIT MODEL	MIN. SPEED TAP	HEATING (KW)		HEATING CAPACITY (MBTUH)		MIN. CIRCUIT AMPACITY (MCA)		MAX. BREAKER OR FUSE SIZE	
				208V	240V	208V	240V	208V	240V	208V	240V
RES/RET 18	18,000	HTS00	-	0.0	0.0	0.0	0.0	5.0	5.0	15A	15A
		HTS03	T1	2.3	3.0	7.8	10.2	18.5	20.6	20A	25A
		HTS05	T2	3.6	4.8	12.3	16.4	26.6	30.0	30A	30A
		HTS06	T3	4.5	6.0	15.3	20.5	32.0	36.3	35A	40A
		HTS08	T4	6.0	8.0	20.5	27.3	41.1	46.7	45A	50A
		HTS10	T5	7.2	9.6	24.6	32.7	48.3	55.0	50A	60A
RES/RET 24/25	24,000	HTS00	-	0.0	0.0	0.0	0.0	5.0	5.0	15A	15A
		HTS03	T1	2.3	3.0	7.8	10.2	18.5	20.6	20A	25A
		HTS05	T2	3.6	4.8	12.3	16.4	26.6	30.0	30A	30A
		HTS06	T3	4.5	6.0	15.3	20.5	32.0	36.3	35A	40A
		HTS08	T4	6.0	8.0	20.5	27.3	41.1	46.7	45A	50A
		HTS10	T5	7.2	9.6	24.6	32.7	48.3	55.0	50A	60A
RES/RET 30/31/36	30,000	HTS00	-	0.0	0.0	0.0	0.0	5.0	5.0	15A	15A
		HTS03	T1	2.3	3.0	7.8	10.2	18.5	20.6	20A	25A
		HTS05	T2	3.6	4.8	12.3	16.4	26.6	30.0	30A	30A
		HTS06	T3	4.5	6.0	15.3	20.5	32.0	36.3	35A	40A
		HTS08	T4	6.0	8.0	20.5	27.3	41.1	46.7	45A	50A
		HTS10	T5	7.2	9.6	24.6	32.7	48.3	55.0	50A	60A

RES/RET SERIES: BLOWER DATA									
MODEL	MOTOR HP	MOTOR FLA	MOTOR VOLTAGE	SPEED TAP	CFM VS EXTERNAL STATIC*† (DRY COIL)				
					0.1	0.2	0.3	0.4	0.5
RES/RET 18	1/2	4.0	240V	TAP 5	900	850	805	765	650
				TAP 4	840	805	760	705	595
				TAP 3	805	460	705	665	565
				TAP 2	705	665	615	580	495
				TAP 1	655	605	555	500	425
RES/RET 24/25	1/2	4.0	240V	TAP 5	975	925	875	835	710
				TAP 4	915	865	815	780	660
				TAP 3	865	825	780	730	620
				TAP 2	805	760	695	655	560
				TAP 1	730	675	615	565	480
RES/RET 30/31/36	1/2	4.0	240V	TAP 5	1195	1140	1085	1050	890
				TAP 4	1115	1060	1015	965	820
				TAP 3	1000	950	895	850	725
				TAP 2	920	860	805	745	630
				TAP 1	815	760	700	640	545

RES/RET SERIES: ELECTRIC HEAT NOMENCLATURE			
HEAT KIT SERIES	POWER CONNECTION	CABINET SIZE	HEAT STRIP
H	T	S	10
ELECTRIC HEAT KIT	T = TERMINAL BLOCK	S = 18 - 37	00 = 0 KW 06 = 6 KW 03 = 3 KW 08 = 8 KW 05 = 5 KW 10 = 10 KW

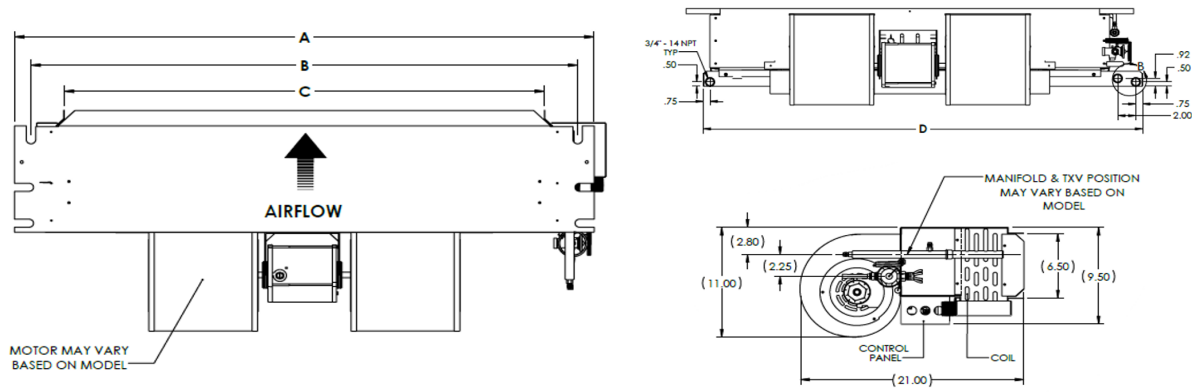
In keeping with its commitment to continuous improvement, Aspen Manufacturing reserves the right to make changes without notice and incurring obligation. To stay up-to-date with this product and Aspen's trusted line of coils, air handlers, and more, go to our website. © 2026 Aspen Manufacturing. All Rights Reserved



**RES/RET SERIES: AIR HANDLER CHASSIS NOMENCLATURE**

BRAND	VOLT.	CONFIG.	NOM. TON.	METERING DEVICE	-000
R	E	S/T	MBTUH	4	
ASPEN PRO	240V ECM MOTOR CONSTANT TORQUE ELECTRIC AIR HANDLER	S = UNCASSED T = CASSED	18/24/25 /30/31/36	4 = R410A (TXV NON-BLEED AC/HP) X = R22 (TXV NON-BLEED AC/HP) G = R410A (FLOWRATOR) B = R22 (TXV 20% BLEED AC/HP) F = R22 (FLOWRATOR) J = R454B (TXV NON-BLEED AC/HP) D = R32 (TXV NON-BLEED AC/HP) K = R454B (TXV 20% BLEED AC/HP) M = R32 (PISTON) N = R454B (PISTON) (Shipped w/ R454B Piston)	OPTION CODE

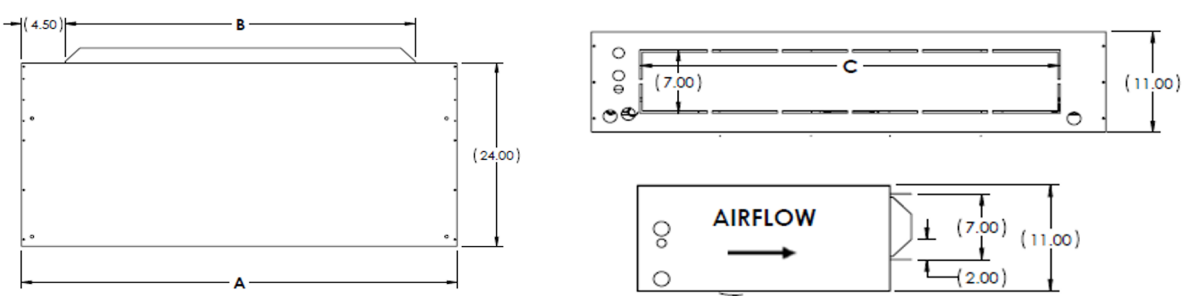
**FIGURE 1 - RES SERIES**



**RES SERIES: CHASSIS DIMENSIONS (In.)[mm.] - FIGURE 1**

MODEL ASPEN PRO	A	B	C	D	SHIP WEIGHT (LB)	(A1) SKID QTY	(A2) SKID QTY
RES 18	37 - 1/4 [946]	34 - 5/8 [879]	30 [762]	36 - 5/8 [930]	85	8	5
RES 24	43 - 1/4 [1099]	40 - 5/8 [1032]	36 [914]	42 - 5/8 [1083]	90		
RES 30/36	49 - 1/4 [1251]	46 - 5/8 [1184]	42 [1067]	52 [1321]	100		

**FIGURE 2 - RET SERIES**



**RET SERIES: ENCLOSURE DIMENSIONS (In.)[mm.] - FIGURE 2**

UNIT MODEL	A	B	C	WEIGHT (LB)	(A1) SKID QTY	(A2) SKID QTY
RET 18	40 [1016]	30 [762]	30 [762]	120	5	5
RET 24	46 [1168]	36 [914]	36 [914]	130		
RET 30/36	52 [1321]	42 [1067]	42 [1067]	140		

Note: Copper stub out diameter: Suction: 3/4", Liquid: 3/8"

In keeping with its commitment to continuous improvement, Aspen Manufacturing reserves the right to make changes without notice and incurring obligation. To stay up-to-date with this product and Aspen's trusted line of coils, air handlers, and more, go to our website. © 2026 Aspen Manufacturing. All Rights Reserved

**ACCESS DOOR**

**VERSATILITY**

Equipped with hidden frame feature. Fastens to the outside wall surface and does not have to perfectly match the hole opening. Frame screws are not visible after installation. Available in either solid (S) or Louvered (L) style.

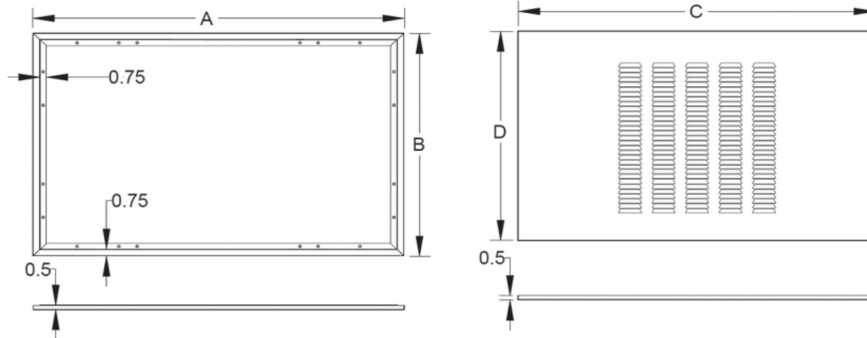
**MATERIALS**

Galvanized steel construction with smooth powder paint finish.

**FILTER**

20" x 20" x 1" field supplied.

**FIGURE 3**



**RET SERIES: ACCESS DOOR DIMENSIONS (In.) - FIGURE 3**

PANEL MODEL	MODEL (AIRMARK)	PANEL MODEL	GAS ACCESS DOOR AND FRAME				FILTER (QTY)
			A	B	C	D	
RET 18	GES/GET 18/19/24	GAD-1(S/L)	43-1/2	27-1/2	41-1/2	26	1
RET 24/25	GES/GET 20/25	GAD-5(S/L)	49-1/2		47-1/2		2
RET 30/31/36	GES/GET 26/30/31/36	GAD-2(S/L)	55-1/2		53-1/2		

**RET SERIES: CAP KIT PART NUMBER (In.)**

MODEL (AIRMARK)	MODEL (ASPENPRO)	UNIT MODEL	ENCLOSURE SIZE
GET 18/19/24	RET18	CAP-1	40x 24 x11
GET 20/25	RET24/25	CAP-2	46 x 24 x 11
GET 26/30/31/36	RET 30/31/36	CAP-3	52 x 24 x 11

NOTE: CAP kit is an insulated panel that covers the entire bottom opening and is utilized for optional ducted return configuration.



In keeping with its commitment to continuous improvement, Aspen Manufacturing reserves the right to make changes without notice and incurring obligation. To stay up-to-date with this product and Aspen's trusted line of coils, air handlers, and more, go to our website. © 2026 Aspen Manufacturing. All Rights Reserved

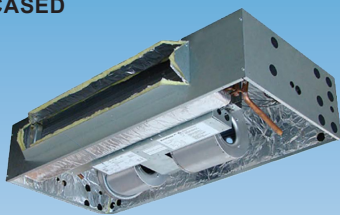
Phone: 281.441.6500 Toll Free: 800.423.9007 Fax: 281.441.6510 Customer Service: info@aspenmfg.com Warranty Team: warranty@aspenmfg.com

# PBS/PBT SERIES

- ▶ CASED & UNCASD DX COOL
- ▶ COPPER
- ▶ HYDRONIC

ASPENPRO AIR HANDLERS  
CEILING MOUNT

## CASED



## UNCASD



Representative image only. Some models may vary in appearance.

### APPLICATION VERSATILITY

Built-in mounting tabs for ceiling or furr-down mounting. Compatible with most brands of air conditioners and heat pumps. Optional louvered ceiling access panel has separate frame that attached to ceiling joists. Optional solid ceiling panel available for use with ducted return. Less than 2% air leakage when tested in accordance with ASHRAE standard 193. Field convertible front and bottom return. Wall hanging bracket included standard.

- A2L refrigerants require a Refrigerant Detection System (RDS) for compliance. In accordance to UL 60335 Refrigerant Detection Systems are factory-installed on A2L refrigerant ready air handlers.
- ETL listed for R22, R410A, R454B, and R32 refrigerants (A2L refrigerants certified with Refrigerant Detection System (RDS)).

### BLOWER MOTOR

Direct drive blowers circulate air quietly and efficiently. Multiple speeds allow for precise air volume selection. Air moving system is plated mounted to allow for easy removal and service.

### ELECTRONIC CONTROLS

- **PBS Series:** Electronic circuit board provides 30 secs ON/OFF blower time delay extracting more heat/cool from the coil.
- **PBT Series:** Electronic board controls the functioning of system, increasing system reliability. Standard factory installed freeze stat wired into circulating pump control circuit. Standard factory installed fan time delay relay for increased efficiency and maximize capacity. Standard factory installed pump cycle timer circulates hot water every four hours to prevent coil freeze and water stagnation during off-cycle. Factory installed service switch

### LOW LEAKAGE CABINET DESIGN

Less than 2% air leakage from cabinet when installed in enclosure and tested in accordance with ASHRAE 193. Sturdy, fully insulated galvanized enclosure with ducted return available as option.

### DIRECT EXPANSION/HYDRONIC COILS

High-efficiency rifled copper tube and enhanced aluminum fins provide maximum heat transfer. All coils immersion tested at 500 psi, followed by nitrogen pressurization and factory sealing to ensure optimal system integrity and long-term reliability. Liquid-line Schrader valve allows pre-installation pressure assurance testing.

Available with factory installed orifice or TXV. Primary and secondary DX condensate drain with 3/4" NPT connections. Powder-painted galvanized drain pan. Hydronic coils suitable for potable water applications.

**WARRANTY** One-year limited parts warranty.

**OPTIONS** Ask your local Aspen Sales Rep for customization options.

## DUAL REFRIGERANT

### UNIVERSAL A2L REFRIGERANT TECHNOLOGY FOR R32 & R454B SYSTEMS

#### IDEAL FOR USE WITH ASPEN AIR HANDLERS, AS WELL AS CASED & UNCASD COILS!

Versa Dual Refrigerant Coils are easily configurable for use with either R32 or R454B refrigerant with proper metering device. Utilizing universal Refrigerant Detection Systems (RDS) to ensure regulatory compliance.

#### OTHER POPULAR CUSTOM OPTION:

Factory or field-installed TXV available.

R51341 11/25



In keeping with its commitment to continuous improvement, Aspen Manufacturing reserves the right to make changes without notice and incurring obligation. To stay up-to-date with this product and Aspen's trusted line of coils, air handlers, and more, go to our website. © 2026 Aspen Manufacturing. All Rights Reserved

Phone: 281.441.6500 Toll Free: 800.423.9007 Fax: 281.441.6510 Customer Service: info@aspenmfg.com Warranty Team: warranty@aspenmfg.com





PB(S/T) SERIES - HEATING/COOLING PERFORMANCE & ELECTRICAL DATA															
ASPEN PRO MODEL	HYDRONIC HEAT		PERFORMANCE DATA				ELECTRICAL DATA								
	NOM. COOLING	HEAT GPM	PRESS. DROP (FT. WTR)	HEATING CAPACITY BTU/HR @ ENTERING WATER TEMP. & NOM. AIRFLOW			MIN. CIRCUIT AMPACITY				MAX. BREAKER OR FUSE SIZE				
							MCA								
	BTU			120°	140°	180°	L	P	8	R	120V				
PB(S/T) 26	24,000	2.0	2.2	15700	22000	34600	4.75	5.53	5.59		15A				
		3.0	4.3	17000	23800	37400	4.75	5.53	5.59						
		4.0	6.8	17600	24700	38800	4.75	5.53	5.59						
PB(S/T) 32	30,000	2.0	2.2	17300	24200	38000	5.75	6.53	6.59			15A			
		3.0	4.3	18800	26300	41300	5.75	6.53	6.59						
		4.0	6.8	19600	27500	43200	5.75	6.53	6.59						
PB(S/T) 33	36,000	2.0	2.2	19700	27600	43400	5.75	6.53	6.59				15A		
		3.0	4.3	21700	30400	47400	5.75	6.53	6.59						
		4.0	6.8	22800	31900	50100	5.75	6.53	6.59						
PB(S/T) 37		36,000	2.0	2.2	19700	27600	43400	5.75	6.53				6.59		15A
			3.0	4.3	21700	30400	47800	5.75	6.53				6.59		
			4.0	6.8	22800	31900	50100	5.75	6.53				6.59		

PB(S/T) SERIES - BLOWER DATA								
MODEL	120V PSC MOTOR			CFM VS STATIC PRESSURE (DRY COIL)				
	SPEED	HP	FLA	0.1	0.2	0.3	0.4	0.5
PB(S/T) 26	HIGH	1/3	3.80	975	900	830	745	680
	LOW	1/3	3.80	900	840	770	690	620
PB(S/T) 32	HIGH	1/5 <sup>(2)</sup>	4.60	1055	965	865	755	605
	LOW	1/5 <sup>(2)</sup>	4.60	1015	915	815	705	565
PB(S/T) 33	HIGH	1/5 <sup>(2)</sup>	4.60	1235	1150	1040	925	830
	LOW	1/5 <sup>(2)</sup>	4.60	1050	980	900	800	680

PB(S/T) SERIES - AIR HANDLER CHASSIS NOMENCLATURE (ELECTRIC CEILING MOUNT)						
BRAND	VOLT.	CONFIG.	MBTUH	METERING DEVICE		OPTION CODE
P	B	S/T		4/G		-000
ASPEN PRO	120V PSC MOTOR CONSTANT TORQUE HYDRONIC HANDLER	S = UNCASED T = CASED	NOM. TONN.	<b>A1 REFRIGERANTS - R410A + R22</b>		CUSTOM OPTIONS
				4 = R410A (TXV NON-BLEED AC/HP) X = R22 (TXV NON-BLEED AC/HP) 6 = R410A (TXV 20% BLEED AC/HP) B = R22 (TXV 20% BLEED AC/HP) G = R410A (FLOWRATOR) F = R22 (FLOWRATOR)		
				<b>A2L REFRIGERANTS - R454B + R32</b>		
				J = R454B (TXV NON-BLEED AC/HP) D = R32 (TXV NON-BLEED AC/HP) K = R454B (TXV 20% BLEED AC/HP) M = R32 (PISTON) N = R454B (PISTON) Z = R454B/R32 CONFIGURABLE (Shipped w/ R454B Piston)		

HYDRONIC HEAT NOMENCLATURE				
HEAT KIT SERIES	POWER CONNECTION	# OF ROWS	CABINET SIZE & NOM. TON.	PUMP TYPE
Z	T	2	S	P
WATER HEAT HYDRONIC	T = TERMINAL BLOCK	2 = 2 ROW HYDRONIC COIL	M = 26/32 L = 33/37	L = No Pump P = Taco 006 Pump (factory-installed) 8 = Taco 008 Pump High Head (factory-installed) R = Taco 009 Pump High Head (to be mounted external to all units except for multi-position units)

In keeping with its commitment to continuous improvement, Aspen Manufacturing reserves the right to make changes without notice and incurring obligation. To stay up-to-date with this product and Aspen's trusted line of coils, air handlers, and more, go to our website. © 2026 Aspen Manufacturing. All Rights Reserved

## ACCESS DOOR

### VERSATILITY

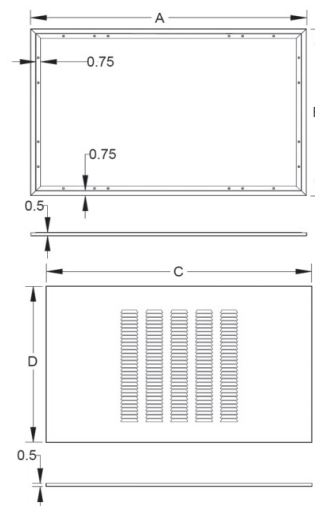
Equipped with hidden frame feature. Fastens to the outside wall surface and does not have to perfectly match the hole opening. Frame screws are not visible after installation. Available in either solid (S) or Louvered (L) style.

### MATERIALS

Galvanized steel construction with smooth powder paint finish.

### FILTER

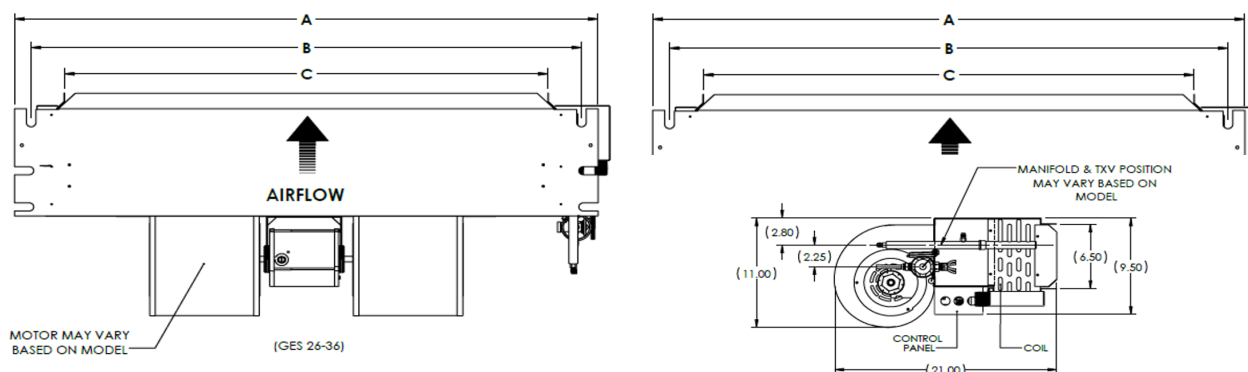
20" x 20" x 1" field supplied.



PB(S/T) SERIES - ACCESS DOOR/PANEL DIMENSIONS (In.)

PANEL MODEL	FOR USE WITH	A	B	C	D	FILTERS (QTY)
PB(S/T)26/32	GAD-6(S/L)	63-1/2	27-1/2	61-1/2	26	2
PB(S/T)33/37	GAD-4(S/L)	70-1/2		68-1/2		

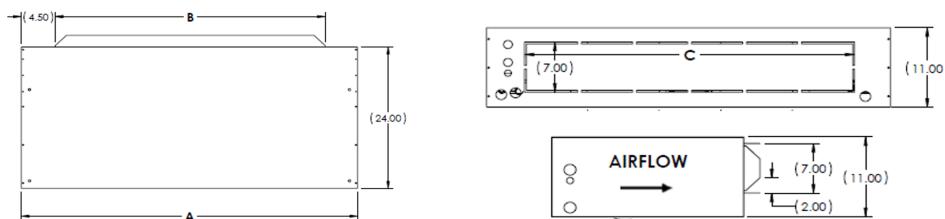
FIGURE 1



PBS SERIES - CHASSIS DIMENSIONS (In.)[mm.] - FIGURE 1

ASPENPRO MODEL	A	B	C	D	WEIGHT (LBS)	SKID QTY
PB(S/T)26	55 [1397]	50 [1270]	42 [1060]	50 [1270]	101	8
PB(S/T)32	55 [1397]	50 [1270]	42 [1060]	50 [1270]	121	
PB(S/T)33/37	62 [1575]	56 [1422]	48 [1219]	56 [1422]	127	

FIGURE 2



PBT SERIES - ENCLOSURE DIMENSIONS (In.)[mm.] - FIGURE 2

ASPENPRO MODEL	A	B	C	WEIGHT (LBS)	SKID QTY
PB(S/T)26	60 [1524]	30 [762]	30 [762]	135	5
PB(S/T)32	60 [1524]	42 [1067]	47 [1194]	135	5
PB(S/T)33/37	67 [1702]	42 [1067]	42 [1067]	165	4

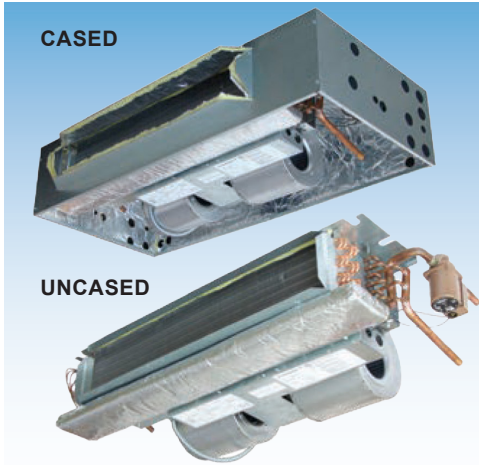
PBT SERIES - CAP KIT PART NUMBER (In.)

ASPENPRO MODEL	PART NUMBER	ENCLOSURE SIZE
PBT26/32	CAP-7	60"X24"X11"
PBT33/37	CAP-8	67"X24"X11"

In keeping with its commitment to continuous improvement, Aspen Manufacturing reserves the right to make changes without notice and incurring obligation. To stay up-to-date with this product and Aspen's trusted line of coils, air handlers, and more, go to our website. © 2026 Aspen Manufacturing. All Rights Reserved

# PF(S/T) SERIES

- ▶ CASED & UNCASED ECM DX COOL
- ▶ COPPER
- ▶ HIGH-EFFICIENCY HYDRONIC



*Representative image only. Some models may vary in appearance.*

### APPLICATION VERSATILITY

Built-in mounting tabs for ceiling or furr-down mounting. Compatible with most brands of air conditioners and heat pumps. Optional louvered ceiling access panel has separate frame that attached to ceiling joists. Optional solid ceiling panel available for use with ducted return. Less than 2% air leakage when tested in accordance with ASHRAE standard 193. Field convertible front and bottom return. Wall hanging bracket included standard.

- A2L refrigerants require a Refrigerant Detection System (RDS) for compliance. In accordance to UL 60335 Refrigerant Detection Systems are factory-installed on A2L refrigerant ready air handlers.
- ETL listed for R22, R410A, R454B, and R32 refrigerants (A2L refrigerants certified with Refrigerant Detection System (RDS)).

### 120V CONSTANT TORQUE ECM MOTOR (HYDRONIC HEAT)

Constant torque ECM speeds and torques are controlled by embedded motor software and factory preprogrammed. Direct drive blowers circulate air quietly and efficiently. Air moving system is plated mounted to allow for easy removal and service.

### ELECTRONIC CONTROLS

Electronic board controls the functioning of system, increasing system reliability. Standard factory installed freeze stat wired into circulating pump control circuit. Standard factory installed fan time delay relay for increased efficiency and maximize capacity. Standard factory installed pump cycle timer circulates hot water every four hours to prevent coil freeze and water stagnation during off-cycle.

### DIRECT EXPANSION/HYDRONIC COILS

High-efficiency rifled copper tubes and enhanced aluminum fins provide maximum heat transfer. All coils are immersion tested at 500 psi, followed by nitrogen pressurization and factory sealing to ensure optimal system integrity and long-term reliability. Liquid-line Schrader valve allows pre-installation pressure assurance testing.

Available with factory installed orifice or TXV. Primary and secondary DX condensate drain with 3/4" NPT connections. Powder-painted galvanized drain pan. Hydronic coils suitable for potable water applications.

**WARRANTY** One-year limited parts warranty.

**OPTIONS** Ask your local Aspen Sales Rep about custom options.

<b>DUAL REFRIGERANT</b>
<b>UNIVERSAL A2L REFRIGERANT TECHNOLOGY FOR R32 &amp; R454B SYSTEMS</b>
<p><b>IDEAL FOR USE WITH ASPEN AIR HANDLERS, AS WELL AS CASED &amp; UNCASED COILS!</b></p> <p>Versa Dual Refrigerant Coils are easily configurable for use with either R32 or R454B refrigerant with proper metering device. Utilizing universal Refrigerant Detection Systems (RDS) to ensure regulatory compliance.</p>
<b>OTHER POPULAR CUSTOM OPTION:</b>
Factory or field-installed TXV available.



R51341 11/25

--	--	--	--	--	--

In keeping with its commitment to continuous improvement, Aspen Manufacturing reserves the right to make changes without notice and incurring obligation. To stay up-to-date with this product and Aspen's trusted line of coils, air handlers, and more, go to our website. © 2026 Aspen Manufacturing. All Rights Reserved

Phone: 281.441.6500 Toll Free: 800.423.9007 Fax: 281.441.6510 Customer Service: info@aspenmfg.com Warranty Team: warranty@aspenmfg.com



PF(S/T) SERIES - HEATING/COOLING PERFORMANCE & ELECTRICAL DATA											
ASPEN PRO MODEL	HYDRONIC HEAT		PERFORMANCE DATA				ELECTRICAL DATA				
	NOM. COOL.	HEAT GPM	PRESS DROP (FT. WTR)	HEATING CAPACITY BTU/HR @ ENTERING WATER TEMPERATURE & NOMINAL AIRFLOW			MINIMUM CIRCUIT AMPACITY (MCA2)				MAX. BREAKER OR FUSE SIZE
				120°	140°	180°	L	P	8	R	
BTU		120V									
PF(S/T) 26	24,000	2.0	2.2	15700	22000	34600	8.75	9.53	9.59	10.55	15A
		3.0	4.3	17000	23800	37400	8.75	9.53	9.59	10.55	15A
		4.0	6.8	17600	24700	38800	8.75	9.53	9.59	10.55	15A
PF(S/T) 32	30,000	2.0	2.2	17300	24200	38000	8.75	9.53	9.59	10.55	15A
		3.0	4.3	18800	26300	41300	8.75	9.53	9.59	10.55	15A
		4.0	6.8	19600	27500	43200	8.75	9.53	9.59	10.55	15A
PF(S/T) 33	36,000	2.0	2.2	19700	27600	43400	17.50	18.28	18.34	-	30A
		3.0	4.3	21700	30400	47400	17.50	18.28	18.34	-	30A
		4.0	6.8	22800	31900	50100	17.50	18.28	18.34	-	30A
2.0		2.2	19700	27600	43400	17.50	18.28	18.34	-	30A	
3.0		4.3	21700	30400	47800	17.50	18.28	18.34	-	30A	
4.0		6.8	22800	31900	50100	17.50	18.28	18.34	-	30A	

NOTES: Heat BTUH is at 70° EAT. 120° and 180° data is supplied for boiler applications. Heat BTUH output will not exceed output of water heater. Units should not be applied to a system with less than 350 CFM/Ton airflow. Add 0.05 static when enclosure and/or ceiling panel are used. PFT33 and PFT37 have two motors and four blowers.

PF(S/T) SERIES: BLOWER DATA									
MODEL	MOTOR HP	MOTOR FLA	MOTOR VOLTAGE	SPEED TAP	CFM VS STATIC PRESSURE (DRY COIL)				
					0.1	0.2	0.3	0.4	0.5
PF(S/T) 26	1/2	7.0	120V	HIGH	1005	965	920	850	780
	1/2	7.0		MED	845	795	755	720	680
	1/2	7.0		LOW	765	710	665	635	600
PF(S/T) 32	1/2	7.0	120V	HIGH	1180	1155	1100	1040	980
	1/2	7.0		MED	1085	1040	995	965	920
	1/2	7.0		LOW	1030	965	935	885	845
PF(S/T) 33	1/2 <sup>(2)</sup>	14.0	120V	HIGH	1455	1375	1285	1195	1105
	1/2 <sup>(2)</sup>	14.0		MED	1300	1245	1185	1150	1075
	1/2 <sup>(2)</sup>	14.0		LOW	-	1030	975	915	860
PF(S/T) 37	1/2 <sup>(2)</sup>	14.0	120V	HIGH	1455	1375	1285	1195	1105
	1/2 <sup>(2)</sup>	14.0		MED	1300	1245	1185	1150	1075
	1/2 <sup>(2)</sup>	14.0		LOW	-	1030	975	915	860

PF(S/T) SERIES: AIR HANDLER CHASSIS NOMENCLATURE (ELECTRIC CEILING MOUNT)						
BRAND	VOLT.	CONFIG.	18	METERING DEVICE		-000
P	F	S/T		G		
ASPEN PRO	120V ECM MOTOR CONSTANT TORQUE HYDRONIC HANDLER	S = UNCASSED T = CASSED	NOMINAL TONNAGE (MBTUH)	4 = R410A (TXV NON-BLEED A/C or H/P) G = R410A (PISTON) X = R22 (TXV NON-BLEED A/C or H/P) B = R22 (TXV 20% BLEED A/C or H/P) F = R22 (PISTON) 6 = R410A (TXV 20% BLEED A/C OR H/P)	J = R454B (TXV NON-BLEED A/C or H/P) K = R454B (TXV 20% BLEED A/C or H/P) N = R454B (PISTON) D = R32 (TXV NON-BLEED A/C or H/P) M = R32 (PISTON)	OPTION CODE

HYDRONIC HEAT NOMENCLATURE				
HEAT KIT SERIES	POWER CONNECTION	# OF ROWS	CABINET SIZE & NOM. TON.	PUMP TYPE
Z	T	2	S	P
WATER HEAT HYDRONIC	T = TERMINAL BLOCK	2 = 2 ROW HYDRONIC COIL	M = 26/32 L = 33/37	L = LESS PUMP AND CHECK VALVE P = STANDARD PUMP AND CHECK VALVE 8 = 008 HIGH PRESSURE DROP PUMP R = 009 HIGH PRESSURE DROP PUMP

In keeping with its commitment to continuous improvement, Aspen Manufacturing reserves the right to make changes without notice and incurring obligation. To stay up-to-date with this product and Aspen's trusted line of coils, air handlers, and more, go to our website. © 2026 Aspen Manufacturing. All Rights Reserved

**ACCESS DOOR**

**VERSATILITY**

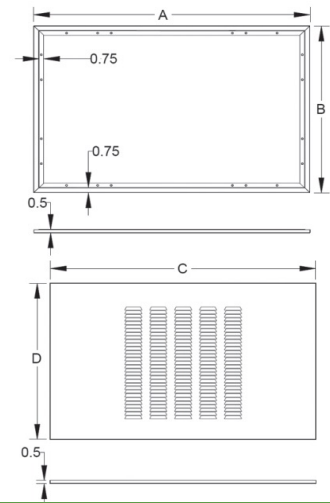
Equipped with hidden frame feature. Fastens to the outside wall surface and does not have to perfectly match the hole opening. Frame screws are not visible after installation. Available in either solid (S) or Louvered (L) style.

**MATERIALS**

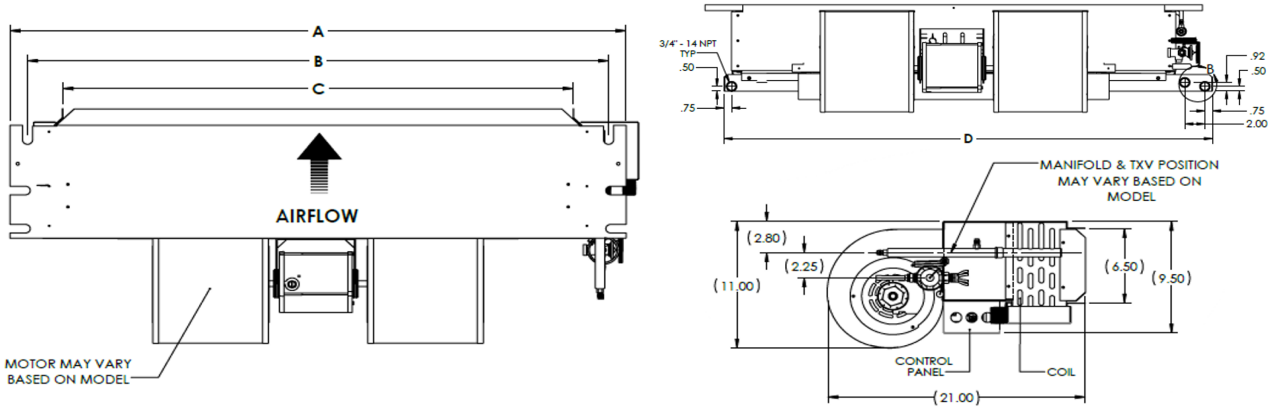
Galvanized steel construction with smooth powder paint finish.

**FILTER**

20" x 20" x 1" field supplied.



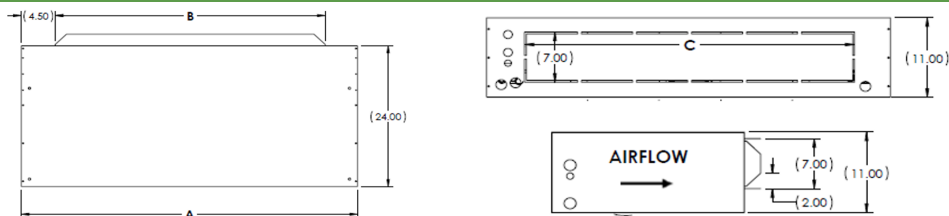
**FIGURE 1**



**PFS SERIES - CHASSIS DIMENSIONS (In.) [mm.] - FIGURE 1**

ASPENPRO MODEL	A	B	C	D	SHIP WEIGHT (LBS) PBS	SHIP WEIGHT (LBS) PFS	SKID QTY
PFS 26	55 [1397]	50 [1270]	42 [1060]	50 [1270]	101	105	8
PFS 32	55 [1397]	50 [1270]	42 [1060]	50 [1270]	121	125	
PFS 33/37	62 [1575]	56 [1422]	48 [1219]	56 [1422]	127	135	

**FIGURE 2**



**PFT SERIES - ENCLOSURE DIMENSIONS (In.) [mm.] - FIGURE 2**

ASPENPRO MODEL	A	B	C	SHIP WEIGHT (LBS) PBT	SHIP WEIGHT (LBS) PFT	SKID QTY
PFT 26	60 [1524]	42 [1067]	47 [1194]	135	140	5
PFT 32	60 [1524]	42 [1067]	47 [1194]	135	140	5
PFT 33/37	67 [1702]	48 [1219]	55 [1397]	165	170	4

**PFT SERIES - CAP KIT PART NUMBER (In.)**

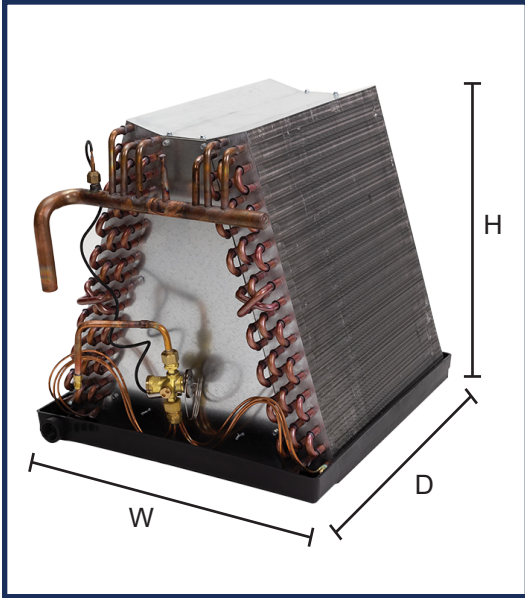
ASPENPRO MODEL	PART NUMBER	ENCLOSURE SIZE
PFT26/32	CAP-7	60"X24"X11"
PFT33/37	CAP-8	67"X24"X11"

In keeping with its commitment to continuous improvement, Aspen Manufacturing reserves the right to make changes without notice and incurring obligation. To stay up-to-date with this product and Aspen's trusted line of coils, air handlers, and more, go to our website. © 2026 Aspen Manufacturing. All Rights Reserved

# CM SERIES

▶ COPPER  
▶ UNCASED

UPFLOW / DOWNFLOW  
**MANUFACTURED HOUSING**



Representative image only. Some models may vary in appearance.

## STANDARD FEATURES

- Rifled copper tubing, enhanced aluminum fins.
- Downflow plates and manufactured housing drain hose and drain elbow included.
- Immersion tested at 500 psi, followed by nitrogen pressurization and factory sealing to ensure optimal system integrity and long-term reliability.
- Left-hand refrigerant/plumbing connections, with downturn suction line for easy installation in manufactured housing applications. Schrader valve provided for pressure assurance testing. Refrigerant and plumbing connections:
  - Liquid line: 3/8" ODS
  - **Suction line:**
    - ▶ 3/4" ODS on 1-1/2-ton to 3-ton
    - ▶ 7/8" ODS on 3-1/2-ton to 5-ton
  - Drain connections:
    - ▶ 195L pans have four (4) drains 3/4" FPT
    - ▶ 177L pans have one (1) LH 3/4" FPT
- Heavy duty polypropylene drain pans.
- ETL listed for R22, R410A, R454B, and R32 refrigerants (A2L Refrigerants certified with Refrigerant Detection System (RDS)).
- A2L refrigerants require a Refrigerant Detection System (RDS) for compliance.
- AHRI certifiable with all brands of A/C and heat pump systems.

## WARRANTY

- Ten-year limited warranty with registration.

## CUSTOMIZATION OPTIONS

### UNIVERSAL A2L REFRIGERANT TECHNOLOGY FOR R32 & R454B SYSTEMS

#### IDEAL FOR USE WITH BOTH CASED AND UNCASED COILS, PLUS ALL AIR HANDLERS!

Versa Dual Refrigerant Coils are easily configurable for use with either R32 or R454B refrigerant with proper metering device. Utilizing universal Refrigerant Detection Systems (RDS) to ensure regulatory compliance.

#### CUSTOM OPTIONS:

- Refrigerant Detection System (RDS) kit factory-installed.
  - Factory or field-installed TXV available.

R51341 11/25



In keeping with its commitment to continuous improvement, Aspen Manufacturing reserves the right to make changes without notice and incurring obligation. To stay up-to-date with this product and Aspen's trusted line of coils, air handlers, and more, go to our website. © 2026 Aspen Manufacturing. All Rights Reserved

Phone: 281.441.6500 Toll Free: 800.423.9007 Fax: 281.441.6510 Customer Service: info@aspennmfg.com Warranty Team: warranty@aspennmfg.com



WWW.ASPENMFG.COM 129

**CM SERIES: DIMENSIONAL DATA (In.)**

COIL MODEL	NOM. CAPACITY (BTU)	DRAIN PAN SIZE			COIL ASSEMBLY HEIGHT (H)	SHIPPING INFO			SKID QTY
		STANDARD WIDTH (W)		DEPTH (D)		WEIGHT (LBS)			
		17-3/4	19-1/2			2 ROW	3 ROW	4 ROW	
CM24A(2,3)*-177L	24,000	17 - 3/4	-	19 - 5/8	13 - 1/2	17	27	-	20
CM24B(2,3)*-177L		17 - 3/4	-	19 - 5/8	15 - 1/2	20	31	-	20
CM24C(2,3)*-177L		17 - 3/4	-	19 - 5/8	17 - 1/2	23	36	-	20
CM24D(2,3)*-177L		17 - 3/4	-	19 - 5/8	19 - 1/2	25	40	-	16
CM30A(2,3)*-177L	30,000	17 - 3/4	-	19 - 5/8	15 - 1/2	20	31	-	20
CM30B(2,3)*-177L		17 - 3/4	-	19 - 5/8	17 - 1/2	23	36	-	20
CM30C(2,3)*-177L		17 - 3/4	-	19 - 5/8	19 - 1/2	25	40	-	16
CM36A(2,3,4)*-177L	36,000	17 - 3/4 <sup>(4)</sup>	-	19 - 5/8	17 - 1/2	23	36	50	20
CM36B(2,3,4)*-177L		17 - 3/4 <sup>(4)</sup>	-	19 - 5/8	19 - 1/2	25	40	55	16
CM36B4*-195L		-	19 - 1/2	19 - 1/2	19 - 1/2	-	-	55	16
CM36E(3,4)*-195L		-	19 - 1/2	19 - 1/2	25 - 1/2	-	36	57	12
CM36C34 <sup>*(2)(5)</sup>		-	-	23 <sup>(2)(5)</sup>	26 <sup>(2)(5)</sup>	-	25	-	14
CM42A(2,3,4)*-177L	42,000	17 - 3/4 <sup>(4)</sup>	-	19 - 5/8	19 - 1/2	25	40	55	16
CM48A(3,4)*-177L	48,000	17 - 3/4 <sup>(4)</sup>	-	19 - 5/8	21 - 1/2	-	45	60	16
CM48B(3,4)*-177L		17 - 3/4 <sup>(4)</sup>	-	19 - 5/8	23 - 1/2	-	49	63	12
CM48C(3,4)*-177L		17 - 3/4 <sup>(4)</sup>	-	19 - 5/8	25 - 1/2	-	54	68	12
CM48D(3,4)*-177L		17 - 3/4 <sup>(4)</sup>	-	19 - 5/8	27 - 1/2	-	58	72	12
CM48E(3,4)*-177L		17 - 3/4 <sup>(4)</sup>	-	19 - 5/8	19 - 1/2	-	40	55	16
CM59A4*-177L	60,000	17 - 3/4 <sup>(4)</sup>	-	19 - 1/2	19 - 1/2	-	-	55	16
CM59A4*-195L		-	19 - 1/2	19 - 1/2	19 - 1/2	-	-	55	16
CM60A(3,4)*-195L	60,000	-	19 - 1/2	19 - 1/2	25 - 1/2	-	54	70	12
CM60B(3,4)*-195L		-	19 - 1/2	19 - 1/2	27 - 1/2	-	58	76	12

**Notes:** (1) Do not use plastic drain pans on oil furnaces or other applications where outlet temperature may exceed 290F +/- 5 °F. Metal drain pans are recommended for this type of application. (2) Metal drain pan. (4) Metal drain pan applicable for 4 row coils. (5) Use option code -000 for downflow configuration, -001 for upflow

**DRAIN PAN TEMPERATURE TABLE**

DRAIN PAN TYPE	TEMPERATURE LIMITS
Plastic - Standard	290°
Metal - High Temp	600°

R51341 11/25

**HELPFUL LINKS**



**VIEW PRODUCT ONLINE**

For full warranty terms and conditions, please refer to the Warranty Information section on Aspen's official website.



**VIEW VERSA DUAL REFRIGERANT COILS ONLINE**

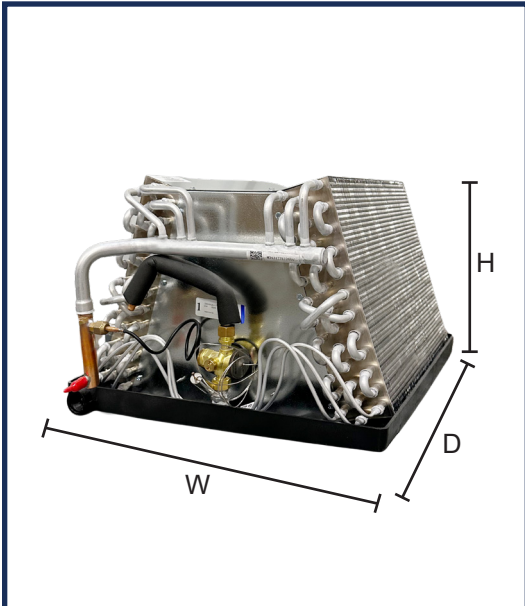
Learn more about Aspen's A2L Refrigerant Technology for R32 and R454B Systems.

In keeping with its commitment to continuous improvement, Aspen Manufacturing reserves the right to make changes without notice and incurring obligation. To stay up-to-date with this product and Aspen's trusted line of coils, air handlers, and more, go to our website. © 2026 Aspen Manufacturing. All Rights Reserved

# DM SERIES

▶ ALUMINUM  
▶ UNCASSED

UPFLOW / DOWNFLOW  
**MANUFACTURED HOUSING**



Representative image only. Some models may vary in appearance.

## STANDARD FEATURES

- Riffled aluminum tubing, enhanced aluminum fins.
- Downflow plates and manufactured housing drain hose and drain elbow included.
- Multi-stage leak testing at 500 psi pressure decay, mass spectrometer tested with Helium, then Nitrogen pressurized and factory sealed optimal system integrity and long-term reliability.
- Left-hand refrigerant/plumbing connections, with downturn suction line for easy installation in manufactured housing applications. Schrader valve provided for pressure assurance testing. **Refrigerant and plumbing connections:**
  - **Liquid line:** 3/8" ODS
  - **Suction line:**
    - ▶ 3/4" ODS on 1-1/2-ton to 3-ton
    - ▶ 7/8" ODS on 3-1/2-ton to 5-ton
  - **Drain connections:**
    - ▶ 195L pans have four (4) drains 3/4" FPT
    - ▶ 177L pans have one (1) LH 3/4" FPT
- Heavy duty polypropylene drain pans.
- AHRI certifiable with all brands of A/C and heat pump systems.
- ETL listed for R22 and R410A. ETL listed for R454B and R32 with Refrigerant Detection System (RDS).
- A2L refrigerants require a Refrigerant Detection System (RDS) for compliance.

## WARRANTY

- Ten-year limited warranty with registration.

## CUSTOMIZATION OPTIONS

### UNIVERSAL A2L REFRIGERANT TECHNOLOGY FOR R32 & R454B SYSTEMS

#### IDEAL FOR USE WITH BOTH CASSED AND UNCASSED COILS, PLUS ALL AIR HANDLERS!

Versa Dual Refrigerant Coils are easily configurable for use with either R32 or R454B refrigerant with proper metering device. Utilizing universal Refrigerant Detection Systems (RDS) to ensure regulatory compliance.

#### CUSTOM OPTIONS:

- Refrigerant Detection System (RDS) kit factory-installed.
  - Factory or field-installed TXV available.

R51341 11/25



In keeping with its commitment to continuous improvement, Aspen Manufacturing reserves the right to make changes without notice and incurring obligation. To stay up-to-date with this product and Aspen's trusted line of coils, air handlers, and more, go to our website. © 2026 Aspen Manufacturing. All Rights Reserved

Phone: 281.441.6500 Toll Free: 800.423.9007 Fax: 281.441.6510 Customer Service: info@aspennmfg.com Warranty Team: warranty@aspennmfg.com



WWW.ASPENMFG.COM 131



DM SERIES: DIMENSIONAL DATA (In.)								
COIL MODEL	NOM. CAPACITY BTU	DRAIN PAN			COIL ASMBLY HEIGHT (H)	SHIPPING INFO		
		STANDARD WIDTH (W)		DEPTH (D)		WEIGHT (LBS)		SKID QTY
		17-3/4	19-1/2			3 ROW	4 ROW	
DM24A3*-177L	24,000	17 - 3/4 <sup>(4)</sup>	-	19 - 5/8	13 - 1/2	18	N/A	20
DM24B3*-177L		17 - 3/4 <sup>(4)</sup>	-	19 - 5/8	15 - 1/2	21	N/A	20
DM24E3*-177L		17 - 3/4 <sup>(4)</sup>	-	19 - 5/8	13 - 1/2	18	N/A	20
DM24E4*-177L		17 - 3/4 <sup>(4)</sup>	-	19 - 5/8	13 - 1/2	N/A	27	20
DM36A3*-177L	36,000	17 - 3/4 <sup>(4)</sup>	-	19 - 5/8	17 - 1/2	25	N/A	20
DM36E3*-177L		17 - 3/4 <sup>(4)</sup>	-	19 - 5/8	15 - 1/2	21	N/A	20
DM36B4*-177L		17 - 3/4 <sup>(4)</sup>	-	19 - 5/8	19 - 1/2	N/A	40	16
DM36B4*-195L		-	19 - 1/2	19 - 1/2	19 - 1/2	N/A	40	16
DM36F3*-195L		-	19 - 1/2	19 - 1/2	23 - 1/2	42	N/A	12
DM36F4*-195L		-	19 - 1/2	19 - 1/2	23 - 1/2	N/A	46	12
DM42B3*-177L	42,000	17 - 3/4	-	19 - 5/8	21 - 1/2	35	N/A	16
DM42E4*-177L		17 - 3/4 <sup>(4)</sup>	-	19 - 5/8	19 - 1/2	N/A	40	16
DM48E3*-177L	48,000	17 - 3/4	-	19 - 5/8	19 - 1/2	27	N/A	16
DM59A4*-177L	60,000	17 - 3/4 <sup>(4)</sup>	-	19 - 5/8	19 - 1/2	N/A	40	20
DM59A4*-195L		-	19 - 1/2	19 - 1/2	19 - 1/2	N/A	40	20
DM60A4*-195L		-	19 - 1/2	19 - 1/2	23 - 1/2	N/A	46	12
DM60B4*-195L		-	19 - 1/2	19 - 1/2	27 - 1/2	N/A	52	12

Notes: (1) Do not use plastic drain pans on oil furnaces or other applications where outlet temperature may exceed 290F +/- 5 °F. Metal drain pans are recommended for this type of application. (2) Metal drain pan. (4) Metal drain pan applicable for 4 row coils.

DRAIN PAN TEMPERATURE TABLE	
DRAIN PAN TYPE	TEMPERATURE LIMITS
Plastic - Standard	290°
Metal - High Temp	600°

R51341 11/25

**HELPFUL LINKS**



**VIEW PRODUCT ONLINE**

For full warranty terms and conditions, please refer to the Warranty Information section on Aspen's official website.



**VIEW VERSA DUAL REFRIGERANT COILS ONLINE**

Learn more about Aspen's A2L Refrigerant Technology for R32 and R454B Systems.

In keeping with its commitment to continuous improvement, Aspen Manufacturing reserves the right to make changes without notice and incurring obligation. To stay up-to-date with this product and Aspen's trusted line of coils, air handlers, and more, go to our website. © 2026 Aspen Manufacturing. All Rights Reserved

# AE(D/U)-(S/L) SERIES ▶ ONE-PIECE ELECTRIC

UPFLOW / DOWNFLOW - FURNACES  
**MANUFACTURED HOUSING**



*Unit shown with service panels removed. Representative image only. Some models may vary in appearance.*

## APPLICATION VERSATILITY

Designed for the manufactured home market with flexibility in mind. One unit for all, Downflow (Front Return) or Upflow (Bottom Return) as shipped (field-convertible for downflow (front and top return) and downflow (top return)). Can also be field configured to opposite configuration with the proper conversion kit. (Kits sold separately). 1.5 – 5 tons of cooling or heating airflow with a range of electric heat kits.

## 240V CONSTANT TORQUE ECM MOTOR

Pre-programmed, 5-speed, 208V/240V ECM motors that ensure higher efficiency and increased energy savings by delivering constant torque during operation. Motors are pre-programmed with speeds and torques at the factory for optimal performance and reliability. Direct drive blowers circulate air quietly and efficiently. Rail mounted blowers provide easy removal for service and maintenance.

## ELECTRONIC CIRCUIT BOARD

Electronic circuit board provides 30 secs ON/OFF blower time delay extracting more heat/cool from the coil. Automotive pull-style fuse integrated into board for easy diagnosis and replacement of fuse.

## CABINET

Sturdy, galvanized steel cabinet with painted front panels. Cabinet fully insulated with 1/2" micro mat non-hygroscopic insulation to prevent sweating, encapsulate glass fibers, and to provide excellent R-value. Mechanical fastening ensure insulation remains in place.

## BLOWER

Direct drive blowers circulate air quietly and efficiently. Blowers mounted on rails so they can be easily removed for service.

## MODULAR ELECTRIC HEAT KITS

Heat kits available with either circuit breakers or terminal blocks. Available from 3 to 20 KW. Models with electric heat include sequencers and temperature limit switches for safe, efficient operation. Modules are easily installed in the field using molex plugs or can be ordered factory-installed. Controls are accessible from the front for easy service. Electrical connections can be made from the top or left. Disconnect does not protrude through the wall panel. Fan time delay relay standard for increased efficiency.

**WARRANTY** Five-year limited parts warranty with registration.

**OPTIONS** Ask your local Aspen Sales Rep for customization options.

## AE(D/U) BENEFITS & ENHANCEMENTS:

- One piece cabinet, reducing time and effort when field converting airflow orientation. Unit is convertible to either orientation with the correct door/ accessories.
- Reduced air handler weight.
- Heat kits available in both field and factory installation kits.
- AEU/D-S & AEU/D-L one-piece cabinet design fits up to a 27.5 tall coil.
- Electrical access from both sides of the cabinet.
- More room in cabinet for larger coils, as energy efficiencies increase, while maintaining overall cabinet dimensions.
- Rail-mounted blower assembly easily removed for service.
- Redesigned control panel for enhanced interface to wiring and components.
- Sloped coil shelf for optimal condensate management.

R51341 11/25



In keeping with its commitment to continuous improvement, Aspen Manufacturing reserves the right to make changes without notice and incurring obligation. To stay up-to-date with this product and Aspen's trusted line of coils, air handlers, and more, go to our website. © 2026 Aspen Manufacturing. All Rights Reserved

Phone: 281.441.6500 Toll Free: 800.423.9007 Fax: 281.441.6510 Customer Service: info@aspenmfg.com Warranty Team: warranty@aspenmfg.com



WWW.ASPENMFG.COM 133

**HEATING/COOLING PERFORMANCE & ELECTRICAL DATA**

MODEL	NOM. COOLING (BTU)	ELECTRIC HEAT KIT MODEL	PERFORMANCE DATA				ELECTRICAL DATA				
			MIN SPEED TAP	HEATING (KW)		HEATING CAPACITY (MBTUH)		MIN. CIRCUIT AMPACITY (MCA)		MAX BREAKER OR FUSE SIZE	
				208V	240V	208V	240V	208V	240V	208V	240V
AE*S	18,000 - 36,000	F(C,T)LS00	N/A	0.0	0.0	0.0	0.0	4.5	4.5	15A	15A
		F(C,T)LS03	T1	2.3	3.0	7.8	10.2	18.0	20.1	20A	25A
		F(C,T)LS05	T2	3.6	4.8	12.3	16.4	26.1	29.5	30A	30A
		F(C,T)LS06	T2	4.5	6.0	15.3	20.5	31.5	35.8	35A	40A
		F(C,T)LS08	T2	6.0	8.0	20.5	27.3	40.6	46.2	45A	50A
		F(C,T)LS10	T2	7.2	9.6	24.6	32.7	47.8	54.5	50A	60A
		F(C,T)LS15	T3	7.2 / 3.6	9.6 / 4.8	24.6 / 12.3	32.7 / 16.4	47.8 / 21.6	54.5 / 25.0	50A / 25A	60A / 25A
AE*L	36,000 - 60,000	F(C,T)LL00	N/A	0.0	0.0	0.0	0.0	9.5	9.5	15A	15A
		F(C,T)LL03	T1	2.3	3.0	7.8	10.2	23.0	25.1	25A	30A
		F(C,T)LL05	T1	3.6	4.8	12.3	16.4	31.1	34.5	35A	35A
		F(C,T)LL06	T1	4.5	6.0	15.3	20.5	36.5	40.0	35A	45A
		F(C,T)LL08	T1	6.0	8.0	20.5	27.3	45.6	51.2	50A	60A
		F(C,T)LL10	T2	7.2	9.6	24.6	32.7	52.8	59.5	60A	60A
		F(C,T)LL15	T2	7.2 / 3.6	9.6 / 4.8	24.6 / 12.3	32.7 / 16.4	52.8 / 31.1	59.5 / 25.0	60A / 25A	60A / 25A
		F(C,T)LL20	T2	7.2 / 7.2	9.6 / 9.6	24.6 / 24.6	32.7 / 32.7	52.8 / 52.8	59.5 / 50.0	60A / 45A	60A / 50A

**BLOWER DATA**

MODEL	SPEED TAP	MOTOR			CFM V EXTERNAL STATIC									
		HP	AMP	VOLTAGE	0.1	0.2	0.3	0.4	0.5	0.6	0.7	0.8	0.9	1.0
AE*-S (18,000-36,000)	T1	1/2	3.6	240	710	650	590	530	470	460	410	340	-	-
	T2	1/2	3.6		770	720	670	630	570	510	450	420	370	340
	T3	1/2	3.6		900	850	810	800	705	660	610	560	510	480
	T4	1/2	3.6		1130	1100	1060	1020	980	940	900	850	810	760
	T5	1/2	3.6		1310	1280	1240	1200	1165	1130	1080	1050	1010	970
AE*-L (36,000-60,000)	T1	1	7.0	240	1130	1100	1060	1020	965	900	860	810	750	690
	T2	1	7.0		1340	1300	1265	1230	1200	1155	1115	1050	1020	975
	T3	1	7.0		1490	1450	1420	1400	1365	1330	1300	1270	1235	1170
	T4	1	7.0		1670	1640	1610	1585	1550	1520	1500	1460	1430	1400
	T5	1	7.0		1850	1825	1800	1770	1750	1720	1690	1670	1640	1620

**ELECTRIC HEAT KIT NOMENCLATURE**

HEAT KIT SERIES	POWER CONNECTION	CABINET SIZE & NOM. TON.	HEAT STRIP
F	C	L*	00
ELECTRIC HEAT	C = CIRCUIT BREAKER T = TERMINAL BLOCK	LS = 18-36	00 = 0 KW    08 = 8 KW 03 = 3 KW    10 = 10 KW 05 = 5 KW    15 = 15 KW 06 = 6 KW
		LL = 36-60	00 = 0 KW    08 = 8 KW 03 = 3 KW    10 = 10 KW 05 = 5 KW    15 = 15 KW 06 = 6 KW    20 = 20 KW

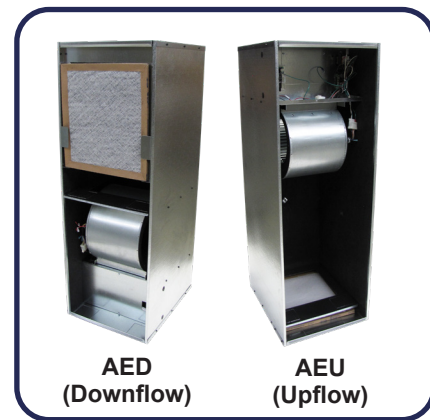
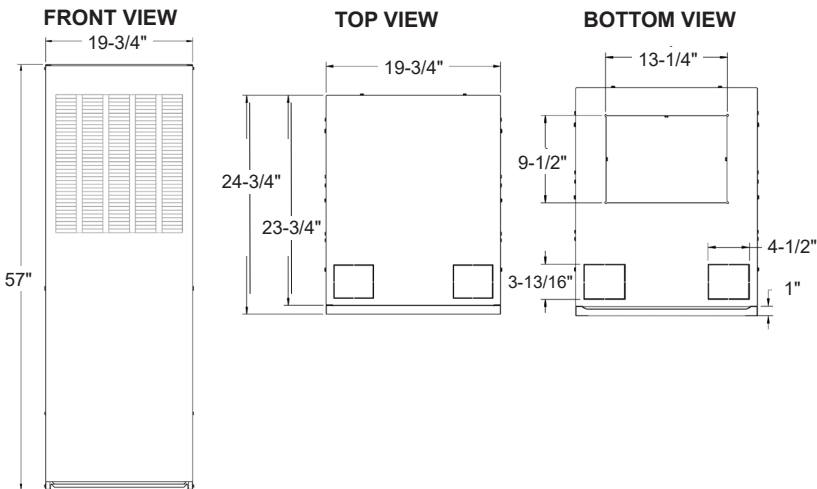
In keeping with its commitment to continuous improvement, Aspen Manufacturing reserves the right to make changes without notice and incurring obligation. To stay up-to-date with this product and Aspen's trusted line of coils, air handlers, and more, go to our website. © 2026 Aspen Manufacturing. All Rights Reserved



CHASSIS NOMENCLATURE		
CONFIGURATION	NOM. TONNAGE (MBTUH)	OPTION CODE
<b>AE*</b>	<b>S or L</b>	<b>-003</b>
<b>U = UPFLOW / BOTTOM RETURN</b>	<b>S = 18 to 36</b> <b>L = 36 to 60</b>	-003
<b>D = DOWNFLOW / FRONT RETURN</b>		-003
<b>D = DOWNFLOW / FRONT &amp; TOP RETURN</b>		-004
<b>D = DOWNFLOW / TOP RETURN</b>		-005

CONVERSION KIT - CONFIGURATION TABLE					
DEFAULT				CONVERTIBLE TO	KIT NEEDED F/ CONVERSION
MODEL	CONFIGUR.	RETURN	DOOR		
AED-S-003	DOWNFLOW	FRONT	LOUVERED	DOWNFLOW/FRONT & TOP RETURN – LOUVER DOOR	AEXK-01
AED-L-003				DOWNFLOW/TOP RETURN – SOLID DOOR	AEXK-02
AED-L-003				UPFLOW/BOTTOM RETURN – SOLID DOOR	AEXK-02
AEU-S-003	UPFLOW	BOTTOM	SOLID	DOWNFLOW/FRONT RETURN – LOUVER DOOR	AEXK-03
AEU-L-003				DOWNFLOW/FRONT & TOP RETURN – LOUVER DOOR	AEXK-03
AEU-L-003				DOWNFLOW TOP RETURN – SOLID DOOR	AEXK-01
AED-S-004	DOWNFLOW	FRONT & TOP	LOUVERED	DOWNFLOW/FRONT RETURN – LOUVER DOOR	AEXK-04
AED-L-004				DOWNFLOW/TOP RETURN – SOLID DOOR	AEXK-05
AED-L-004				UPFLOW/BOTTOM RETURN – SOLID DOOR	AEXK-05
AED-S-005	DOWNFLOW	TOP	SOLID	DOWNFLOW/FRONT RETURN – LOUVER DOOR	AEXK-03
AED-L-005				DOWNFLOW/FRONT & TOP RETURN – LOUVER DOOR	AEXK-03
AED-L-005				UPFLOW/BOTTOM RETURN – SOLID DOOR	N/A

SHIPPING SPECIFICATIONS		
MODEL	WEIGHT (LB)	SKID QTY
AEU-S-003	111	4
AEU-L-003	123	
AED-S-003	116	
AED-L-003	128	
AED-S-004	114	
AED-L-004	126	
AED-S-005	114	
AED-L-005	126	



FILTER SIZE: 18x20x1 for all configurations.

In keeping with its commitment to continuous improvement, Aspen Manufacturing reserves the right to make changes without notice and incurring obligation. To stay up-to-date with this product and Aspen's trusted line of coils, air handlers, and more, go to our website. © 2026 Aspen Manufacturing. All Rights Reserved

Phone: 281.441.6500 Toll Free: 800.423.9007 Fax: 281.441.6510 Customer Service: info@aspenmfg.com Warranty Team: warranty@aspenmfg.com

# AEN SERIES ▶ TWO-PIECE ▶ ELECTRIC



*Unit shown with service panels removed. Representative image only. Some models may vary in appearance.*

### APPLICATION VERSATILITY

One model that delivers 2 to 5 tons of cooling or heating airflow. Upflow (with MAD coil box) and downflow applications. Can be installed in closet and alcove.

### 240V CONSTANT TORQUE ECM MOTOR

Pre-programmed, 5-speed, 208V/240V ECM motors that ensure higher efficiency and increased energy savings by delivering constant torque during operation. Motors are pre-programmed with speeds and torques at the factory for optimal performance and reliability. Direct drive blowers circulate air quietly and efficiently. Motor speeds and torques programmed in the motor. Blowers mounted on rails so they can be easily removed for service.

### ELECTRONIC CIRCUIT BOARD

Electronic circuit board provides 30 secs ON/OFF blower time delay extracting more heat/cool from the coil. Automotive pull-style fuse integrated into board for easy diagnosis and replacement of fuse.

### CABINET

Sturdy, galvanized steel cabinet with painted front panels. Cabinet fully insulated with 1/2" micro mat non-hygroscopic insulation to prevent sweating, to encapsulate glass fibers, and to provide excellent R-value. Stick pins ensure insulation remains in place.

### BLOWER

Direct drive blowers circulate air quietly and efficiently. Blowers mounted on rails so they can be easily removed for service.

### MODULAR ELECTRIC HEAT KITS

Heat kits available with either circuit breakers or terminal blocks. Available from 3 to 20 KW. Models with electric heat include sequencers and temperature limit switches for safe, efficient operation. Modules are easily installed in the field using molex plugs or can be ordered factory-installed. Controls are accessible from the front for easy service. Disconnect does not protrude through the wall panel.

**WARRANTY** Five-year limited parts warranty with registration.

**OPTIONS** Ask your local Aspen Sales Rep for customization options.



R51341 11/25



In keeping with its commitment to continuous improvement, Aspen Manufacturing reserves the right to make changes without notice and incurring obligation. To stay up-to-date with this product and Aspen's trusted line of coils, air handlers, and more, go to our website. © 2026 Aspen Manufacturing. All Rights Reserved

Phone: 281.441.6500 Toll Free: 800.423.9007 Fax: 281.441.6510 Customer Service: info@aspenmfg.com Warranty Team: warranty@aspenmfg.com



HEATING/COOLING PERFORMANCE & ELECTRICAL DATA											
MODEL	NOM. COOLING (BTU)	ELECTRIC HEAT KIT MODEL	PERFORMANCE DATA					ELECTRICAL DATA			
			MIN SPEED TAP	HEATING (KW)		HEATING CAPACITY (MBTU)		MIN. CIRCUIT AMPACITY (MCA)		MAX. BREAKER OR FUSE SIZE	
				208V	240V	208V	240V	208V	240V	208V	240V
AEN	24,000 - 60,000"	F(C,T)L00	-	0.0	0.0	0.0	0.0	6.8	6.8	15A	15A
		F(C,T)L03	T1	2.3	3.0	7.8	10.2	20.3	22.4	25A	25A
		F(C,T)L05	T1	3.6	4.8	12.3	16.4	28.4	31.8	30A	35A
		F(C,T)L08	T4	6.0	8.0	20.5	27.3	42.8	48.4	45A	50A
		F(C,T)L10	T4	7.2	9.6	24.6	32.7	50.0	56.8	50A	60A
		F(C,T)L15	T4	7.2/3.6	9.6/4.8	24.6/12.3	32.7/16.4	50.0/21.6	56.8/25.0	50A/25A	60A/25A
		F(C,T)L20	T4	7.2/7.2	9.6/9.6	24.6/24.6	32.7/32.7	50.0/43.3	56.8/50	50A/45A	60A/50A

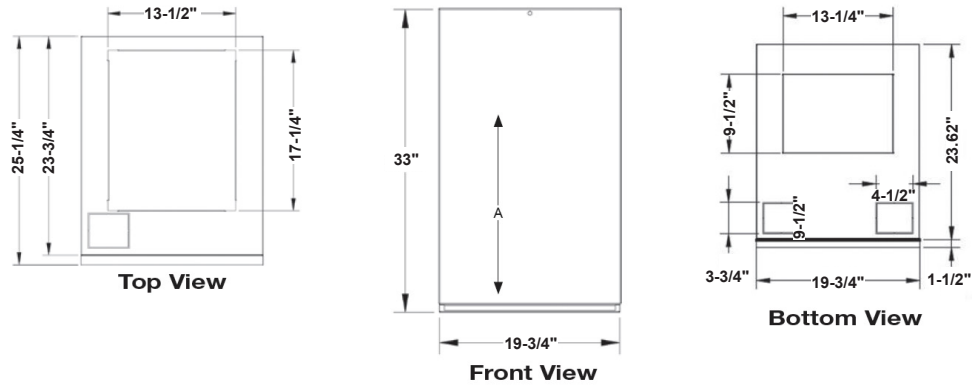
BLOWER DATA												
MODEL	240V ECM MOTOR			CFM VS EXTERNAL STATIC								
	SPEED TAP	HP	AMP	0.1	0.2	0.3	0.4	0.5	0.6	0.7	0.8	0.9
AE*-S	T1	3/4	5.4	930	860	805	750	685	605	560	520	480
	T2	3/4	5.4	1155	1070	1015	950	885	930	795	730	660
	T3	3/4	5.4	1375	1305	1255	1180	1130	1070	1030	980	920
	T4	3/4	5.4	1500	1430	1375	1315	1260	1210	1155	1100	1040
	T5	3/4	5.4	1850	1800	1760	1700	1650	1530	1400	-	-

CHASSIS NOMENCLATURE	
AEN	-003
AEN = 240V Constant torque ECM Manufactured Housing Electric Furnace	OPTION CODE

ELECTRIC HEAT KIT NOMENCLATURE			
HEAT KIT SERIES	POWER CONNECTION	CABINET SIZE & NOM. TON.	HEAT STRIP
F	C	L	00
ELECTRIC HEAT	C = CIRCUIT BREAKER T = TERMINAL BLOCK	L	00 = 0 KW 05 = 5 KW 10 = 10 KW 20 = 20 KW 03 = 3 KW 08 = 8 KW 15 = 15 KW

In keeping with its commitment to continuous improvement, Aspen Manufacturing reserves the right to make changes without notice and incurring obligation. To stay up-to-date with this product and Aspen's trusted line of coils, air handlers, and more, go to our website. © 2026 Aspen Manufacturing. All Rights Reserved

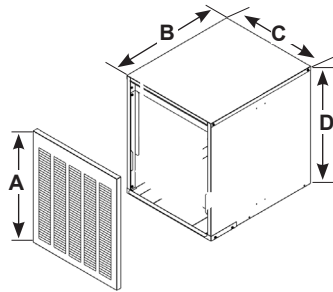
**FIGURE 1 - CABINET DIMENSIONS**



**SHIPPING SPECIFICATIONS (In.) - FIGURE 1**

MODEL	WEIGHT (LB)	SKID QTY
AEN	85	4

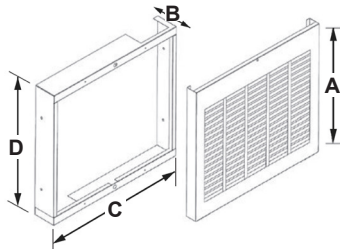
**FIGURE 2 - MAD-1/MAD-2/MAD-3 CABINETS**



**MAD CABINET DIMENSIONS (In.) - FIGURE 2**

PANEL MODEL	OPENING SIZE		PANEL SIZE	
	A	B	C	D
MAD-01(L)	18	23-1/2	19-3/4	18
MAD-02(L)	24	23-1/2	19-3/4	24
MAD-03(L)	36	23-1/2	19-3/4	36

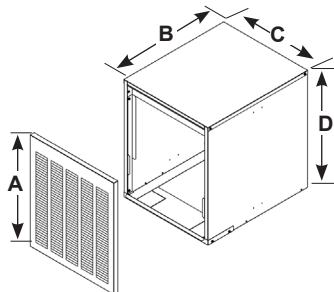
**FIGURE 3 - MAD-04 CABINETS**



**MAD CABINET DIMENSIONS (In.) - FIGURE 3**

PANEL MODEL	OPENING SIZE		PANEL SIZE	
	A	B	C	D
MAD-04(L)	24	3	19-3/4	24

**FIGURE 4 - MAD-7/MAD-8/MAD-9 CABINETS**



**MAD CABINET DIMENSIONS (In.) - FIGURE 4**

COIL CABINET APPLICATION	PANEL MODEL	OPENING SIZE		PANEL SIZE	
		A	B	C	D
DOWNFLOW (FRONT RETURN)	MAD-7	24	23-1/2	19-3/4	24
UPFLOW (BOTTOM RETURN)	MAD-8	24	23-1/2	19-3/4	24
DOWNFLOW (TOP RETURN)	MAD-9	24	23-1/2	19-3/4	24

In keeping with its commitment to continuous improvement, Aspen Manufacturing reserves the right to make changes without notice and incurring obligation. To stay up-to-date with this product and Aspen's trusted line of coils, air handlers, and more, go to our website. © 2026 Aspen Manufacturing. All Rights Reserved

# ORDERING TERMS

## REQUIRED INFORMATION

To ensure accuracy, the following information must be included with every order.

- **Company Name**
- **Contact phone number**
- **Contact Email Address**
- **Account Number and Purchase Order Number**
- **Requested Ship Date (if not indicated, the order will be placed and shipped ASAP)**

### Complete Model Numbers – including Option Codes:

- If standard equipment, please fill the space with 000
- For access doors, specify “L” for louvered or “S” for solid, where applicable.

All notes regarding special pricing, terms, shipping, etc. (include supporting documents, such as factory quote)

## SEND ORDERS TO:

**PHONE ORDERS AND FOX ORDERS ARE NOT ACCEPTED.** Send parts quote requests, order status requests, and other informational requests here: [info@aspenmfg.com](mailto:info@aspenmfg.com).

### TO CONTACT THE CUSTOMER SERVICE TEAM BY PHONE:

281-441-6500 (Dial 1 for Customer Service) or 800-423-9007

### FOR PURCHASE ORDERS:

It is important to us that we confirm receipt of every purchase order received and we enter your purchase order in a timely manner. To help us ensure we have received your purchase order, we kindly ask that all purchase orders be sent directly to our Order Entry Team at [orderentry@aspenmfg.com](mailto:orderentry@aspenmfg.com), rather than directly to your local sales representative or any other Aspen employee. We do encourage you to cc: your local sales representative on any email sent to our Order Entry Team.

Once we receive your purchase order (new ones and revisions), you will receive and “order receipt” email from [OrderEntry@AspenMFG.com](mailto:OrderEntry@AspenMFG.com), to simply let you know it was received.

Even if we have an issue with the purchase order sent in, you will receive an email letting you know about the issue and what is required to move forward.

If you do not receive a return email with a copy of your purchase order, it likely means we did not receive your purchase order.

**PLEASE SAVE THE ORDERENTRY@ASPENMFG.COM EMAIL ADDRESS AS THE PRIMARY ADDRESS FOR SUBMITTING ALL PURCHASE ORDERS TO ASPEN MANUFACTURING.**

### FOR PARTS:

It is helpful to production if you reference the original model number and the serial number of the equipment associated with the part you are ordering. Parts (such as pistons, TXVs, drain pans, etc.) ordered with equipment (air handlers/coils) will have the same lead time as the equipment. If you need the parts sooner, ordering them on a separate purchase order is best. For drain pans, coil assemblies, blower assemblies, and blower motors, the information is required. Please make sure this information is on your purchase order. We cannot process your Purchase Order without it.

## EQUIPMENT ORDERS

The minimum order quantity is fifty units. The minimum line-item quantity is one pallet.



## ORDERING SERVICE PARTS

When ordering the following **SERVICE PARTS**, we require the COMPLETE model number **and** the serial number of the associated equipment. This is a requirement of production. We cannot process your order without this required information.

**PLEASE MAKE SURE IT IS REFERENCED ON YOUR PURCHASE ORDER FOR ANY OF THE FOLLOWING PARTS.**

- Blower Motor
- Blower Housing/Wheel
- Blower Assembly
- Drain Pan
- Coil Assembly (Replacement Coil for Air Handler)

Send parts quote requests, order status requests, and other informational requests here: [info@aspenmfg.com](mailto:info@aspenmfg.com).

## TECHNICAL SUPPORT

Send email our Technical Support team to: [techsupport@aspenmfg.com](mailto:techsupport@aspenmfg.com).

**TO REACH OUT VIA PHONE PLEASE CALL:** 281.441.6500 (Dial 3 for Technical Support) or 800.423.9007

## WARRANTY

Send email concerning warranty status requests and claim inquiries here: [warranty@aspenmfg.com](mailto:warranty@aspenmfg.com).

**TO REACH OUT VIA PHONE, PLEASE CALL:** 281-441-6500 (Dial 2 for Warranty) or 800-423-9007

## WHO TO CONTACT

For any additional questions or information, please use the following email contacts.

- **WARRANTY TEAM:** [warranty@aspenmfg.com](mailto:warranty@aspenmfg.com)
- **ORDER ENTRY TEAM:** [orderentry@aspenmfg.com](mailto:orderentry@aspenmfg.com)
- **TECHNICAL SUPPORT TEAM:** [techsupport@aspenmfg.com](mailto:techsupport@aspenmfg.com)
- **CUSTOMER SERVICE:** [info@aspenmfg.com](mailto:info@aspenmfg.com)
- **ACCOUNTS PAYABLE:** [accountspayable@aspenmfg.com](mailto:accountspayable@aspenmfg.com)
- **ACCOUNTS RECEIVABLE:** [accountsreceivable@aspenmfg.com](mailto:accountsreceivable@aspenmfg.com)
- **CLAIMS:** [claims@aspenmfg.com](mailto:claims@aspenmfg.com) (ONLY for freight damage issues)
- **LOCAL SALES REPRESENTATIVE:** Scan QR Code to view Aspen's Sales Territory Guide



**SCAN HERE TO  
FIND YOUR AS-  
PEN SALES REP**

## CONTRACTOR

If you're a contractor or installer looking to purchase one of our products please contact your local HVAC Distributor.

## HOMEOWNER

Aspen Manufacturing does not employ heating and cooling technicians who come out to repair HVAC equipment and we do not have factory-authorized contractors. We rely strictly on independent heating and cooling professionals in your area to install, maintain & troubleshoot our products. If you are a home-owner or consumer, contact the heating or cooling professional who installed your equipment or a local HVAC professional in your area for service.



# TERMS & CONDITIONS

**APPLICABILITY:** These terms and conditions (“Terms”) apply to all sales of products by Aspen Manufacturing (“Aspen”) and the performance of any services by Aspen to the buyer designated in the attached quotation or order confirmation. No other terms apply, and all other terms included in any documents provided by buyer (or otherwise alleged by buyer to apply) are expressly rejected. If these Terms are included in an order confirmation, then such confirmation is not an acceptance of buyer’s terms but is a counteroffer expressly conditioned on acceptance of these Terms without additional or conflicting terms. Any modification or waiver of any of these Terms must be in writing signed by the parties.

**PAYMENT TERMS:** Payment terms are 1% 10 days, net 30 days from invoice date. A daily finance charge of 1-1/2% or the maximum allowed by law will be assessed on all past due amounts. All orders are subject to a minimum \$50 billing. All orders payable in US funds.

**FREIGHT TERMS:** All shipments of merchandise are F.O.B. Humble TX. Aspen orders for \$20,000 or more of merchandise will be shipped freight prepaid to any one destination in the continental U.S. or Canada. Aspen orders for less than \$20,000 of merchandise, and all AspenPro orders, will be shipped freight prepaid and added to invoice. “Will Call” orders for Aspen and AspenPro will not be assessed freight charges, regardless of size.

**FREIGHT CHARGES:** All accessorial charges assessed by the freight company, including drop charges, detention charges, lift gate charges, etc., will be passed on to the buyer.

**DROP SHIPMENTS:** There is a three-drop limit per truckload, with a 4-pallet minimum per drop.

**POOLING ORDERS:** For the purposes of determining freight charges, each purchase order will be evaluated individually. Pooling of orders, whether from the same customer or different customers, in order to qualify for prepaid freight will not be allowed. Aspen will group orders together whenever possible in order to minimize freight charges. Doing so will not incur future obligation.

**METHOD OF SHIPMENT:** The method of shipment is at the discretion of Aspen. If special routing is requested, Aspen will charge for the difference between such routing and normal minimum freight charge to such point.

**BUYER DELAYED DELIVERIES:** Product shipment cannot be delayed beyond a requested or agreed to delivery date once production has begun. If buyer cannot or will not accept delivery as scheduled, Aspen will charge a storage fee of \$250.00 per day for each truckload or partial truckload that remains in Aspen’s shipping facility. Buyer agrees to promptly direct such merchandise to be shipped to a secondary location, if possible, in order to minimize such charges.

**BACKORDERS:** Backorders will be shipped according to the freight terms of the original order.

**WARRANTY:** Aspen warrants all merchandise is accordance with its standard product warranties, copies of which are available on request. Aspen’s warrant varies according to product. Buyer should consult the warranty documents relevant to the products he is purchasing. ALL OTHER WARRANTIES ARE EXPRESSLY DISCLAIMED.

**ORDER AND LINE-ITEM MINIMUMS:** The minimum order quantity is fifty units. The minimum line-item quantity is one pallet.

**RECEIPT OF SHIPMENT:** Risk of loss of merchandise sold by Aspen transfers to buyer when Aspen tenders such merchandise to the carrier for delivery to buyer or its designee. Aspen’s Bill of Lading is acknowledgment by the freight carrier that they have accepted the shipment in good condition. Responsibility for shipment is the carrier’s. Damaged merchandise must be reported to the carrier directly by the buyer. The buyer should insist that such damages are itemized on the freight bill. Deductions for damage will not be allowed, Aspen’s responsibility ends with consignment of product to the carrier. If there are shortages, they should be noted on the freight bill and the carrier should be notified immediately. Aspen must receive notification of shortages within 24 hours of receipt of shipment.

**RETURN POLICY:** No merchandise will be accepted for return: all sales are final. If an exception is made by Aspen to allow return of goods, credits for new material accepted for return will be at the original sales price or current market price, whichever is lower, less handling and restocking charges of 25%. Buyer must prepay all return transportation charges. No goods will be accepted for return more than six months after shipment unless expressly allowed by Aspen. Obsolete products or products made to special order are not returnable.

**ORDER ACCEPTANCE:** All orders must be in writing and are subject to acceptance by Aspen. A purchase order number must appear on all orders. No agent, salesman, or other representative, has an authority to waive alter or enlarge these standard terms, unless authorized in writing by an officer of Aspen.

**CHANGE ORDERS:** Change orders are only allowed at Aspen’s discretion, change orders cannot be accepted after two-weeks from Purchase Order acceptance or order enters production whichever occurs earlier.

**ORDER CANCELLATION:** Orders are non-cancellable after two-weeks of Purchase Order acceptance by Aspen. All orders are considered in-production two-weeks following Purchase Order acceptance. No cancellations or modifications to orders will be accepted after production starts.

**CREDIT APPROVAL:** If, during the performance hereof, the financial responsibility of buyer is determined at the sole discretion of Aspen’s Credit Department to be unacceptable or if buyer fails to make any payments in accordance with the terms hereof, Aspen may defer or decline to make any shipments hereunder except upon receipt of Cash payments in advance, or Aspen may terminate this order without further obligation of Aspen to buyer.

**TAXES:** Any direct or excise tax which may now or hereafter be imposed by federal or state government or any subdivision thereof or other governmental authority upon the manufacture, sale or delivery of the goods covered by this order may be added by Aspen to the purchase price of such goods, and if so added, shall be paid by the buyer.



**CREDITS:** Accounting credits expire one year from date of issuance. Credits can only be applied toward the purchase of Aspen equipment (not parts). Cash reimbursement for credits in lieu of equipment purchases is not allowed.

**DELIVERY DATES:** Any delivery dates, which may be indicated, are estimates only and are not guaranteed. Buyer's requested delivery date is an approximation and subject to Aspen's acceptance. Aspen has the right to change, modify, extend, etc. any and all delivery dates.

**PROPERTY DAMAGE:** In case of product failure resulting in property damage, Aspen warranty department should be contacted immediately. No corrective action should be taken without prior written authorization from Aspen.


**PRODUCT CHANGES:** Aspen reserves the right to change specifications, design and material in the interest of product improvement, without incurring obligation to the buyer.

**FORCE MAJEURE:** Aspen is not liable for delays or defaults in performance when due to acts of God, including fire, floods, wind, storm, labor disorders, strikes, work stoppages or other labor trouble, accidents, riots, civil commotion, terrorist acts or threats, closing of the public highways, Government acts or policies and other contingencies beyond the reasonable control of Aspen.

**GOVERNING LAW:** These Terms and all sales of products by Aspen and the performance of any services by Aspen to the buyer, and any disputes arising in connection therewith, are governed by the laws of the state of Texas, excluding its conflicts of laws provisions, and the parties submit to exclusive jurisdiction in the federal or state courts located in Harris County, Texas for resolution of all such disputes, and agree that venue is proper and convenient in such forum. These Terms shall not be governed by the United Nations Convention of Contracts for the International Sale of Goods, the application of which is expressly excluded.

**LIMITATIONS:** IN NO EVENT SHALL ASPEN BE LIABLE TO BUYER OR ITS AFFILIATES OR CUSTOMERS FOR INCIDENTAL, SPECIAL, EXEMPLARY, PUNITIVE, OR CONSEQUENTIAL DAMAGES, SUCH AS LOST PROFITS AND LOST BUSINESS OPPORTUNITIES, EVEN IF SUCH DAMAGES WERE REASONABLY FORESEEABLE AND EVEN IF NOTICE WAS GIVEN OF THE POSSIBILITY OF SUCH DAMAGES.

# CABINET COLOR SELECTION GUIDE

COLOR NAME	PMS CODE	COLOR SAMPLE	TEXTURED
<b>YORK</b> <i>Mocha Latte Polyester</i>	PMB5781		No
<b>JCI</b> <i>Modern Mist</i>	PMA20381		Yes
<b>RUDD / RHEEM</b> <i>R. Metallic Polyester</i> <i>(Warm Dark Grey)</i>	PMA5313		No
<b>RHEEM</b> <i>Weatherking / Thermalzone</i>	PMA4597		Yes
<b>TRANE</b> <i>T. Gray Ultraflex II</i>	PMA0503		No
<b>DUCANE / ALLIED</b> <i>Texture</i>	PMA5906		Yes
<b>GOODMAN</b> <i>Gray Polyester</i>	PMA2352		No
<b>ICP / HEIL</b> <i>American Sterling Gray</i>	PMA3886		No
<b>FERGUSON</b> <i>Arctic Gray</i>	PMA4351		No
<b>ARMSTRONG / GE / CENTURY</b> <i>Platinum Gray</i>	PMA4898		Yes
<b>DURASTAR / RHEEM</b> <i>Iron Ore Gray</i>	PMA9221		No
<i>Silver Metallic Gray</i>	PMM1980		No
<i>Fujitsu</i>	PMA4588		No





A CSW Industrials Company

## AIR DISTRIBUTION

RectorSeal provides industry-leading digital and print support materials for its extensive chemical and mechanical solutions that include:

- Technical Product Information
- Marketing Support Materials
- Engaging Product Demonstration Videos
- Informative SDS and Product Data Sheets
- On-demand and Live Training and Webinars
- Learning Management System (LMS) support via RectorSeal Academy
- Informative Distributor and Sales Representative Tools
- Industry-related Tradeshow and Events Information


For complete details, visit [www.rectorseal.com](http://www.rectorseal.com)

For the latest product enhancements, news, and updated information, please follow RectorSeal's social media channels.

 [facebook.com/rectorseal](https://facebook.com/rectorseal)

 [linkedin.com/company/rectorseal](https://linkedin.com/company/rectorseal)

 [x.com/rectorseal](https://x.com/rectorseal)

 [instagram/rectorseal](https://instagram/rectorseal)

 [youtube.com/rectorsealcorp](https://youtube.com/rectorsealcorp)

All information is believed to be current at the time of printing, but our policy is one of continuous development. RectorSeal makes no warranties, express or implied, as to its accuracy. RectorSeal reserves the right to discontinue, update or change the information at any time without notice or without incurring obligations.

**[WWW.ASPENMFG.COM](http://WWW.ASPENMFG.COM)**

**RectorSeal®** • 2601 Spenwick Drive, Houston, TX 77055, USA • 713-263-8001 • [rectorseal.com](http://rectorseal.com)

RectorSeal®, the logos and other trademarks are property of RectorSeal, LLC, its affiliates or its licensors and are protected by copyright, trademark and other intellectual property laws, and may not be used without permission. RectorSeal reserves the right to change specifications without prior notice. ©2026 RectorSeal. All rights reserved. R51342-260108