



HVAC

air distribution

SOLUTIONS



rectorseal.com





Quality comfort requires quality products.
Find the perfect grilles, registers, and diffusers that
combine durability, efficiency, and inspired design
for every project and need.

Carefully crafted for premium performance







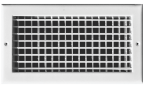

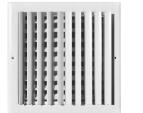


With tried-and-true quality, TRUaire offers an extensive range of HVAC products for residential and commercial projects, driven by feedback from distributors and contractors. TRUaire features over 10,000 products to provide affordable indoor comfort for all your diverse project needs. All products undergo 100% powder coating for durability, rust-free use, and quiet operation, thanks to TRUaire SmoothGlide® technology. This innovative technology ensures every product is cost-effective, long-lasting, and dependable.



Whether you're outfitting an antique building with a unique setup or adding modern convenience to a historic home, TRUaire Retrofit has versatile, airtight solutions for grilles, registers, and diffusers. TRUaire Retrofit products are molded with commercial-grade polymers for long-lasting durability, resisting breakage, scratching, yellowing, and fading in ducted applications, offering outstanding installation flexibility. Browse TRUaire Retrofit's collection of vintage and period reproductions, which provide beauty and function, seamlessly blending with the character of each unique home.

TRUaire Residential

STEEL - Sidewall/Ceiling Supply Grilles, Registers, and Diffusers

	100 Series 10 Stamped Louver Registers ½" or ⅓" Blade Spacing		400 Series 18 Stamped Curved Blade Registers
	210 / 230 Series 12 Adjustable Single Deflection Grilles and Registers		560 Series 20 High Volume Square Direction Diffusers
	220 Series 14 Adjustable Double Deflection Grilles and Registers		601 Series 22 Steel Evaporative Cooler Box
	300 Series 16 Adjustable Curved Blade Grilles and Registers		701 Series 28 High Volume Flush Diffusers
			800 Series 26 Round Ceiling Diffusers

ALUMINUM - Sidewall/Ceiling Supply Grilles, Registers, and Diffusers



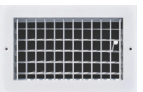

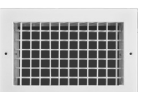


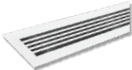
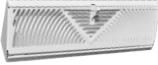







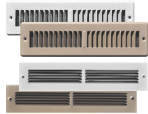


	A100 Series 28 Stamped Louver Registers ½" or ⅓" Blade Spacing		A400 Series 36 Stamped Curved Blade Registers
	A210 Series 30 Adjustable Single Deflection Grilles and Registers		A500 Series 38 Direction Diffusers
	A220 Series 32 Adjustable Double Deflection Grilles and Registers		LD / LDR Series 40 Linear Slot Diffusers Supply and Return
	A300 Series 34 Adjustable Curved Blade Grilles and Registers		LB Series 42 Linear Bar Grilles

TABLE OF CONTENTS

Baseboard Registers and Diffusers

	115 / 118 / 120 Series 44 Baseboard Sunburst Registers		122 / 123 Series 50 Steel Baseboard Grilles and Registers ¼" and ¾" Turn Back
	Designer Baseboards 46 Steel, Wood, and Resin Composite Designer Baseboard Registers		123M / 124M Series 52 ⅓" Stamped Louver Baseboard Registers
	121S Series 48 Steel Deluxe Baseboard Registers		125T Series 52 ⅓" Stamped Louver Baseboard Grilles and Registers

Floor Grilles, Registers, and Diffusers

	150 Series 54 Floor Registers		160 Designer Series 60 Steel and Decorative Floor Registers
	TS Series 56 Stamped Louver Toe Space Grilles ½" or ⅓" Blade Spacing		168 Solid Oak Series 62 Baseboard, Floor, Sidewall & Flush Mount
	154 Series 58 Steel Heavy-Duty Floor Grilles and Registers		

STEEL - Sidewall/Ceiling Grilles







	170 / 173 Series 64 Stamped Louver Grilles ½" or ⅓" Blade Spacing		190RF / 192RF / 193RF Series 68 Stamped Louver Return Filter Grilles – Removable Face (193 Series have ⅓" Blade Spacing)
	174 Series 64 Stamped Fixed Curved Blade Grilles		270 Series 70 Fixed Bar Grilles
	190 / 194 Series 66 Stamped Louver Return Filter Grilles – Fixed Hinge Face		290 / 292 / 294 Series 72 Fixed Bar Return Filter Grilles Fixed Hinge

TABLE OF CONTENTS

ALUMINUM - Sidewall/Ceiling Grilles



A170 Series74
Stamped Louver Grilles



A290 / A292 / A294 Series 78
Fixed Bar Return Filter Grilles
Fixed Hinge



A270 Series 76
Fixed Bar Air Grilles

Access Panels and Accessories



ACD690 / 670 Series80
Small Single Access Panels



ACP Series 84
Ceiling Access Panels
Solid or Louvered



ACD2400 Series 82
Sectional Ceiling Access Panels
Solid or Louvered



AWD Series86
Wall Access Doors
Solid or Louvered

TRUaire Retrofit



One Piece Grill Damper Box 89
Diffuser Airflow Specifications Retrofit Tuffbox, Accessories

TRUaire Commercial

ALUMINUM - Sidewall/Ceiling Supply Grilles, Registers, and Diffusers



A520 Series96
Modular Core Diffusers





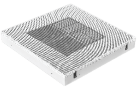




A900 Series 100
Egg Crate/Perforated Face Grilles




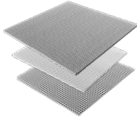
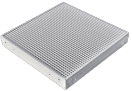


A540 Series98
Direction Diffusers

TABLE OF CONTENTS


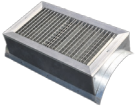


T-Bar Diffusers

	1010MA / 1020MA Series 102 Lay-In Fixed Perforated Face Diffusers		2600 Series 114 Lay-In Stamped Curved Blade Diffuser
	1120 Series 106 Lay-In Perforated Face Grilles and Diffusers		5200 Series 118 Lay-In Modular Core Diffusers
	1400 Series 108 Lay-In and Narrow Grid Perforated Hinged Face		5400 Series 120 Lay-In Directional Diffusers
	2000 Series 112 Lay-In Single Plaque and Step-Down Cone Diffusers		

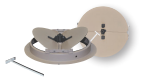
T-Bar Grilles

	1110 Series 104 Lay-In 1/2" Stamped Louver Air Grilles – Blade Spacing		1900 Series 110 Lay-In and Narrow Grid Perforated and Egg Crate Grilles
	1140 Series 110 Lay-In Egg Crate Grilles		4000 Series 116 Lay-In Return Filter Grilles
	1210RG / A1210RG Series 108 Lay-In Fixed Bar Air Grilles		

Spiral Duct Grilles and Registers

	880 Series 122 Round Diffusers		SD Series 126 Saddle Mount Single and Double Deflection Spiral Duct Grilles
	SU Series 124 Universal Mount Single and Double Deflection Spiral Duct Grilles		SF Series 128 Flush Mount Single and Double Deflection Spiral Duct Grilles

TRUaire Accessories



Steel Round Ceiling Diffuser 131
Butterfly Damper & Installation Ring



Ring Collar and Dampers 133
Ring Collar and Push Pin Fasteners
Square to Round Transition



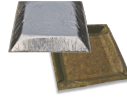
Model 5000XF 135
Surface Mounting Frame



Model AL-OBD 135
Aluminum Opposed Blade Damper



Model 5000P 136
T-Bar Panel



Insulated Back 136
Back Insulate T-Bar Lay-In
Style Grilles and Diffusers



Model FV640G 137
Louvered Foundation Vent



5400SD Series 137
T-Bar Panel

TRUaire Residential

Sidewall/Ceiling Supply Grilles, Registers, and Diffusers

Floor/Baseboard Grilles and Registers

Sidewall/Ceiling Grilles and Return Filter Grilles

Access Panels



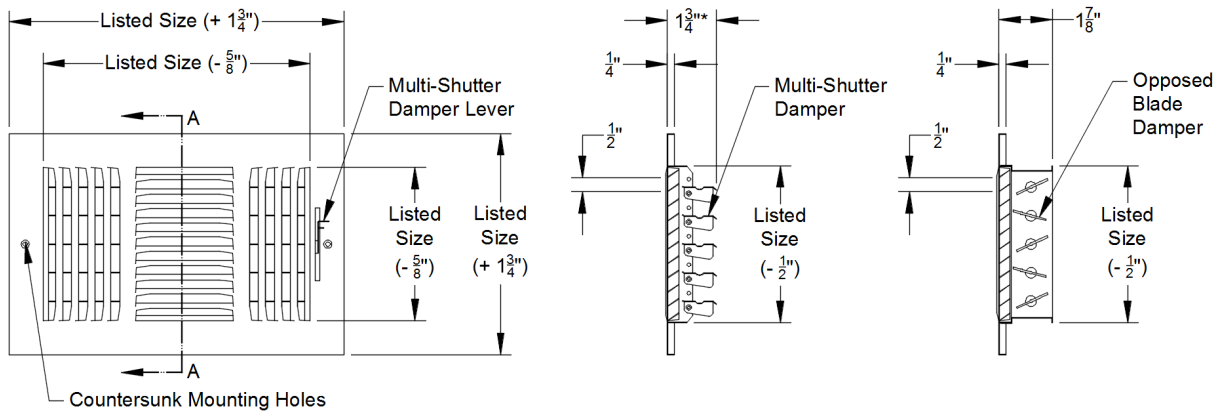
100 SERIES

Precision and function for everyday living

Countersunk screw holes

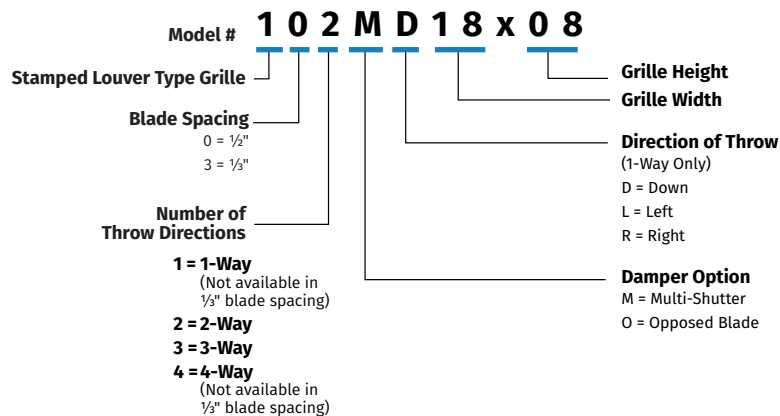
SmoothGlide™ dampers

Model 103



103M shown; all dimensions are typical

Model Number Specifications



Available throw patterns:





SIDEWALL/CEILING SUPPLY REGISTERS & DIFFUSER

100 Series

Steel Stamped Louver Register

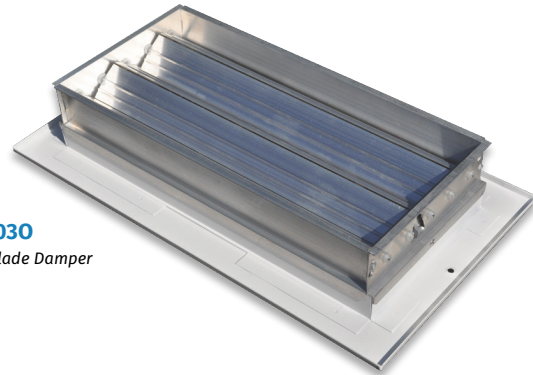
Model	Description
101MD	1-Way Down 1/2" Blade Spacing
101ML	1-Way Left 1/2" Blade Spacing
101MR	1-Way Right 1/2" Blade Spacing
102M	2-Way Right 1/2" Blade Spacing
103M	3-Way 1/2" Blade Spacing
132M	2-Way 1/3" Blade Spacing
104M	4-Way 1/2" Blade Spacing
133M	3-Way 1/3" Blade Spacing

FEATURES

- Steel construction
- Available in 1/2" and 1/3" blade spacing
- Countersunk screw holes
- SmoothGlide™ Multi-shutter damper
- Pristine white powder coat finish
- #8 x 2" Long mounting hardware include
- Optional opposed blade damper
Ex: Model 1030

Application • Sidewalls or Ceilings

Recommended for • Residential applications



Model 1030

Opposed Blade Damper

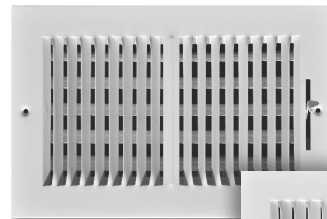
Model 101MD

1-Way Down
1/2" Blade Spacing



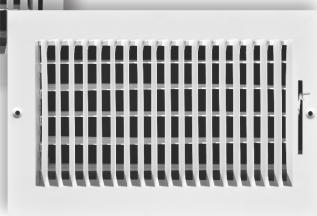
Model 102M

2-Way
1/2" Blade Spacing



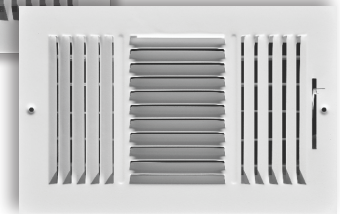
Model 101ML

1-Way Left
1/2" Blade Spacing



Model 101MR

1-Way Right
1/2" Blade Spacing

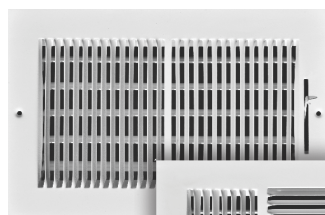


Model 103M

3-Way
1/2" Blade Spacing

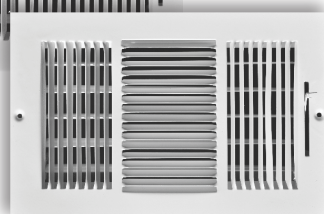
Model 132M

2-Way
1/3" Blade Spacing



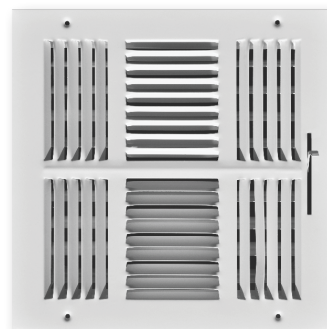
Model 133M

3-Way
1/3" Blade Spacing



Model 104M

4-Way
1/2" Blade Spacing





210 / 230 SERIES

Precision and function for everyday living

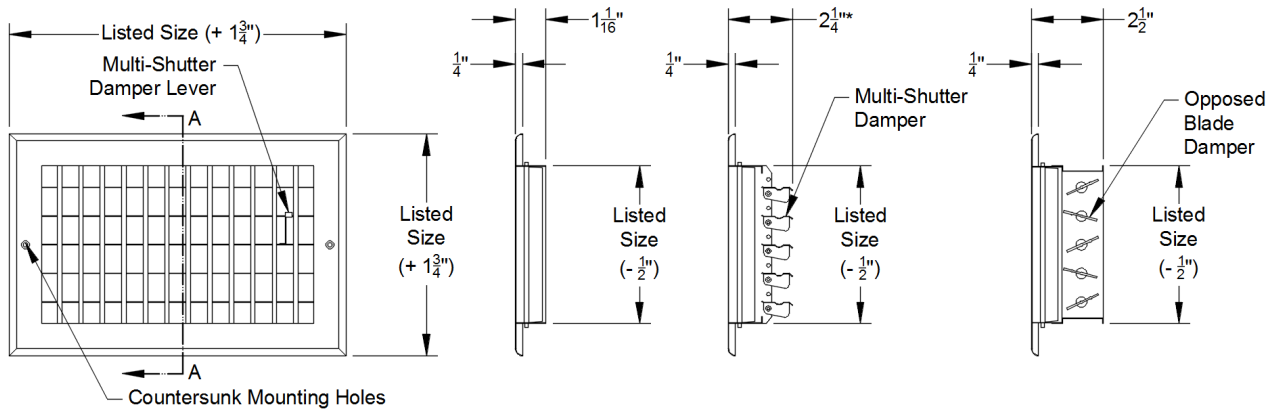


Beveled edges



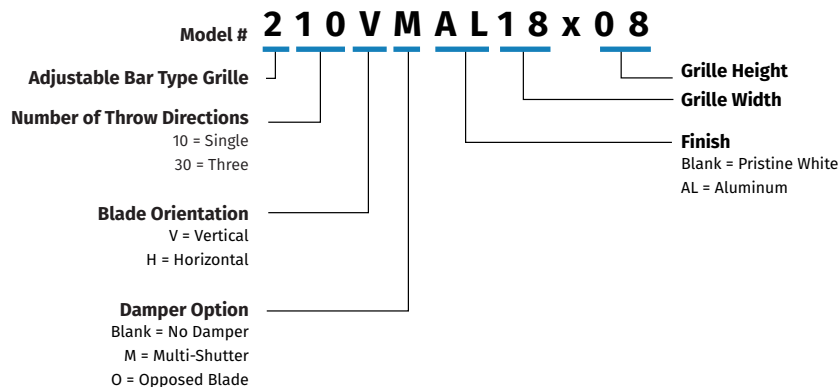
One-piece frame construction

Model 210 / 230



210VM shown; all dimensions are typical for 230VM Series

Model Number Specifications





SIDEWALL/CEILING SUPPLY GRILLES & REGISTERS

210 / 230 Series Steel Adjustable Single Deflection Register

Model	Description
210H	Adjustable Horizontal Blades No Damper
210V	Adjustable Vertical Blades No Damper
210VM	Adjustable Vertical Blades Multi-Shutter Damper
210HM	Adjustable Horizontal Blades Multi-Shutter Damper
210HO	Adjustable Horizontal Blades Opposed Blade Damper
210VO	Adjustable Vertical Blades Opposed Blade Damper
230VM	Adjustable 3-Way Blades Multi-Shutter Damper

FEATURES

- Steel construction
- One-piece frame (up to 14 x 10)
- 3/4" blade spacing
- Countersunk screw holes
- Unique beveled edges
- Individually adjustable horizontal or vertical blades
- Pristine white powder coat finish
- Optional SmoothGlide™ multi-shutter damper
- Optional opposed blade damper

Application • Sidewalls or Ceilings

Recommended for • Residential applications

Available Finishes:



AL Aluminum



BLANK White

210 Series Options

Opposed Blade Damper (OBD)

Top-notch craftsmanship includes nylon bushings to ensure the aluminum blades stay in place according to the airflow requirements.

Multi-Shutter Damper (MSD)

Reverse side shown with multi-shutter damper



Durable nylon bushings

High-quality aluminum components



Model 210H

Adjustable Horizontal Blades No Damper



Model 210V

Adjustable Vertical Blades No Damper



Model 210VM

Adjustable Vertical Blades SmoothGlide™ Multi-Shutter Damper



Model 210HO

Adjustable Horizontal Blades Opposed Blade Damper



Model 210VO

Adjustable Vertical Blades Opposed Blade Damper



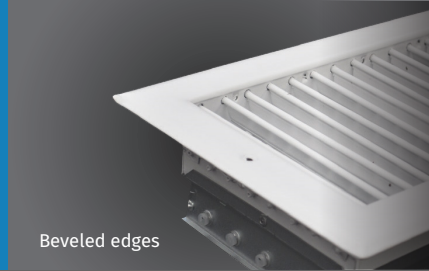
Model 230VM

Adjustable 3-Way Blades SmoothGlide™ Multi-Shutter Damper

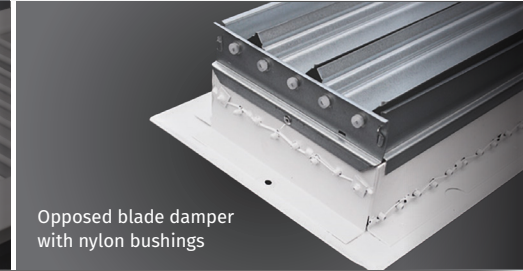


220 SERIES

Precision and function for everyday living

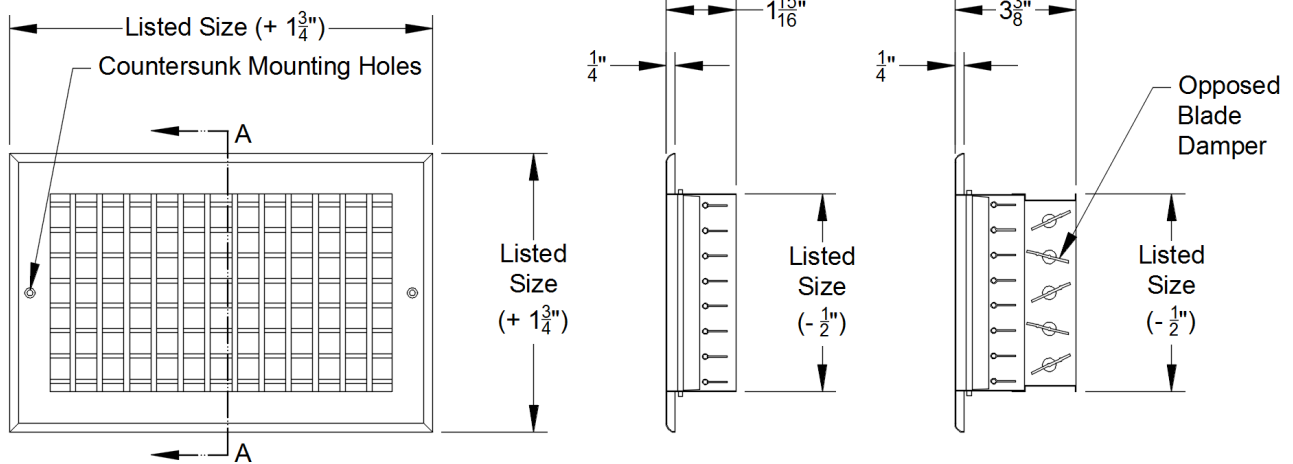


Beveled edges

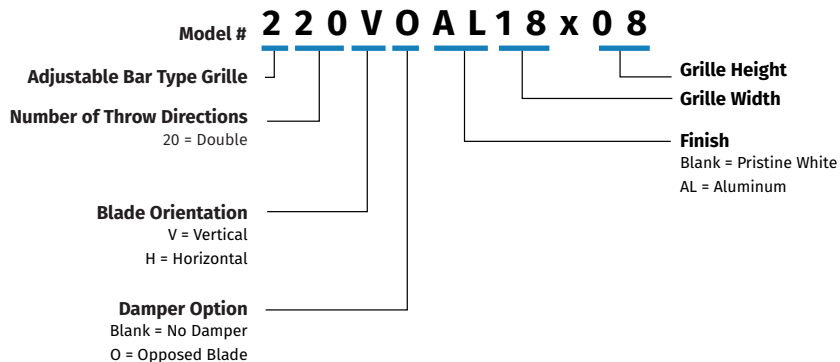


Opposed blade damper with nylon bushings

Model 220



Model Number Specifications





SIDEWALL/CEILING SUPPLY GRILLES & REGISTERS

220 Series

Steel Adjustable Double Deflection Register

Model	Description
220H	Adjustable Horizontal Blades No Damper
220V	Adjustable Vertical Blades No Damper
220HO	Adjustable Horizontal Blades in front Opposed Blade Damper
220VO	Adjustable Vertical Blades in front Opposed Blade Damper

FEATURES

- Steel construction
- One-piece frame (up to 14 x 10)
- 3/4" blade spacing
- Countersunk screw holes
- Unique beveled edges
- Individually adjustable horizontal and vertical blades
- Pristine white powder coat finish
- Optional opposed blade damper

Application • Sidewalls or Ceilings • High-capacity airflow

Recommended for • Residential applications

Available Finishes:



AL Aluminum



BLANK White

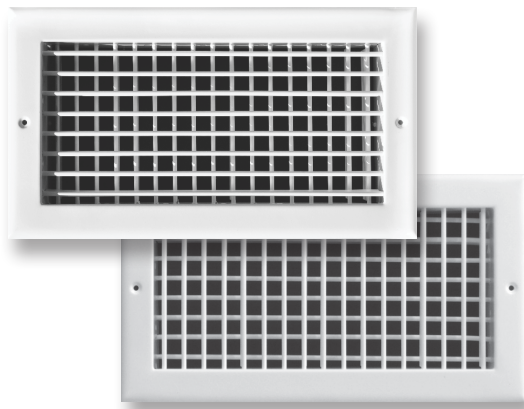
220 Series Options

Opposed Blade Damper (OBD)

Top-notch craftsmanship includes nylon bushings to ensure the aluminum blades stay in place according to the airflow requirements.

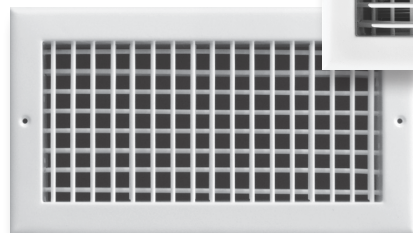
Model 220H

Adjustable Horizontal
Blades No Damper



Model 220VO

Adjustable Vertical
Blades in Front Opposed
Blade Damper

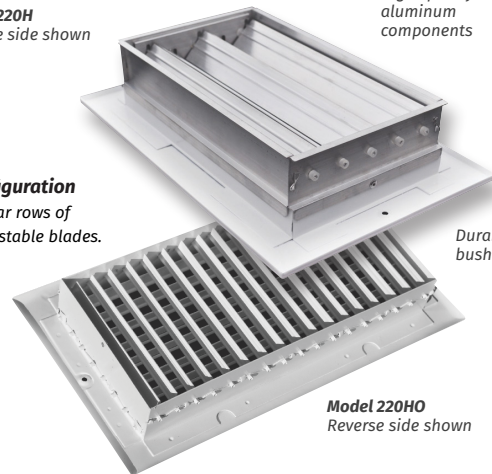


Model 220H
Reverse side shown

High-quality
aluminum
components

Standard Configuration

Two perpendicular rows of
individually adjustable blades.

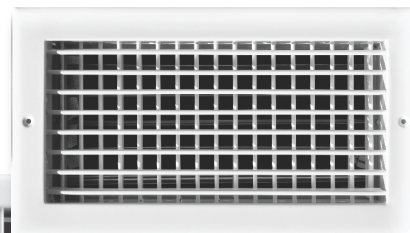


Durable nylon
bushings

Model 220HO
Reverse side shown

Model 220V

Adjustable Vertical
Blades No Damper



Model 220HO

Adjustable Horizontal
Blades in Front
Opposed Blade
Damper



300 SERIES

Precision and function for everyday living

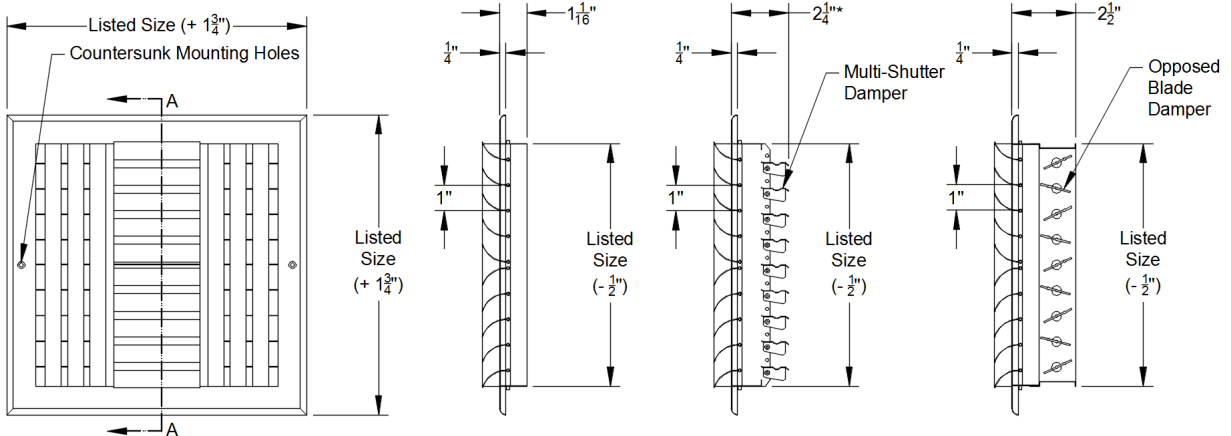
SmoothGlide™ dampers



One-piece frame without mitered pieces

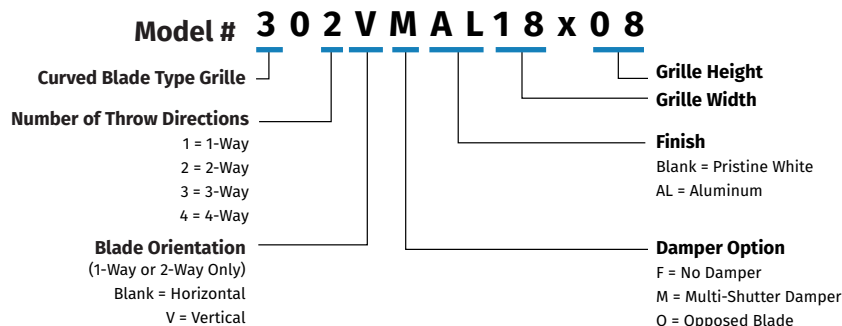


Model 300



304M shown; all dimensions are typical

Model Number Specifications



Available throw patterns:





SIDEWALL/CEILING SUPPLY DIFFUSERS

300 Series Steel Adjustable Curved Blade Diffuser

Model	Description
301M	Adjustable Curved Blade 1-Way
301VM	Adjustable Curved Blade 1-Way Vertical
302M	Adjustable Curved Blade 2-Way Horizontal
302VM	Adjustable Curved Blade 2-Way Vertical
303M	Adjustable Curved Blade 3-Way
304M	Adjustable Curved Blade 4-Way

FEATURES

- Steel construction
- One-piece frame (up to 14 x 10)
- Countersunk screw holes
- Unique beveled edges
- Individually adjustable curved blades
- Optional SmoothGlide™ multi-shutter damper
- Pristine powder coat finish
- Optional opposed blade damper

Application • Sidewalls or Ceilings

Recommended for • Residential applications

Available Finishes:

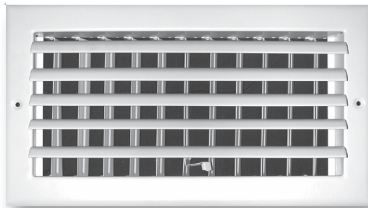


AL Aluminum

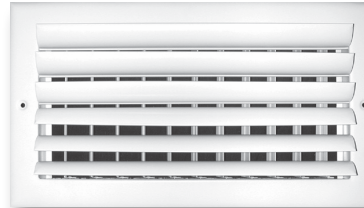


BLANK White

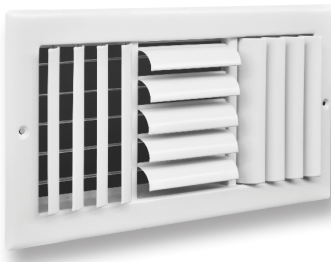
Model 3030
3-Way – OBD Option



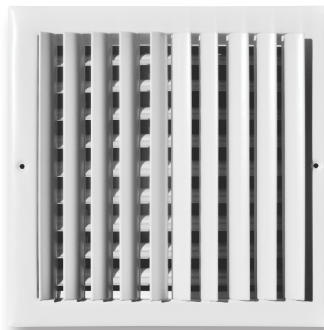
Model 301M
Curved Blade: 1-Way



Model 302M
Curved Blade:
2-Way Horizontal



Model 303M
Curved Blade: 3-Way



Model 302VM
Curved Blade: 2-Way Vertical



Model 304M
Curved Blade: 4-Way



400 SERIES

Precision and function for everyday living

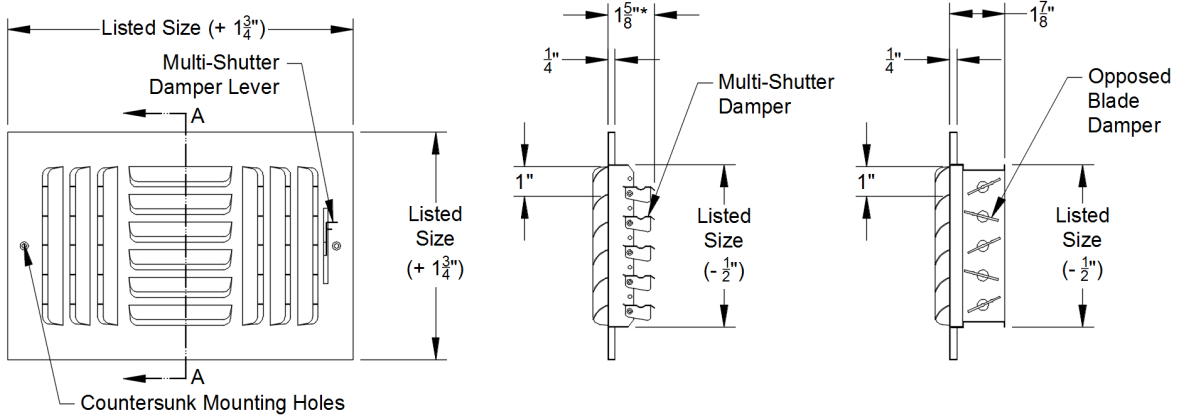


Countersunk screw hole & damper handle



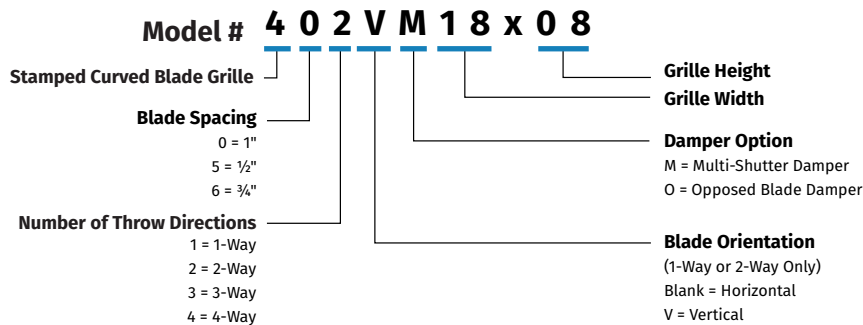
Stamped curved blade detail

Model 400



403M shown; all dimensions are typical

Model Number Specifications



Available throw patterns:





SIDEWALL/CEILING SUPPLY REGISTERS

400 Series Steel Stamped Curved Blade Register

Model	Description
401M	Stamped Curved Blade 1-Way Horizontal
402M	Stamped Curved Blade 2-Way Horizontal
402VM	Stamped Curved Blade 2-Way Vertical
403M	Stamped Curved Blade 3-Way
404M	Stamped Curved Blade 4-Way

FEATURES

- Steel construction
- Countersunk screw holes
- Curved blade face
- SmoothGlide™™ multi-shutter damper
- Pristine powder coat finish
- Optional opposed blade damper

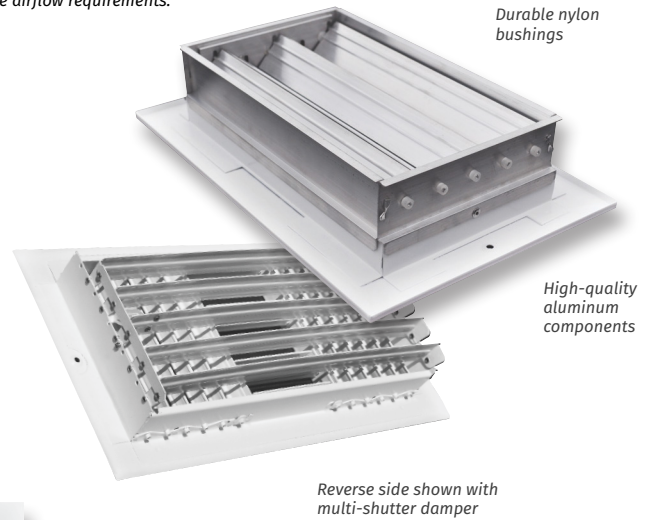
Application • Sidewalls or Ceilings

Recommended for • Residential applications

400 Series Options

Opposed Blade Damper (OBD)

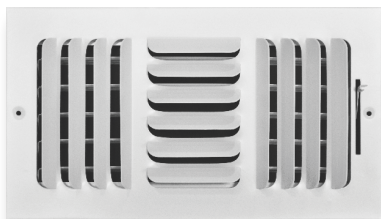
Top-notch craftsmanship includes nylon bushings to ensure the aluminum blades stay in place according to the airflow requirements.



Model 401M
Stamped Curved Blade:
1-Way Horizontal



Model 402M
Stamped Curved Blade:
2-Way Horizontal



Model 403M
Stamped Curved Blade: 3-Way



Model 402VM
Stamped Curved Blade:
2-Way Vertical



Model 404M
Curved Blade: 4-Way



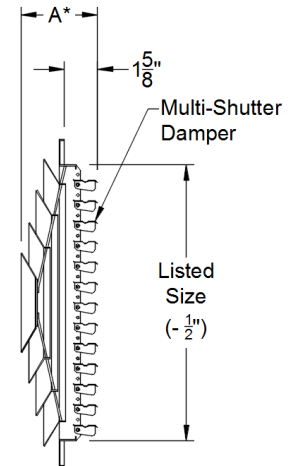
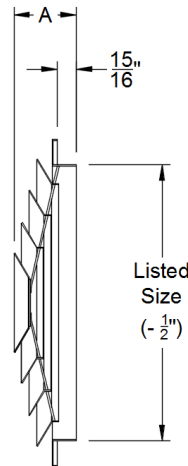
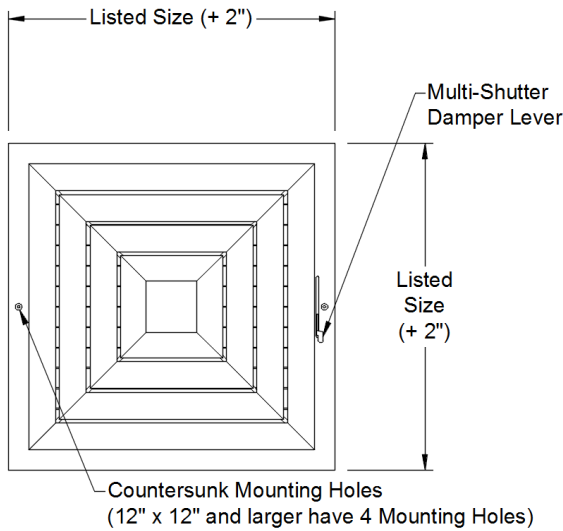
560 SERIES

Precision and function for everyday living

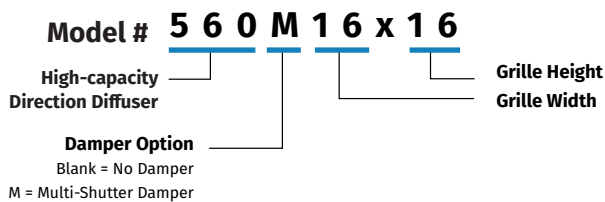
Multi-tier diffusion
(Model 560M shown)



Model 560



Model Number Specifications



Size	Grille Only Dim A	Grille w/ Multi-Shutter Damper Dim A	Number of Cones
6" x 6"	1 3/4"	2 1/2"	1
8" x 8"	2 1/4"	3"	2
10" x 10"	2 3/4"	3 1/2"	3
12" x 12"	2 3/4"	3 1/2"	3
14" x 14"	3 1/4"	4"	4
16" x 16"	3 3/4"	4 1/2"	5
18" x 18"	3 3/4"	4 1/2"	5
20" x 20"	4 1/4"	5"	6



SIDEWALL/CEILING SUPPLY DIFFUSERS

560 Series

Steel High Volume Square Direction Diffuser

Model	Description
560M	Square Ceiling Directional Diffuser
560	No Damper Square Ceiling Directional Diffuser

FEATURES

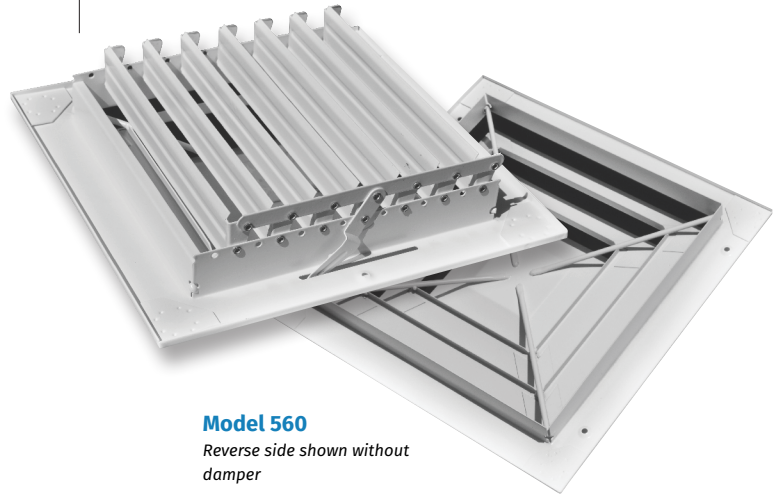
- Steel construction
- Countersunk screw holes
- Optional multi-shutter damper
- Pristine white powder coat finish

Application • Ceilings

Recommended for • Residential applications

Model 560M

Reverse side shown with damper

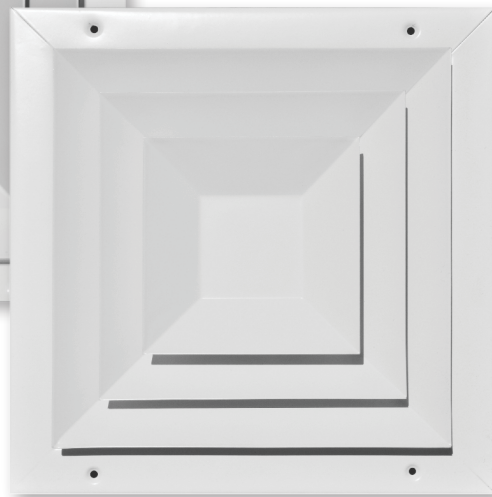
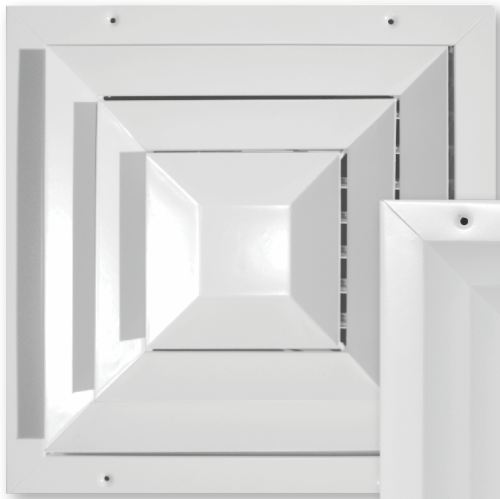


Model 560

Reverse side shown without damper

Model 560M

Square Ceiling Directional Diffuser



Profile view shown without damper

Model 560

No Damper Square Ceiling Directional Diffuser

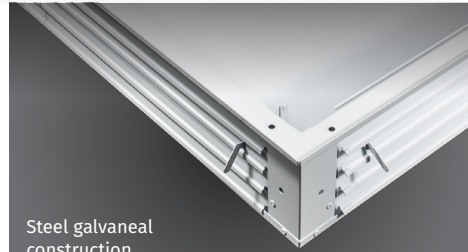


601 SERIES

Precision and function for everyday living



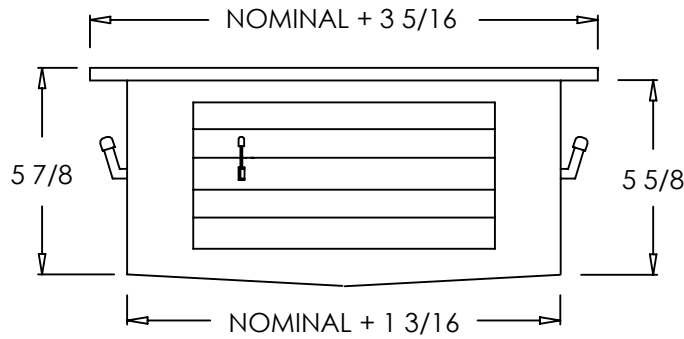
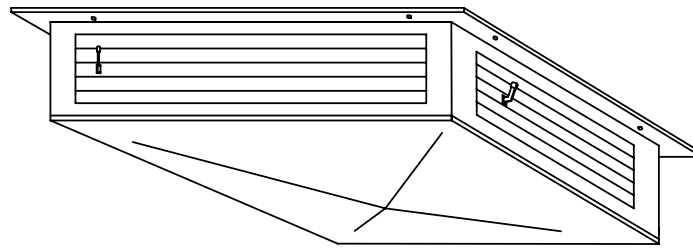
Durable powder finish



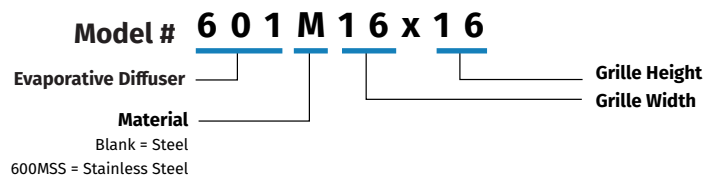
Steel galvaneal construction

High-capacity blade design

Model 601



Model Number Specifications





SIDEWALL/CEILING SUPPLY GRILLES

601 Series

Steel Evaporative Cooler Box

Model	Description
601	4-Way Ceiling Evaporative Cooler Box

FEATURES

- Steel galvaneal construction
- Creased top design deters moisture accumulation
- Designed for large volume air delivery
- For evaporative coolers or central blower systems
- Adjustable directional dampers with shut-off
- Countersunk mounting holes with color matching Phillips Pozidriv screws
- Rust-resistant pre-coat with durable powder finish

Application • Ceilings

Recommended for • Residential and commercial applications

Available Finishes:

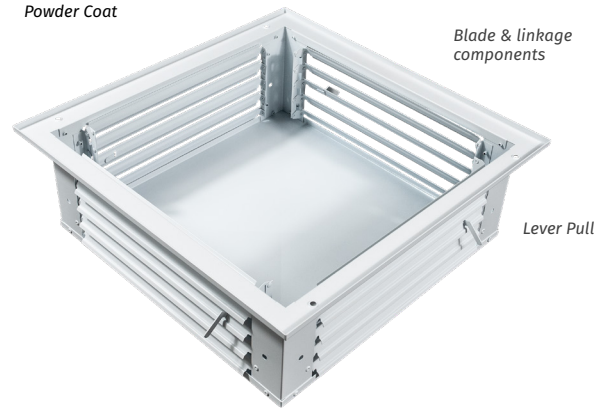


Stainless Steel



Pristine White Powder Coat Finish

Model 601
Pristine White Powder Coat



Blade & linkage components

Lever Pull

Model 601
4-Way Ceiling Evaporative Cooler Box

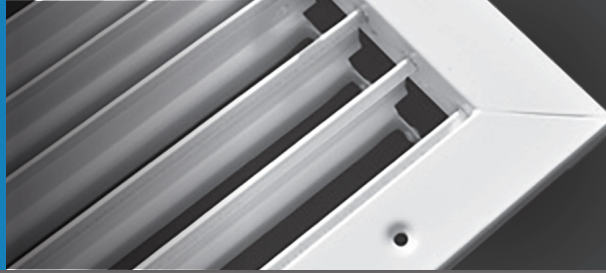


Blade design allows for maximum airflow



701 SERIES

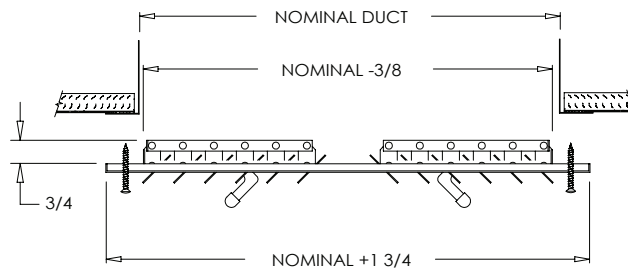
Precision and function for everyday living



High-capacity blade design

Pristine white powder coat finish

Model 701



Model Number Specifications

Model # 7 0 1 1 6 x 1 6

Stamped Louver Type Grille | Grille Height | Grille Width



SIDEWALL/CEILING SUPPLY DIFFUSERS

701 Series

Steel High Volume Flush Diffuser

Model	Description
-------	-------------

701	High Velocity Multi-Louver Flush Diffuser
-----	---

FEATURES

- Steel construction
- Countersunk screw holes
- Multi-shutter damper
- Pristine white powder coat finish

Application • Sidewalls or Ceilings

Recommended for • Residential applications



Shown Closed



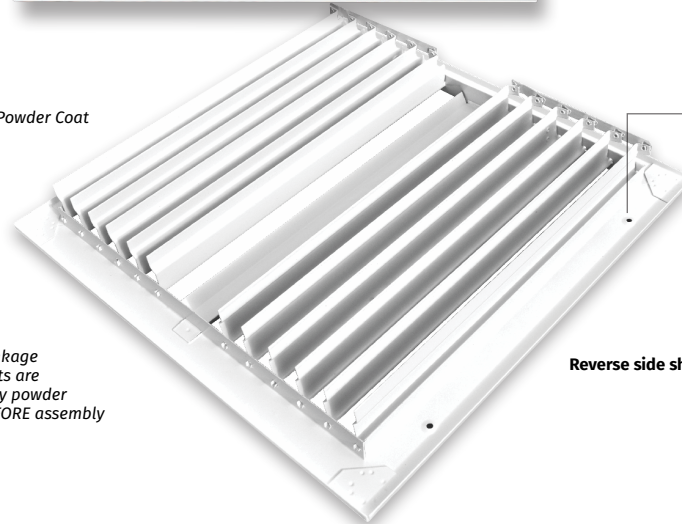
Shown Open



Model 701

High Velocity
Multi-Louver Flush
Diffuser

Model 701
Pristine White Powder Coat



Blade & linkage
components are
individually powder
coated BEFORE assembly

Durable rivets
installed AFTER
powder coating for
smoothest operation

Reverse side shown



800 SERIES

Precision and function for everyday living

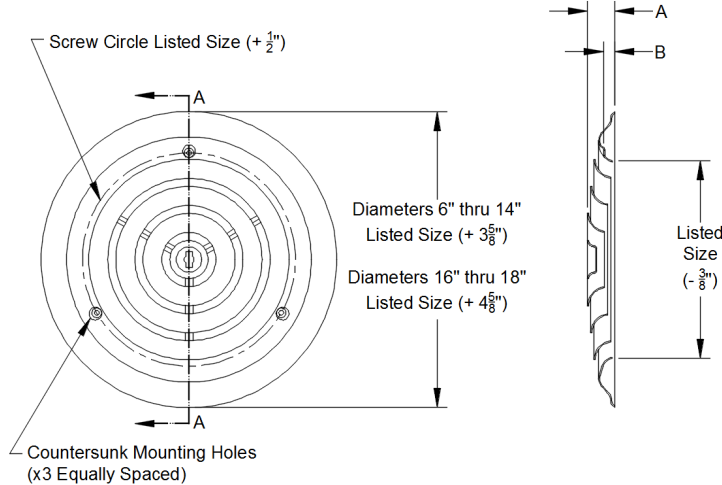
Diffuser



Butterfly damper

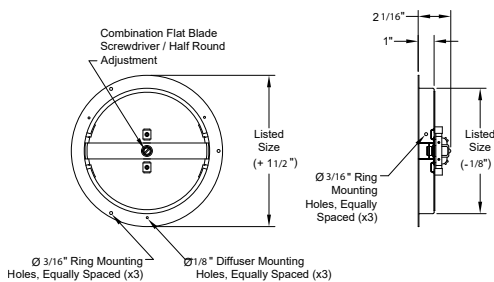


Model 800

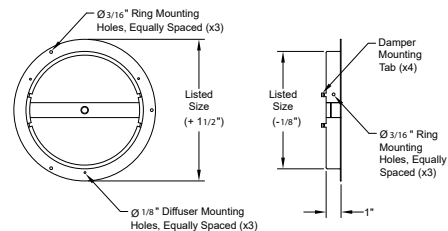


Nominal Size	Dimensions	
	"A"	"B"
6"	1 1/8"	7/16"
8"	1 1/8"	7/16"
10"	1 1/8"	7/16"
12"	1 1/4"	7/16"
14"	1 3/8"	7/16"
16"	1 5/8"	1/2"
18"	2"	1/2"

Model 801



Model 803



Model Number Specifications

Model # 8 0 3 X 1 0

Round Ceiling Diffusers Surface Mount

Damper & Mounting Ring Options

0 = Round Diffuser
1 = Damper & Mounting Ring
3 = Mounting Ring

Nominal Duct Diameter

06 = 6"Ø 14 = 14"Ø
08 = 8"Ø 16 = 16"Ø
10 = 10"Ø 18 = 18"Ø
12 = 12"Ø



SIDEWALL/CEILING SUPPLY DIFFUSERS

800 Series Steel Round Ceiling Diffuser

Model	Description
800	Steel Round Ceiling Diffuser
801	Butterfly Damper & Installation Ring
803	Installation Ring Only

FEATURES

- Steel construction
- Countersunk screw holes
- Pristine white powder coat finish
- Optional butterfly damper

Application • Ceilings

Recommended for • Residential applications

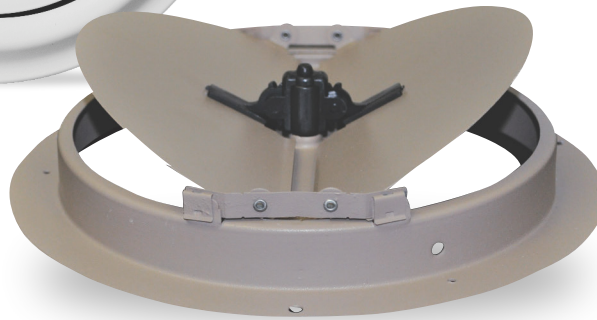
Model 800
Ceiling Diffuser



Model 803
Installation Ring Only



Model 801
Butterfly Damper &
Installation Ring





A100 SERIES

Precision and function for everyday living

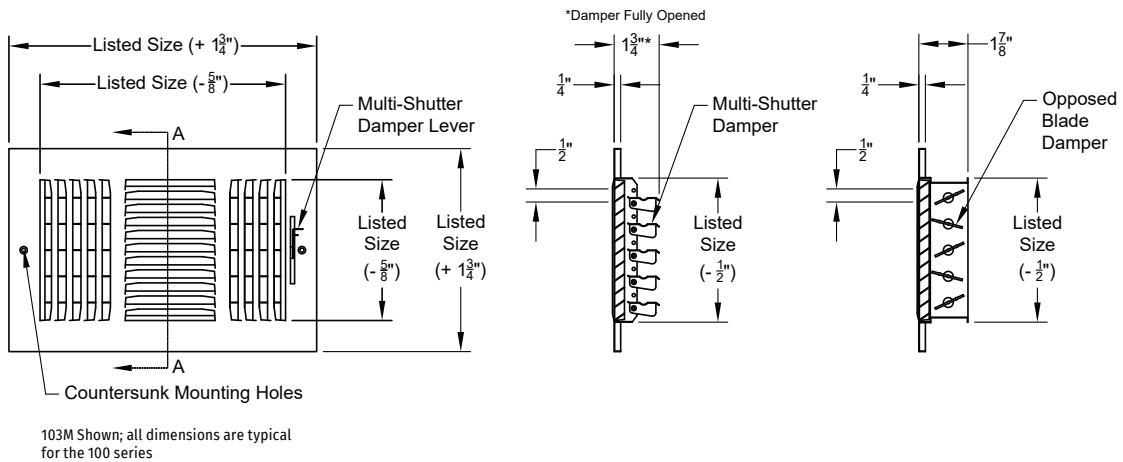


Adjustable multi-shutter damper

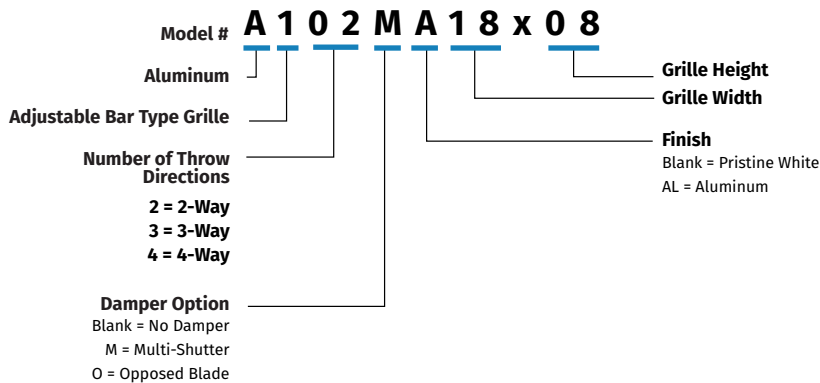


Durable nylon bushings

A100 Series



Model Number Specifications





SIDEWALL/CEILING SUPPLY GRILLES & REGISTERS

A100 Series

Aluminum Adjustable Single Deflection Register

Model	Description
A102M	2-Way, Stamped Louver, Multi-Shutter Damper
A103M	3-Way, Stamped Louver, Multi-Shutter Damper
A104M	4-Way, Stamped Louver, Multi-Shutter Damper

FEATURES

- Aluminum construction
- 1/2" blade spacing
- Countersunk screw holes
- Individually adjustable horizontal or vertical airfoil blades
- Pristine white powder coat finish
- SmoothGlide™ multi-shutter damper
- Optional opposed blade damper

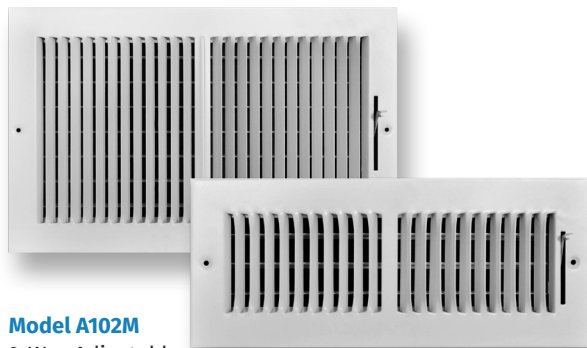
Application • Sidewalls or Ceilings

Recommended for • Residential applications

A100 Series Options

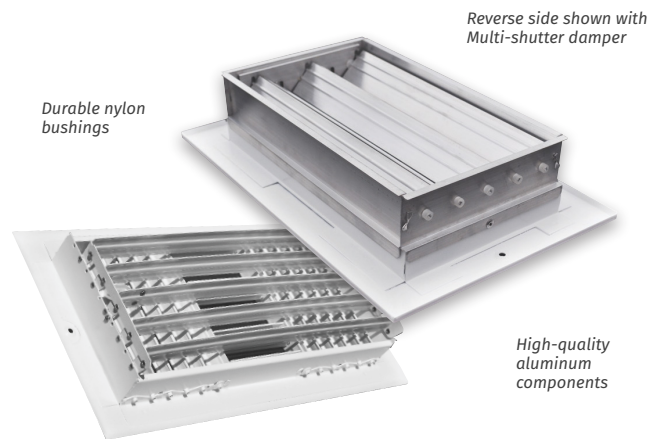
Opposed Blade Damper (OBD)

Top-notch craftsmanship includes nylon bushings to ensure the aluminum blades stay in place according to the airflow requirements



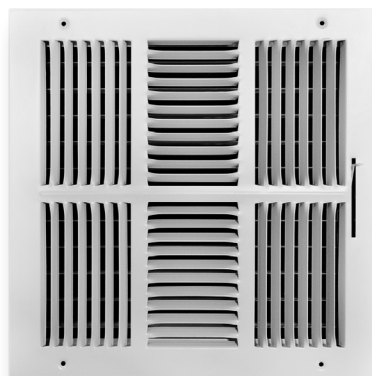
Model A102M

2-Way Adjustable
Multi-Shutter
Damper



Model A103M

3-Way Adjustable
Multi-Shutter Damper



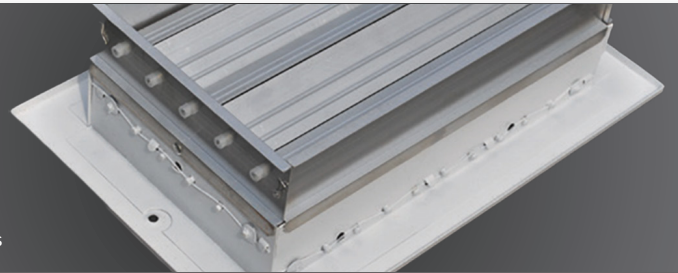
Model A104M

4-Way Adjustable
Multi-Shutter
Damper



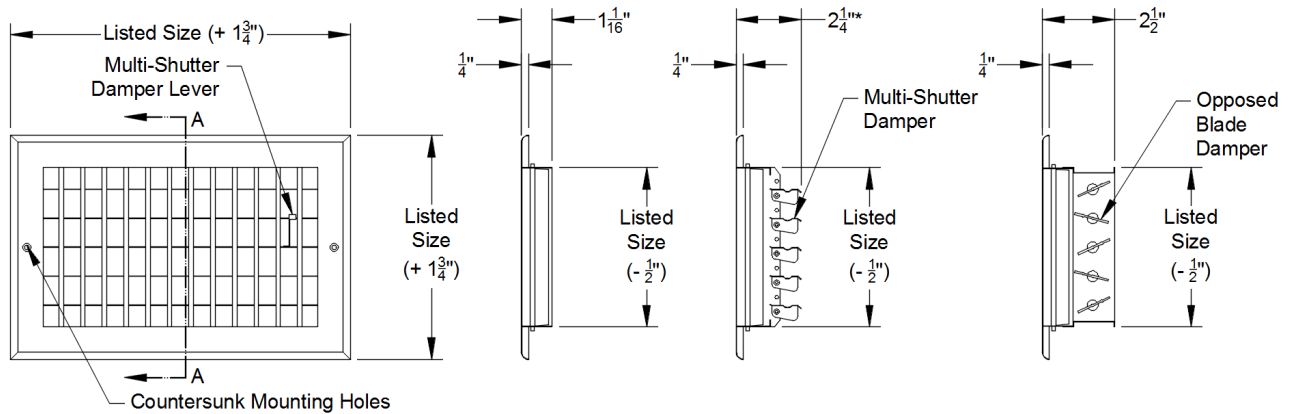
A210 SERIES

Precision and function for everyday living

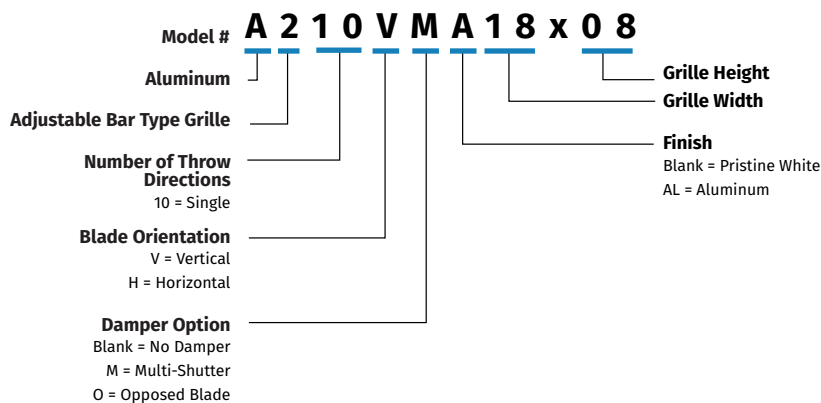


Durable nylon bushings

Model A210



Model Number Specifications





SIDEWALL/CEILING SUPPLY GRILLES & REGISTERS

A210 Series

Aluminum Adjustable Single Deflection Register

Model	Description
A210H	Adjustable Horizontal Blades No Damper
A210V	Adjustable Vertical Blades No Damper
A210VM	Adjustable Vertical Blades SmoothGlide™ Multi-Shutter Damper
A210HM	Adjustable Horizontal Blades SmoothGlide™ Multi-Shutter Damper
A210HO	Adjustable Horizontal Blades Opposed Blade Damper
A210VO	Adjustable Vertical Blades Opposed Blade Damper

FEATURES

- Aluminum construction
- One-piece frame (up to 14 x 10)
- 3/4" blade spacing
- Countersunk screw holes
- Individually adjustable horizontal or vertical airfoil blades
- Pristine white powder coat finish
- Optional SmoothGlide™ multi-shutter damper
- Optional opposed blade damper

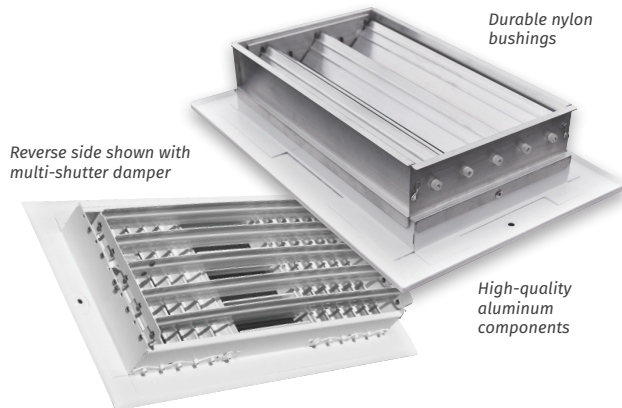
Application • Sidewalls or Ceilings

Recommended for • Residential or Commercial applications

A210 Series Options

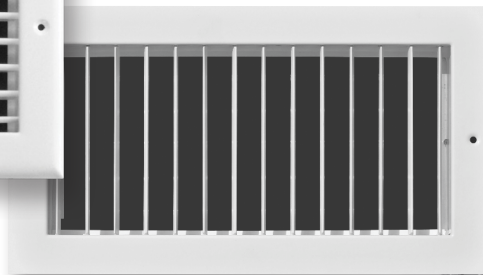
Opposed Blade Damper (OBD)

Top-notch craftsmanship includes nylon bushings to ensure the aluminum blades stay in place according to the airflow requirements



Model A210H

Adjustable Horizontal Blades
No Damper



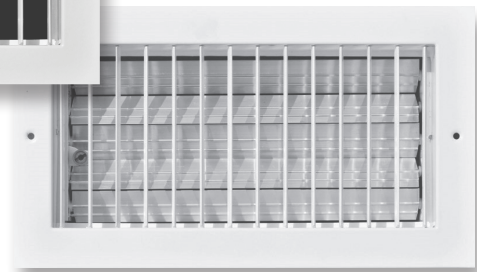
Model A210V

Adjustable Vertical Blades
No Damper



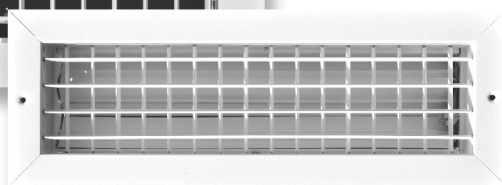
Model A210VM

Adjustable Vertical
Blades SmoothGlide™
Multi-Shutter Damper



Model A210VO

Adjustable Vertical Blades
Opposed Blade Damper



Model A210HO

Adjustable Horizontal Blades
Opposed Blade Damper

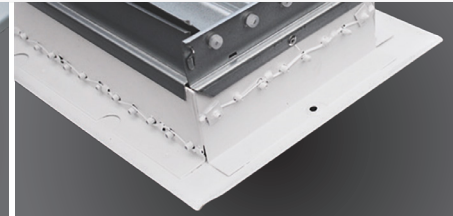


A220 SERIES

Precision and function for everyday living

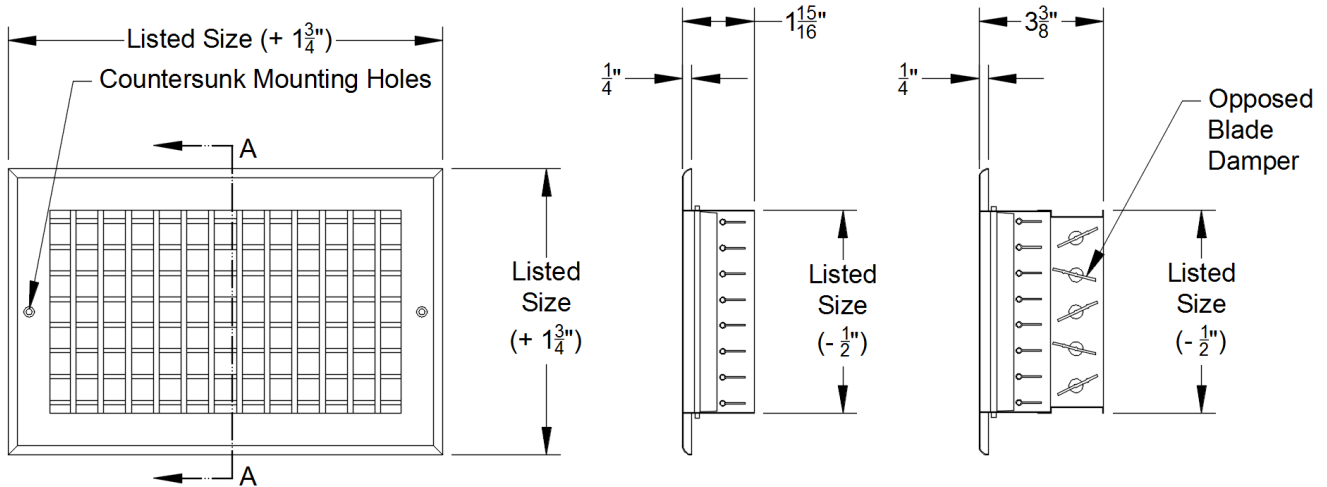


Square corners

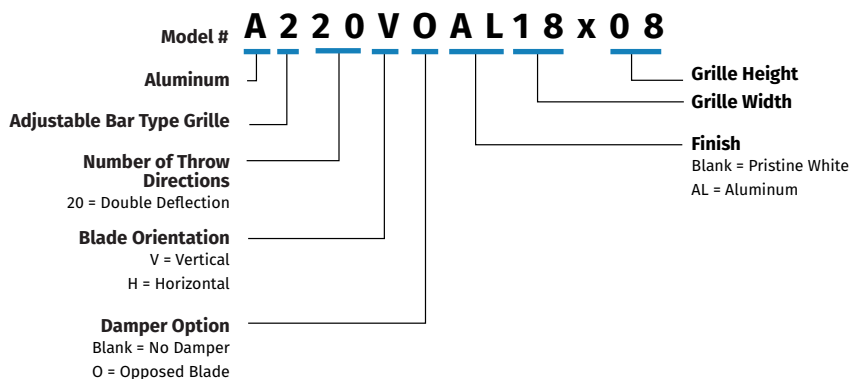


Nylon bushings add tension to damper blades

Model A220



Model Number Specifications





SIDEWALL/CEILING SUPPLY GRILLES & REGISTERS

A220 Series

Aluminum Adjustable Single Deflection Register

Model	Description
A220H	Adjustable Horizontal Blades No Damper
A2220V	Adjustable Vertical Blades No Damper
A220HO	Adjustable Horizontal Blades in Front Opposed Blade Damper
A220VO	Adjustable Vertical Blades in Front Opposed Blade Damper

FEATURES

- Aluminum construction
- One-piece frame (up to 14 x 10)
- 3/4" blade spacing
- Countersunk screw holes
- Individually adjustable horizontal and vertical airfoil blades
- Pristine white powder coat finish
- Optional opposed blade damper

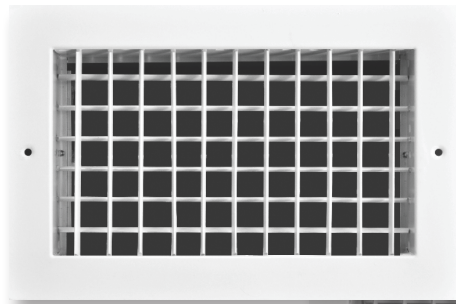
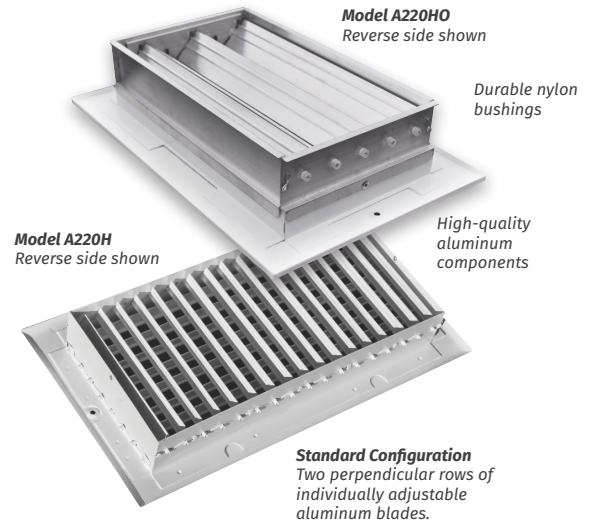
Application • Sidewalls or Ceilings

Recommended for • Residential or Commercial applications

A220 Series Options

Opposed Blade Damper (OBD)

Top-notch craftsmanship includes nylon bushings to ensure the aluminum blades stay in place according to the airflow requirements.



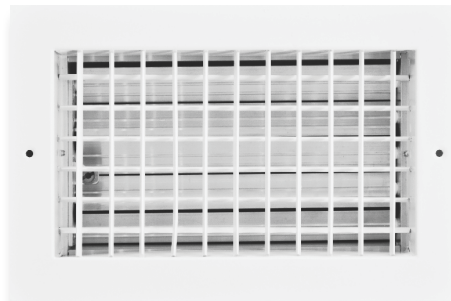
Model A220V
Adjustable
Vertical Blades
No Damper



Model A220H
Adjustable Horizontal
Blades No Damper

Model A220VO

Adjustable Vertical Blades
in Front Opposed Blade
Damper



Model A220HO

Adjustable Horizontal Blades in
Front Opposed Blade Damper



NOTE: Also Available in Steel. See the 220 Series.



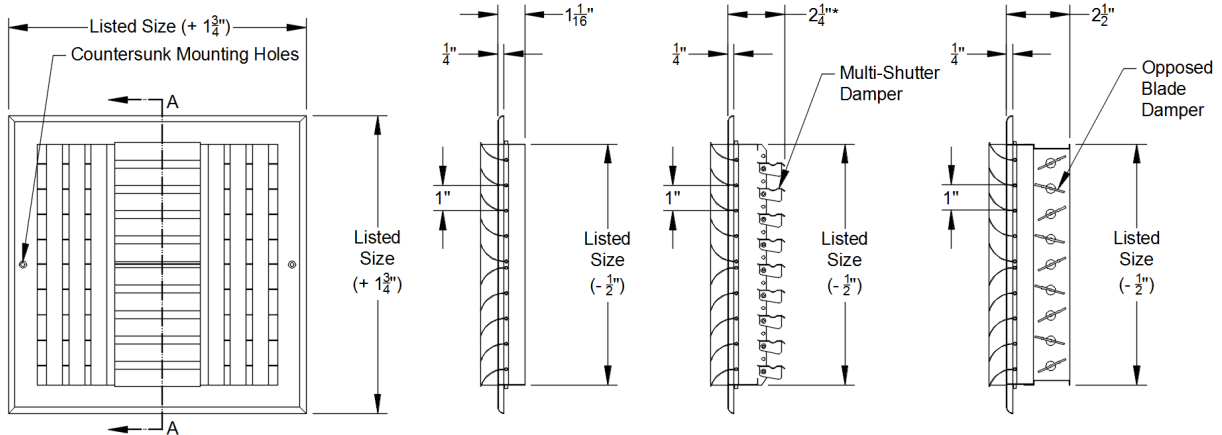
A300 SERIES

Precision and function for everyday living

SmoothGlide™ dampers

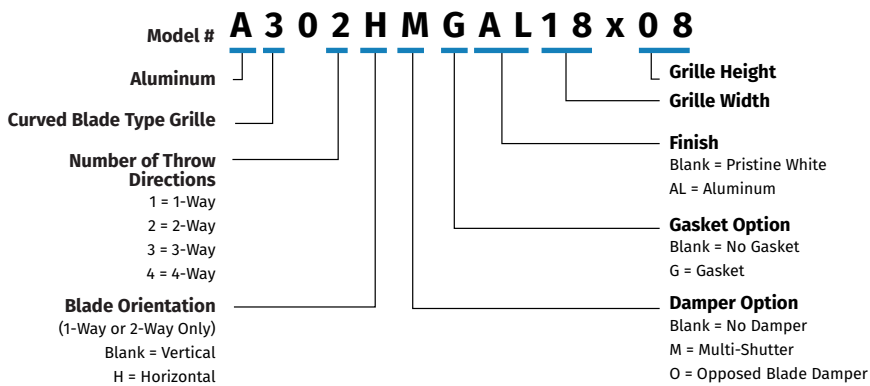
Large, adjustable blades

Model A300



A304 shown; all dimensions are typical

Model Number Specifications



Available throw patterns:





SIDEWALL/CEILING SUPPLY DIFFUSER

A300 Series

Aluminum Adjustable Curved Blade Diffuser

Model	Description
A301M	Adjustable Curved Blade 1-Way Vertical
A301HM	Adjustable Curved Blade 1-Way Horizontal
A302HM	Adjustable Curved Blade 2-Way Horizontal
A302M	Adjustable Curved Blade 2-Way Vertical
A303M	Adjustable Curved Blade 3-Way
A304M	Adjustable Curved Blade 4-Way

FEATURES

- Aluminum construction
- One-piece frame (up to 14 x 10)
- Countersunk screw holes
- Individually adjustable curved blades
- Optional SmoothGlide™ multi-shutter damper
- Pristine white powder coat finish
- Optional opposed blade damper

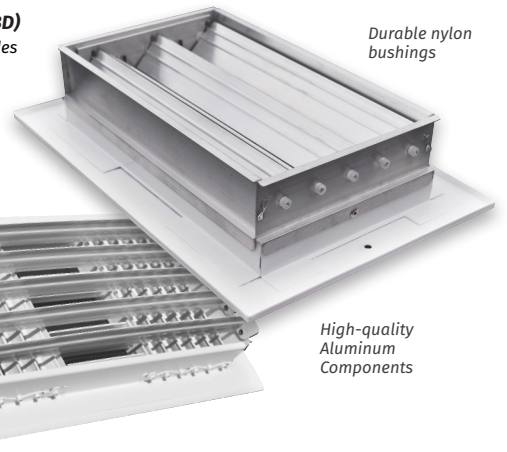
Application • Sidewalls and ceiling

Recommended for • Residential or Commercial applications

A300 Series Options

Opposed Blade Damper (OBD)

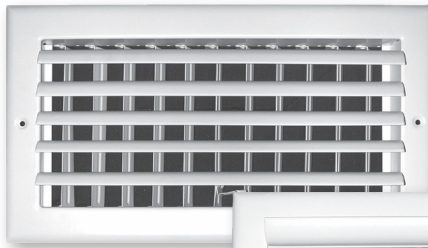
Top-notch craftsmanship includes nylon bushings to ensure the aluminum blades stay in place according to the airflow requirements.



Durable nylon bushings

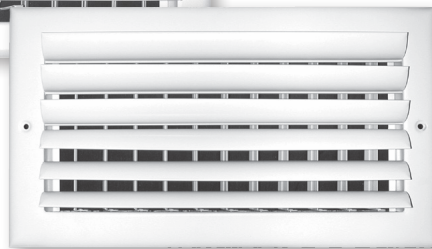
High-quality Aluminum Components

Reverse side shown with Multi-shutter damper



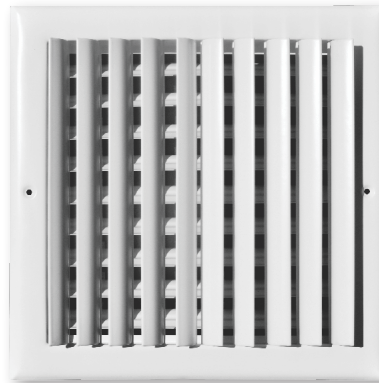
Model A301HM

Curved Blade: 1-Way Horizontal



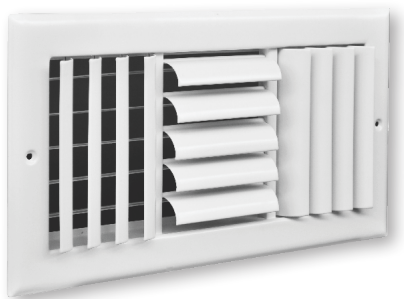
Model A302HM

Curved Blade: 2-Way Horizontal



Model A302M

Curved Blade: 2-Way Vertical



Model A303M

Curved Blade: 3-Way



Model A304M

Curved Blade: 4-Way



Precision and function for everyday living

A400 SERIES

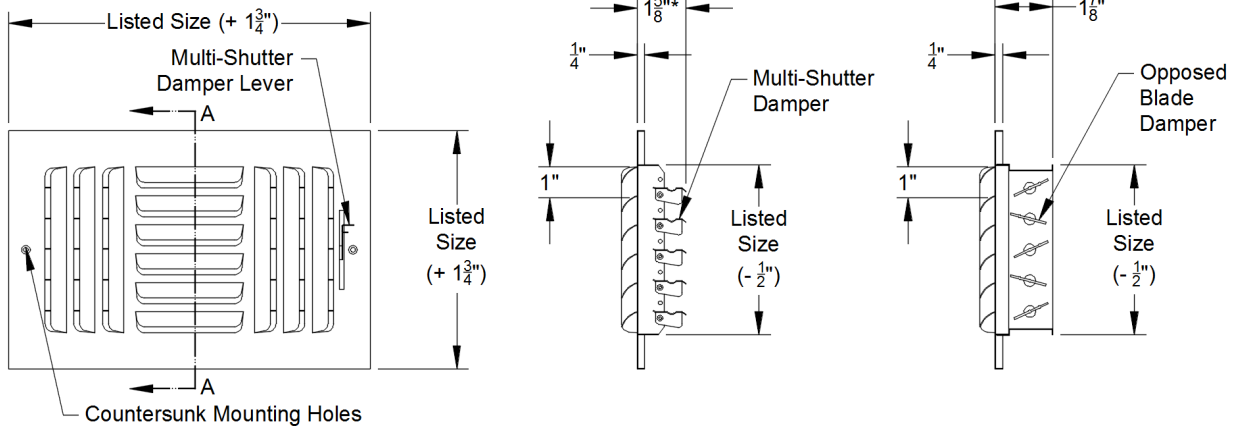


Detail view of damper lever



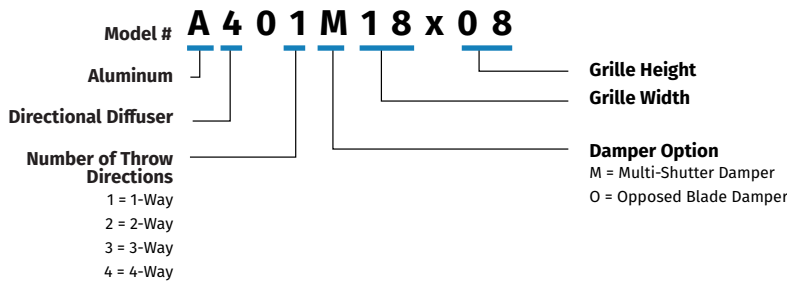
Stamped curved blade detail

Model A400



403M Shown; all dimensions are typical for all 400/450/460 series

Model Number Specifications



Available throw patterns:

- 1-Way
- 2-Way Parallel
- 3-Way
- 4-Way
- 2-Way Corner



SIDEWALL/CEILING SUPPLY REGISTERS

A400 Series Aluminum Stamped Curved Blade Register

Model	Description
A401M	Stamped Curved Blade 1-Way Horizontal
A402M	Stamped Curved Blade 2-Way Horizontal
A402VM	Stamped Curved Blade 2-Way Vertical
A403M	Stamped Curved Blade 3-Way
A404M	Stamped Curved Blade 4-Way

FEATURES

- Aluminum construction
- Countersunk screw holes
- Curved blade face
- SmoothGlide™ multi-shutter damper
- Pristine powder coat finish
- Cost effective
- Optional opposed blade damper

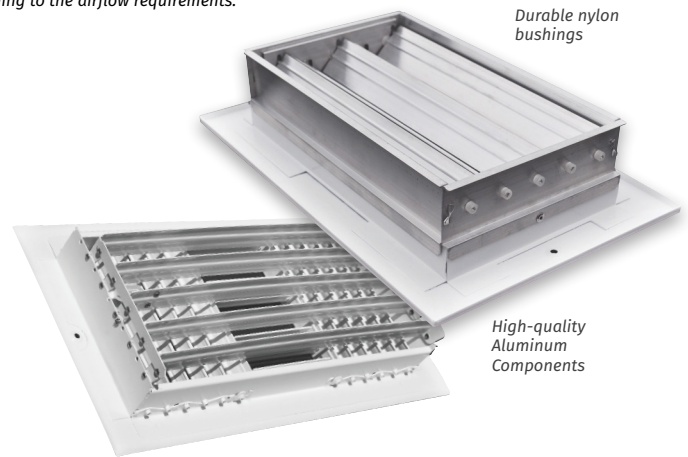
Application • Sidewalls or Ceilings

Recommended for • Residential applications

A400 Series Options

Opposed Blade Damper (OBD)

Top-notch craftsmanship includes nylon bushings to ensure the aluminum blades stay in place according to the airflow requirements.



Durable nylon bushings

High-quality Aluminum Components

Reverse side shown with Multi-shutter damper

Model A401M

Stamped Curved Blade: 1-Way Horizontal



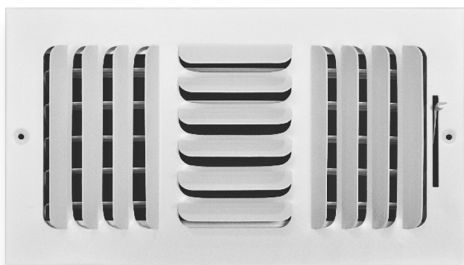
Model A402M

Stamped Curved Blade: 2-Way Horizontal



Model A403M

Stamped Curved Blade: 3-Way



Model A404M

Curved Blade: 4-Way



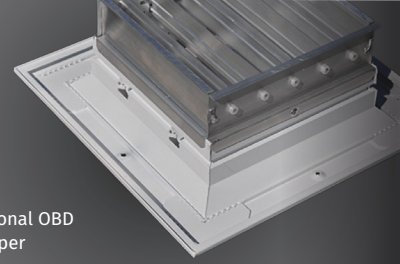
A500 SERIES

Precision and function for everyday living

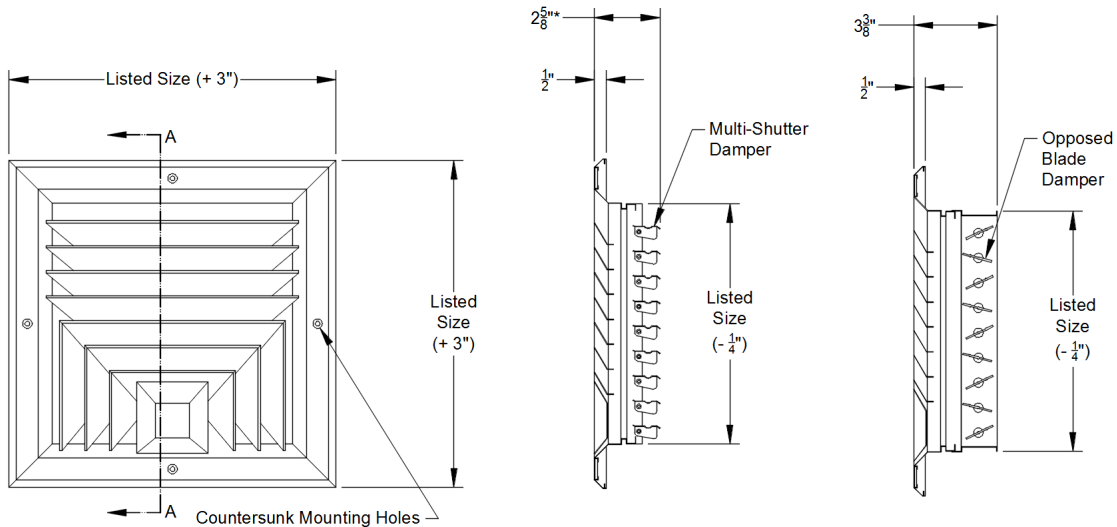
Mitered frame corner



Optional OBD damper

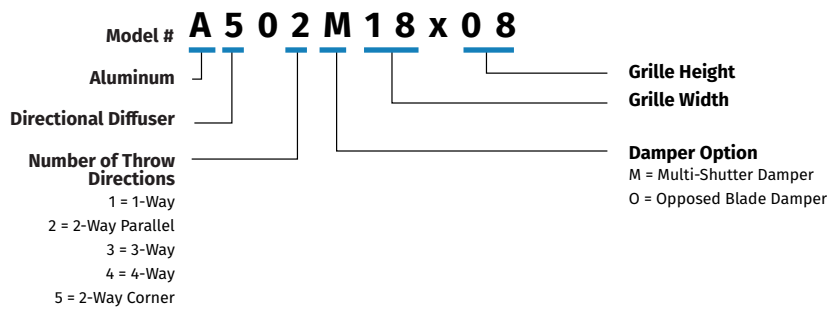


Model A500



A503M shown; all dimensions are typical

Model Number Specifications



Available throw patterns:

- 1-Way Down
- 2-Way Horizontal
- 2-Way Corner
- 3-Way
- 4-Way



SIDEWALL/CEILING SUPPLY DIFFUSER

A500 Series Aluminum Direction Diffuser

Model	Description
A501M	Ceiling Diffuser 1-Way
A502M	Ceiling Diffuser 2-Way Parallel
A503M	Ceiling Diffuser 3-Way
A504M	Ceiling Diffuser 4-Way
A505M	Ceiling Diffuser 2-Way Corner

FEATURES

- Extruded aluminum construction
- Mitered corners
- Countersunk screw holes
- Five air patterns
- SmoothGlide™ multi-shutter damper
- Pristine white powder coat finish
- Optional opposed blade damper

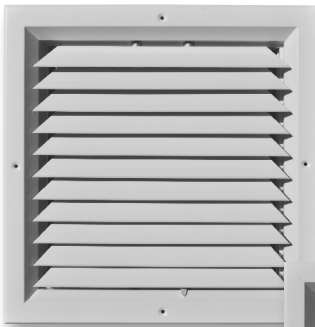
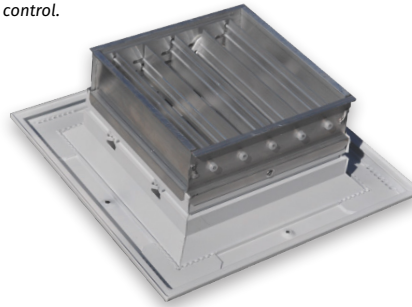
Application • Sidewalls or Ceilings

Recommended for • Residential applications

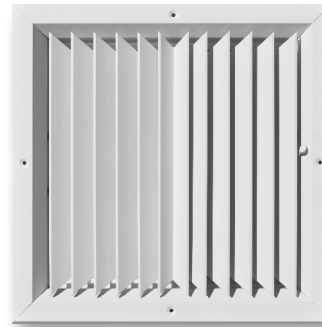
A500 Series Options

Opposed Blade Damper (O)

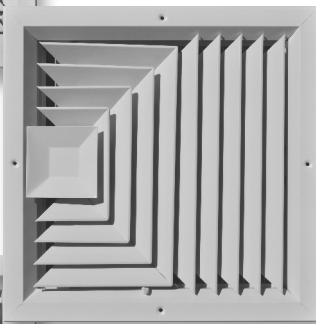
Our top of the line OBD Damper for the ultimate in air control.



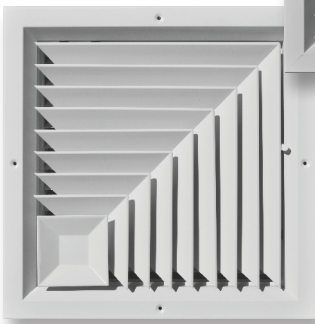
Model A501M
Ceiling Diffuser: 1-Way



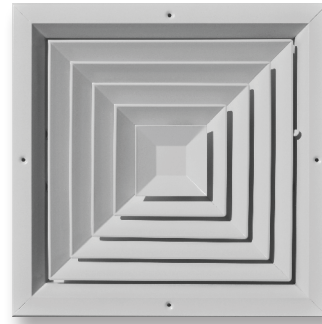
Model A502M
Ceiling Diffuser: 2-Way Parallel



Model A503M
Ceiling Diffuser: 3-Way



Model A505M
Ceiling Diffuser: 2-Way Corner

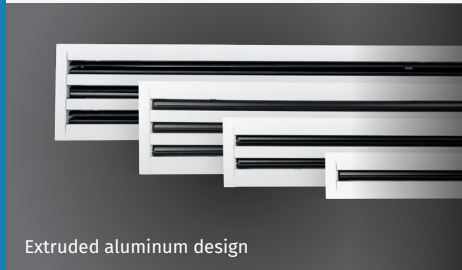


Model A504M
Ceiling Diffuser: 4-Way

TRUaire

LD / LDR SERIES

Precision and function for everyday living

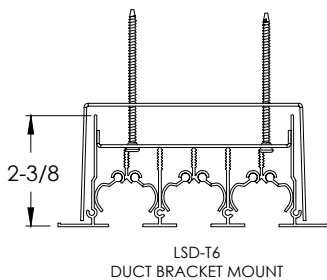
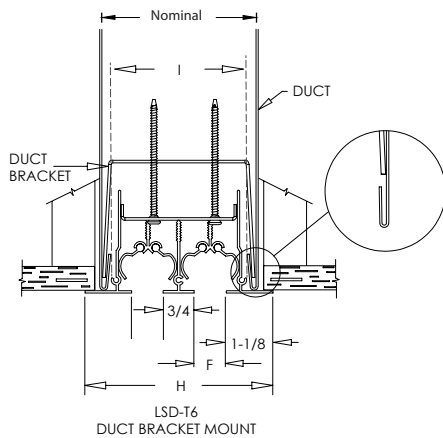
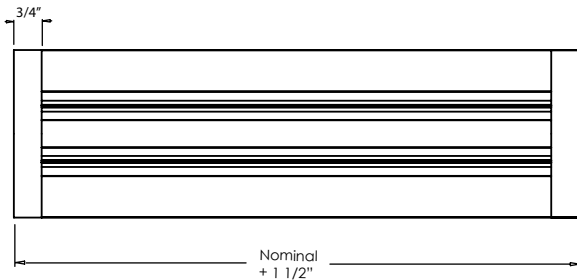


Extruded aluminum design



180° deflection

Model LD / LDR



# of Slots	Dimensions (inches)		
	Slot Width (F)	Overall Width (H)	Width of Back (I)
1	1/2	2 3/4	1 1/2
	3/4	3	1 3/4
	1	3 1/4	2
2	1/2	4	2 3/4
	3/4	4 1/2	3 1/4
3	1	5	3 3/4
	1/2	5 1/4	4
4	3/4	6	5 1/2
	1	6 3/4	5 1/2
5	1/2	6 1/2	5 1/4
	3/4	7 1/2	6 1/4
6	1	8 1/2	7 1/4
	1/2	7 3/4	6 1/2
7	3/4	9	7 3/4
	1	10 1/4	9
8	1/2	9	7 3/4
	3/4	10 1/2	9 1/4
9	1	12	10 3/4
	1/2	10 1/4	9
10	3/4	12	10 3/4
	1	13 3/4	12 1/2
11	1/2	11 1/2	10 1/4
	3/4	13 1/2	12 1/4
12	1	15 1/2	14 1/4



SIDEWALL/CEILING DIFFUSERS

LD / LDR Series

Linear Slot Diffusers

Model	Stocking Sizes
LD12B2	12" Supply ¾" (2-Slot)
LD12C2	12" Supply 1" (2-Slot)
LD18B2	18" Supply ¾" (2-Slot)
LD20C2	20" Supply ¾" (2-Slot)
LD22B2	22" Supply ¾" (2-Slot)
LD24A2	24" Supply ½" (2-Slot)
LD24B1	24" Supply ½" (1-Slot)
LD24B2	24" Supply ¾" (2-Slot)
LD24B3	24" Supply ¾" (3-Slot)
LD24C1	24" Supply 1" (1-Slot)
LD24C2	24" Supply 1" (2-Slot)
LD36A2	36" Supply ½" (2-Slot)
LD36B1	36" Supply ¾" (1-Slot)
LD36B2	36" Supply ¾" (2-Slot)
LD36B3	36" Supply ¾" (3-Slot)
LD36C1	36" Supply 1" (1-Slot)
LD36C2	36" Supply 1" (2-Slot)
LD48A2	48" Supply ½" (2-Slot)
LD48B1	48" Supply ¾" (1-Slot)
LD48B2	48" Supply ¾" (2-Slot)
LD48B3	48" Supply ¾" (3-Slot)
LD48C1	48" Supply 1" (1-Slot)
LD48C2	48" Supply 1" (2-Slot)
LD48C3	48" Supply 1" (3-Slot)
LD60B2	60" Supply ¾" (2-Slot)
LD60C1	60" Supply 1" (1-Slot)
LD60C2	60" Supply 1" (2-Slot)
LD72C2	72" Supply 1" (2-Slot)

CUSTOM SIZES ALSO AVAILABLE

FEATURES

- Extruded aluminum construction
- ½", ¾", and 1" slot widths
- 1 to 8 slots available
- Supply or return; Returns have pattern deflectors omitted
- 6 foot maximum one-piece construction
- Custom lengths/configurations, see Shoemaker LSD model
- Pristine white powder coat finish

Application • Sidewalls or Commercial ceilings

Recommended for • Residential applications



Model LD1

1 Slot Linear Diffuser



Model LD2

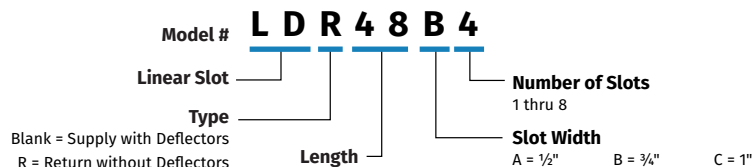
2 Slot Linear Diffuser



Model LD3

3 Slot Linear Diffuser

Model Number Specifications



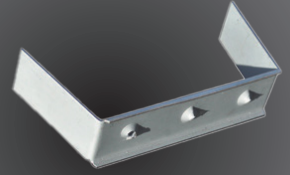


LB SERIES

Precision and function for everyday living

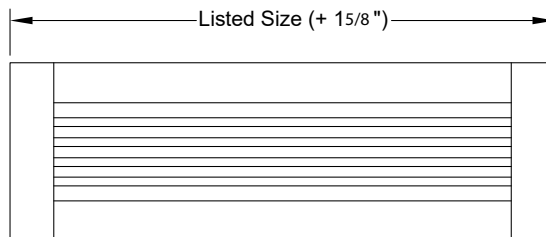
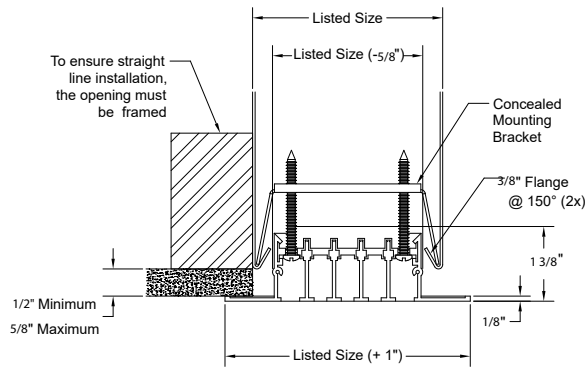


Linear bar diffuser



Concealed mounting bracket

Specifications LB Series





SIDEWALL/CEILING DIFFUSERS

LB Series

Linear Bar Diffusers

Description

Linear Bar Diffuser – 1/4" Bar, 1/2" Spacing

FEATURES

- Extruded aluminum construction
- Available in 2", 2-1/2", 3", 3-1/2", 4", 5", and 6" Widths
- Minimum length is 12"
- Maximum length is 72"
- Available in 12" increments in length
- Concealed mounting brackets
- Pristine white powder coat finish

Application • Sidewalls or Ceilings

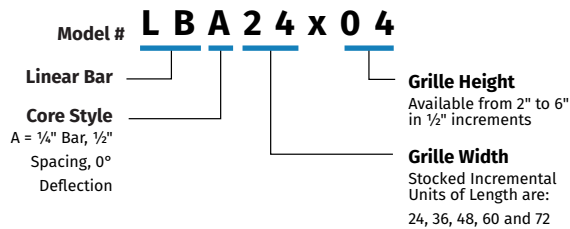
Recommended for • Residential or Commercial applications



Model LB

Linear Bar Diffuser – 1/4" Bar, 1/2" Spacing

Model Number Specifications





115 / 118 / 120 SERIES

Precision and function for everyday living

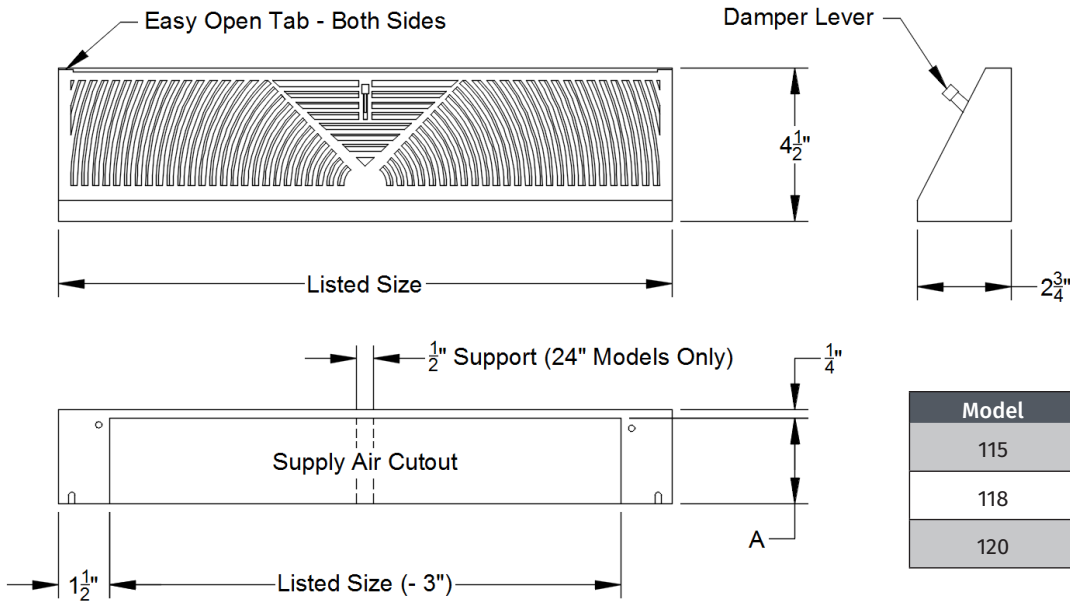
Detail view of sunburst fin design



Easy-open tab face

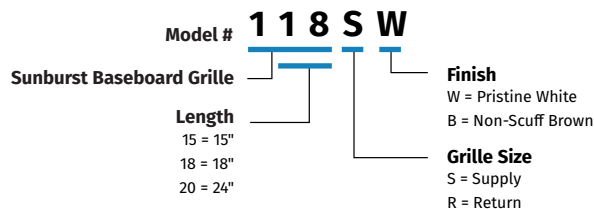


Model 115 / 118 / 120



Model	Dimensions A
115	2 1/2"
118	2 1/2"
120	2 1/4"

Model Number Specifications





FLOOR AND BASEBOARD DIFFUSERS

115 / 118 / 120 Series

Steel Baseboard Sunburst Diffuser

Model	Description
115S	15" Supply
115R	15" Return
118S	18" Supply
118R	18" Return
120S	24" Supply
120R	24" Return

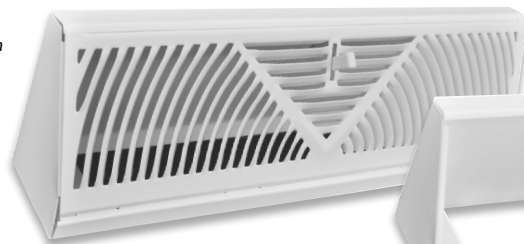
Application • Baseboard

Recommended for • Residential applications

FEATURES

- Steel construction
- Available in sunburst blade pattern
- Supply register furnished with SmoothGlide™ dampers
- Available in either non-scuff textured brown or pristine white powder coat finish

*Sunburst
fin design*



Model 115SW Supply

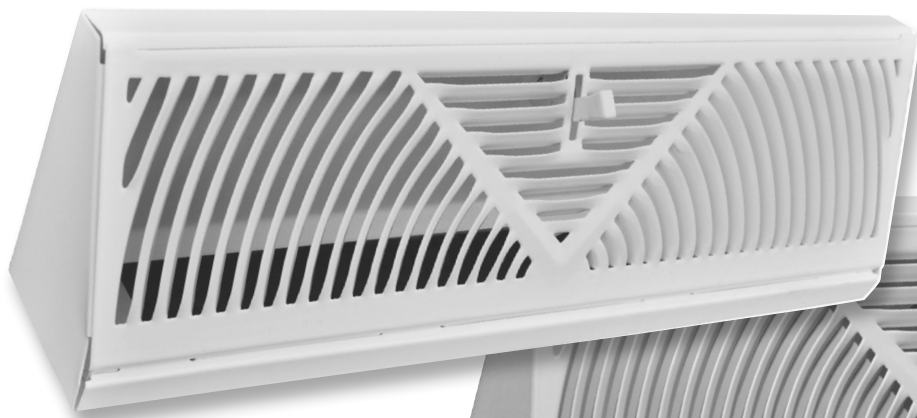
15" Shown - Also available in 18" & 24"



*Easy-Open
Tab Face*

*Shown in
OPEN position*

SUPPLY
15" Shown



RETURN
15" Shown

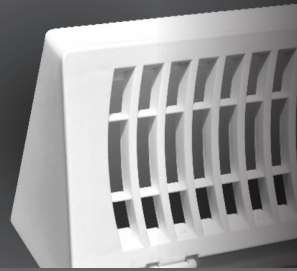




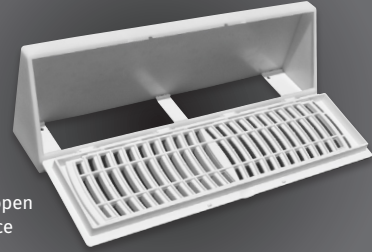
DESIGNER BASEBOARDS

Precision and function for everyday living

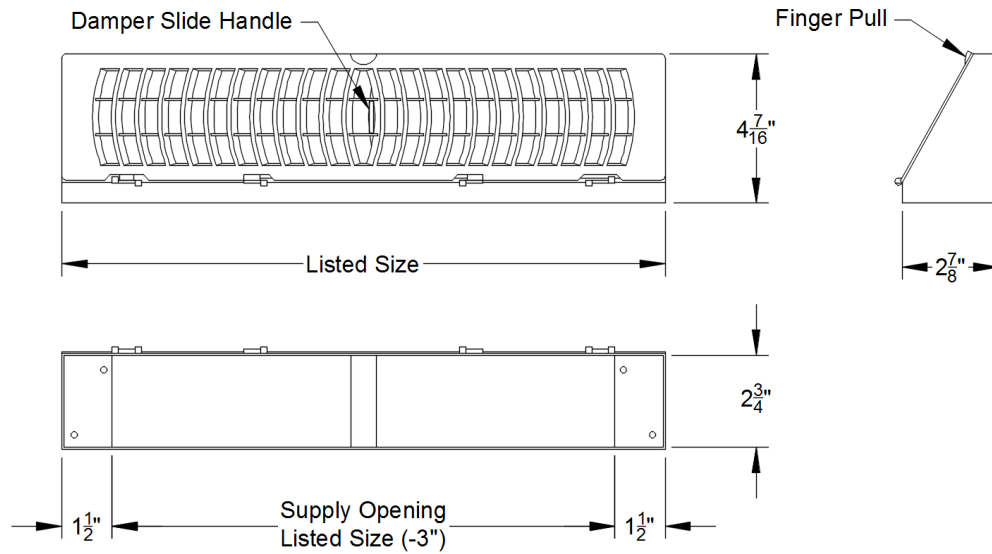
Resin composite available in 2 finishes



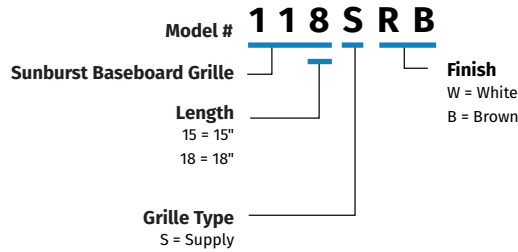
Easy-open tab face



Model 115SP & 118SP



Model Number Specifications





FLOOR AND BASEBOARD DIFFUSERS

Designer Baseboard Series

Steel & Composite Designer Baseboard Diffuser

Model	Description
115SP	15" Supply
118SP	18" Supply

FEATURES

- Resin composite construction
- Easy-opening tab face

Application • Baseboard

Recommended for • Residential applications

Available Finishes:

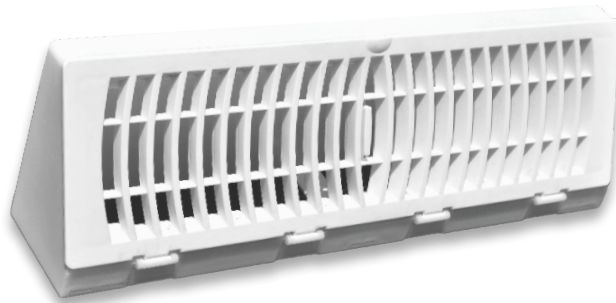


B Brown Finish

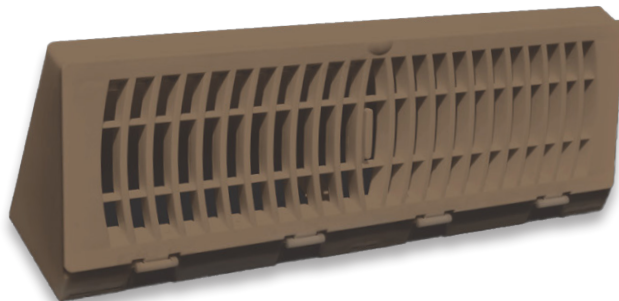
W White Finish



Shown in OPEN position



Resin Composite Baseboard White Finish



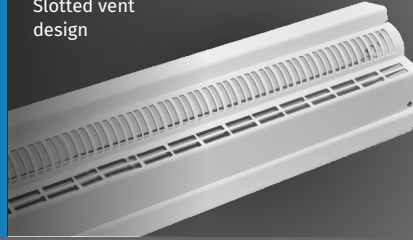
Resin Composite Baseboard Brown Finish



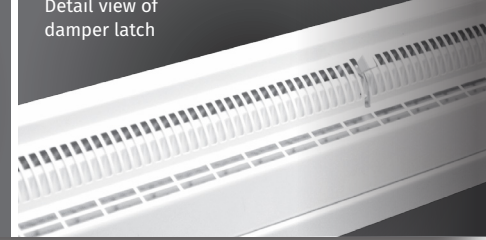
121S SERIES

Precision and function for everyday living

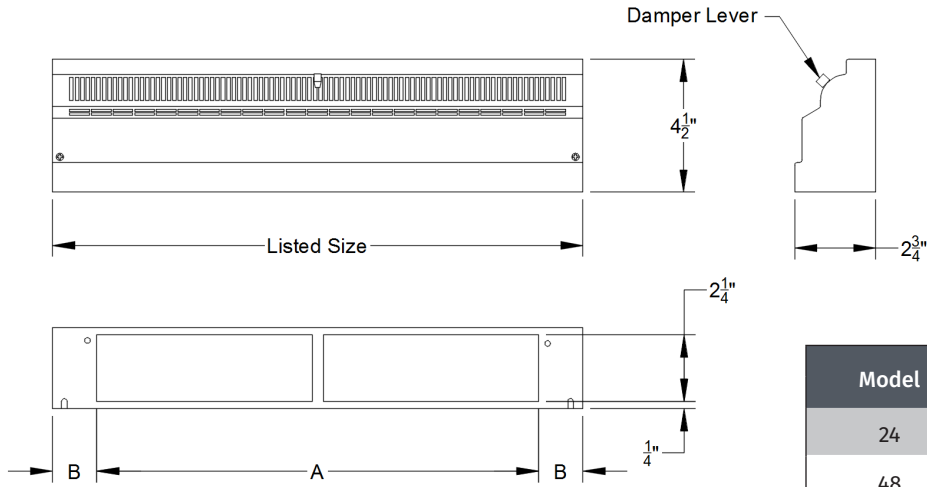
Slotted vent design



Detail view of damper latch

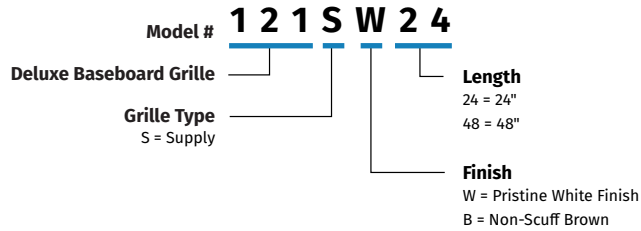


Model 121S



Model	Dimensions	
	"A"	"B"
24	16"	4"
48	24"	12"

Model Number Specifications





FLOOR AND BASEBOARD REGISTERS

121S Series Steel Deluxe Baseboard Register

Model	Description
121SW24	24" Deluxe Baseboard Diffuser
121SW48	48" Deluxe Baseboard Diffuser

FEATURES

- Steel construction
- Available in 24" and 48" lengths
- Supply register furnished with dampers
- Available in either non-scuff textured brown or pristine white powder coat finish

Application • Baseboard

Recommended for • Residential applications

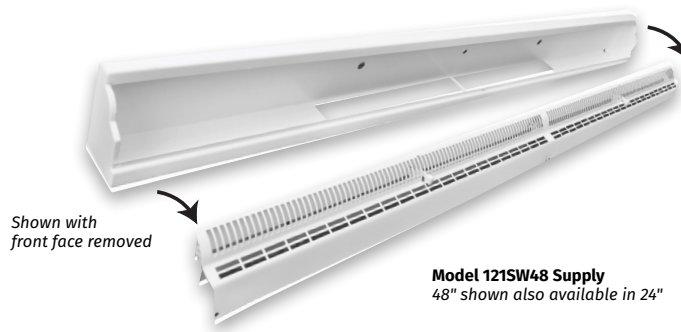
Available Finishes:



B Non-Scuff
Brown Finish

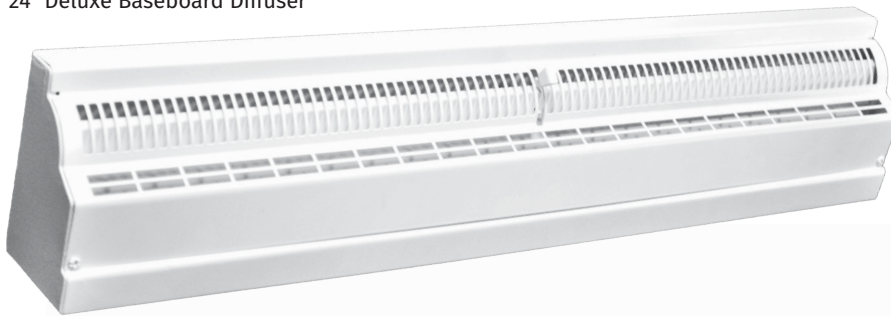


W Pristine White
Finish



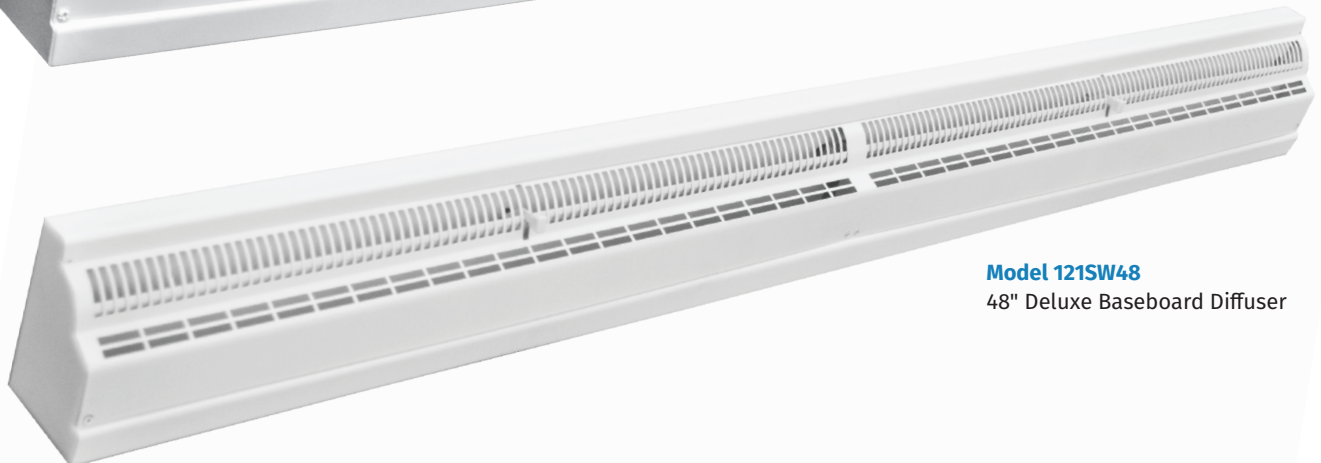
Model 121SW24

24" Deluxe Baseboard Diffuser



Model 121SW48

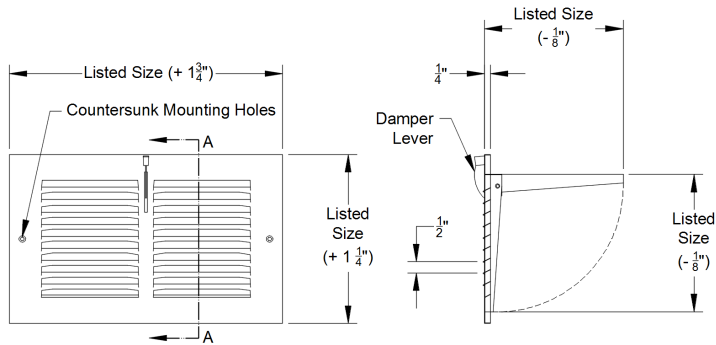
48" Deluxe Baseboard Diffuser



Center damper lever

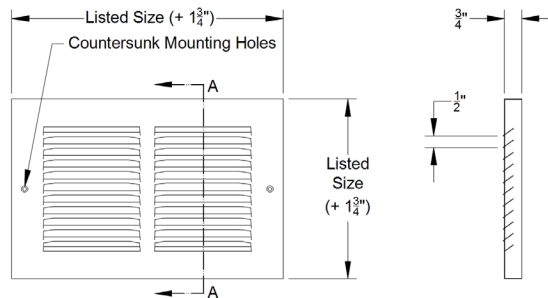


Model 122SD / 123SD



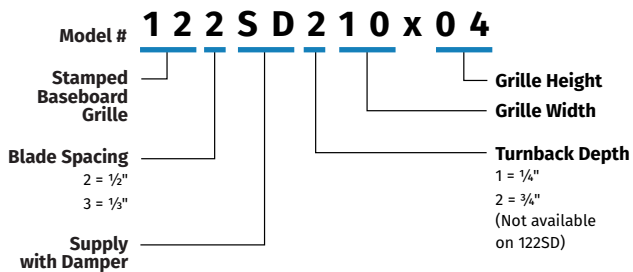
Dimensions A	
1	1/2"
2	3/4"

Model 122R / 123R

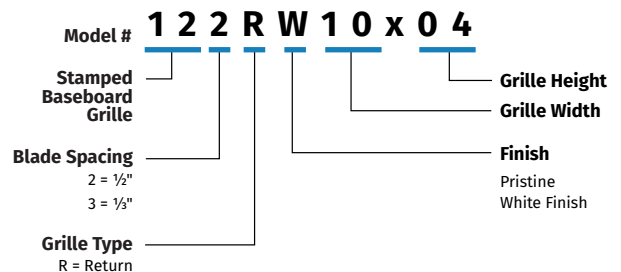


Model Number Specifications

SUPPLY



RETURN





FLOOR AND BASEBOARD GRILLES & REGISTERS

122 / 123 Series

Steel Baseboard Grille 1/4" & 3/4" Turn Back

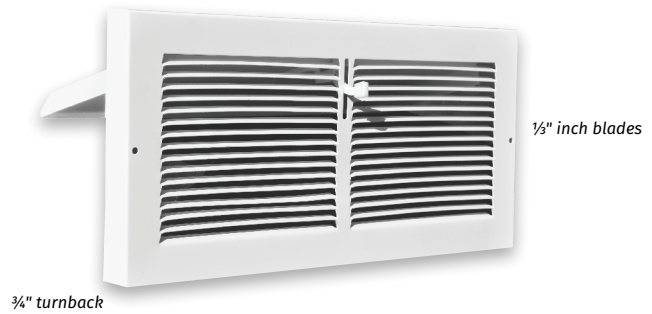
Model	Description
122SD	1-Way - 1/2" Spaced Blade - 1/4" Turnback
123SD1	1-Way - 1/3" Spaced Blade - 1/4" Turnback
123SD2	1-Way - 1/3" Spaced Blade - 3/4" Turnback
122RW	1-Way - 1/2" Spaced Blade - 3/4" Turnback
123RW	1-Way - 1/3" Spaced Blade - 3/4" Turnback

FEATURES

- Steel construction
- Available in 1/2" and 1/3" blade spacing
- Countersunk screw holes
- Supply register furnished with SmoothGlide™ damper
- Pristine white powder coat finish
- Cost effective

Application • Baseboard or Sidewall

Recommended for • Residential applications



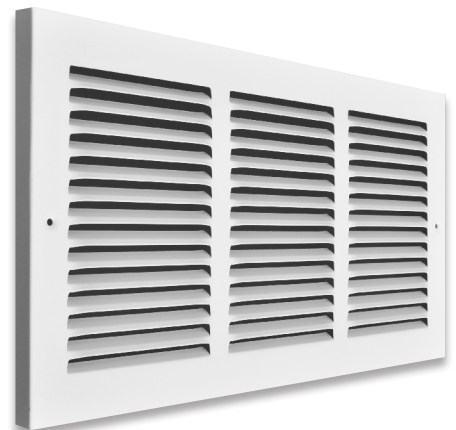
Model 123SD1

1-Way: 1/3" Spaced Blade 1/4" Turnback



Model 122RW

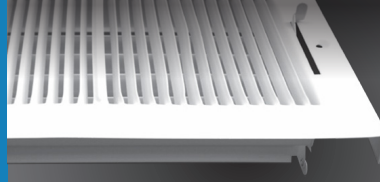
1-Way: 1/2" Spaced Blade 3/4" Turnback





123M / 124M / 125T SERIES

Precision and function for everyday living

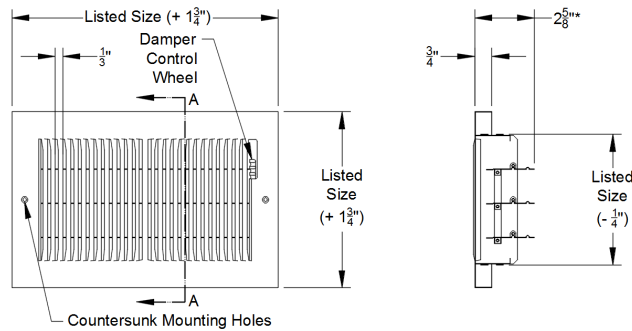


SmoothGlide™ damper linkage and rivets

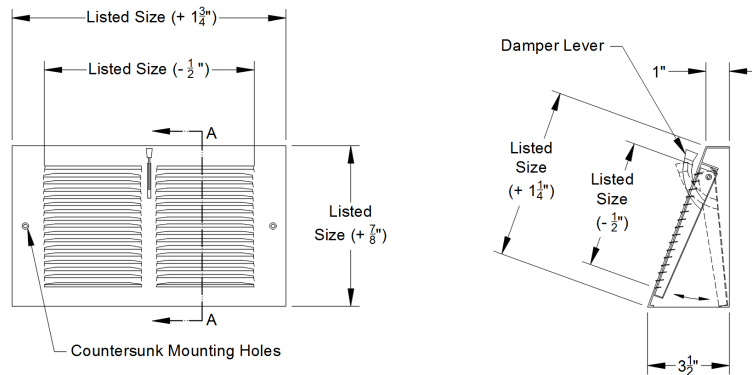


1/3" blade spacing

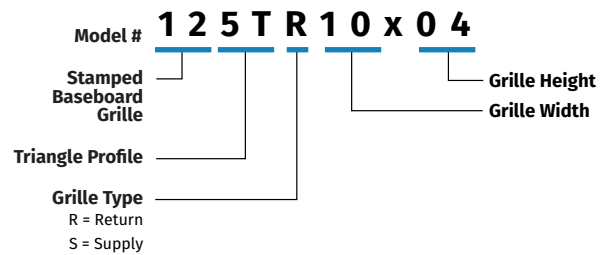
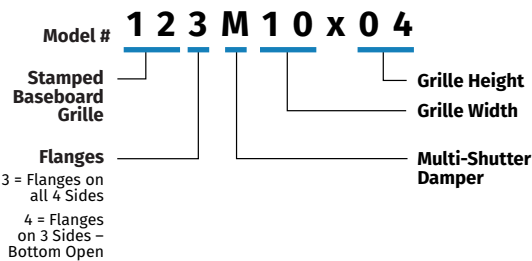
Model 123M / 124M



Model 125T



Model Number Specifications





FLOOR AND BASEBOARD GRILLES & REGISTERS

123M / 124M / 125T Series

1/3" Spaced Blade Baseboard Registers

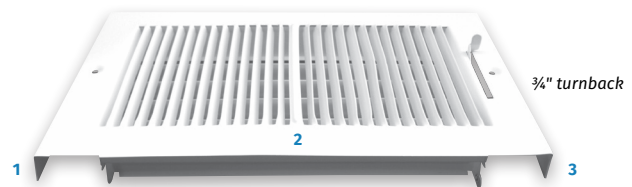
Model	Description
123M	2-Way – 1/3" Spaced Blade – 3/4" Turnback
124M	Sidewall Supply – Bottom Open – 3/4" Turnback
125TS	Single Damper – Supply 1/3" Blade Spacing
125TR	No Damper – Return 1/3" Blade Spacing

FEATURES

- Steel construction
- Available in 1/3" blade spacing
- Countersunk screw holes
- Supply register furnished with SmoothGlide™ dampers
- Pristine white powder coat finish

Application • Baseboard

Recommended for • Residential applications

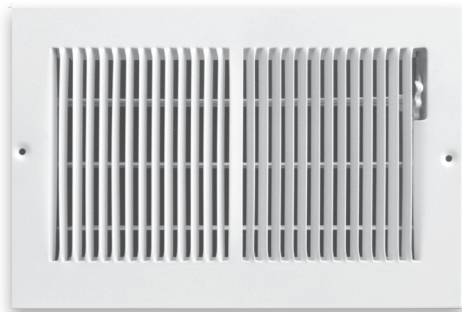


Model 124M

Three-sided for specific floor installations - Without a fourth turnback side on bottom

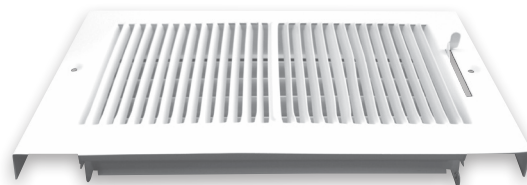
Model 123M

2-Way: 1/3" Spaced Blade 3/4" Turnback



Model 124M

Sidewall Supply – Bottom Open – 3/4" Turnback



Model 125TS

Single Damper – Supply 1/3" Blade Spacing



Model 125TR

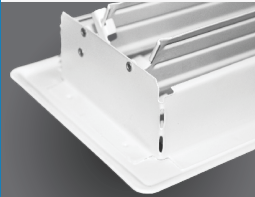
No Damper – Return 1/3" Blade Spacing



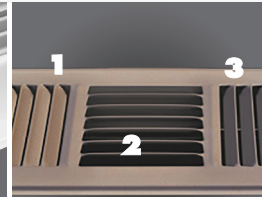


150 SERIES

Precision and function for everyday living

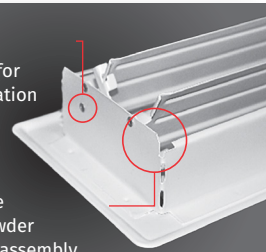


Smoothglide™ damper Linkage and rivets



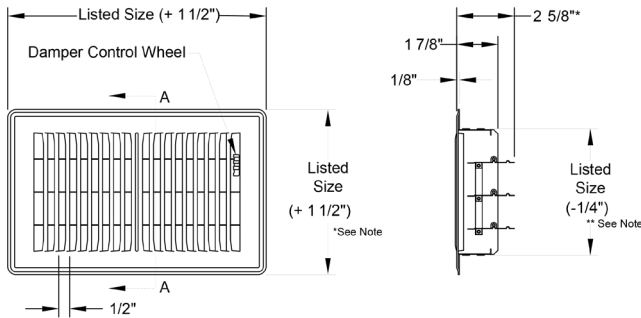
Revolutionary, new three-way floor register

Durable rivets installed AFTER powder coating for smoothest operation

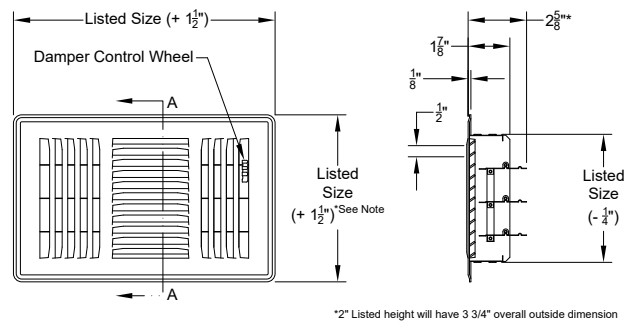


Blade & linkage components are individually powder coated BEFORE assembly

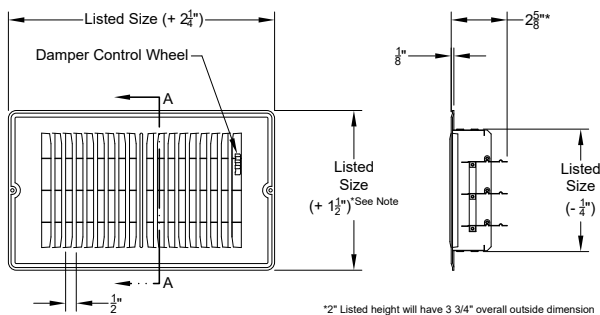
Model 150M



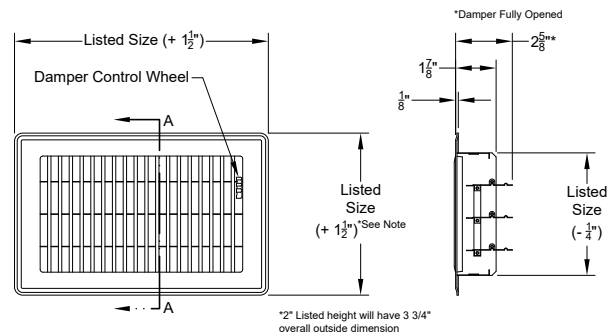
Model 153M



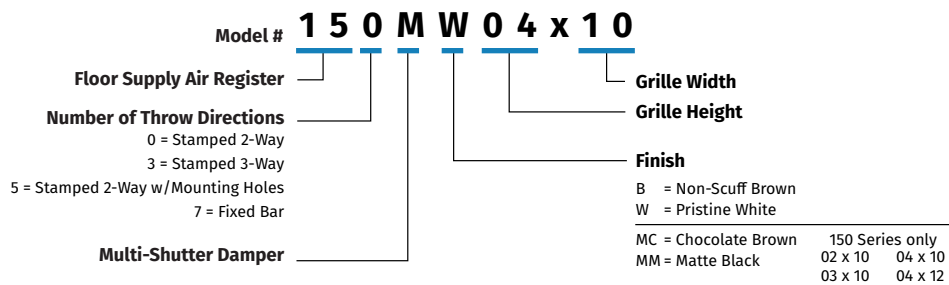
Model 155M



Model 157M



Model Number Specifications





FLOOR AND BASEBOARD REGISTERS

150 Series

Steel Floor Registers

Model	Description
150M	2-Way Floor Register
153M	3-Way Floor Register
155M	Mobile Home Floor Register
157M	Deluxe Floor Register

FEATURES

- Steel construction
- Countersunk screw holes and wider frame on Model 155M
- One-piece frame
- SmoothGlide™ multi-shutter damper
- Foot-operated wheel control
- Available in either non-scuff textured brown or pristine white powder coat finish
- Individually welded blades, set at gradually greater angles for better air dispersion on Model 157M

Application • Floor

Recommended for • Residential applications

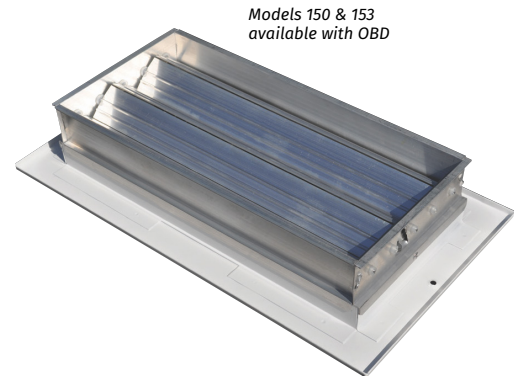
Available Finishes:



B Non-Scuff
Brown Finish



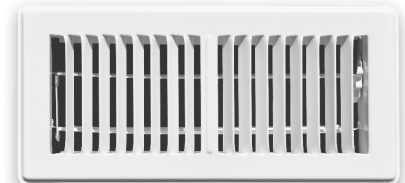
W Pristine
White Finish



Models 150 & 153
available with OBD



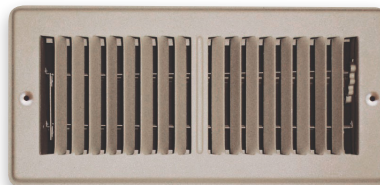
Model 150MB
2-Way – Brown Finish



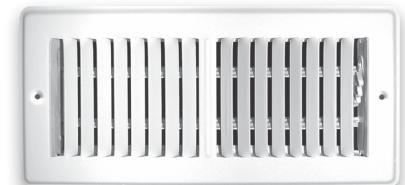
Model 150MW
2-Way – White Finish



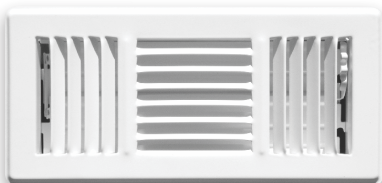
Model 153MB
3-Way – Brown Finish



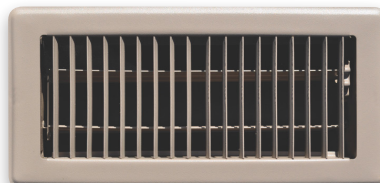
Model 155MM
Mobile Home



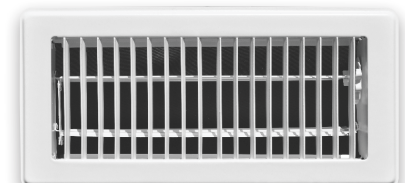
Model 155MW
Mobile Home



Model 153MW
3-Way – White Finish



Model 157MB
Deluxe – Brown Finish

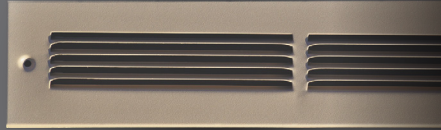


Model 157MW
Deluxe – White Finish

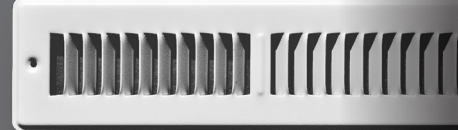


TS SERIES

Precision and function for everyday living

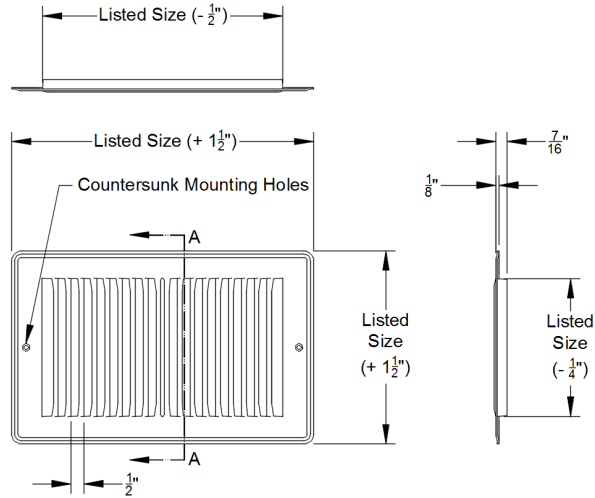


1/3" blade spacing on 173TS Models

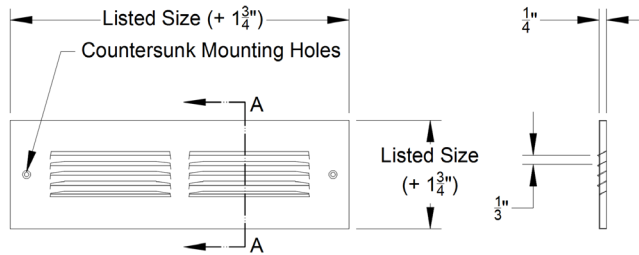


1/2" blade spacing on 150TS Models

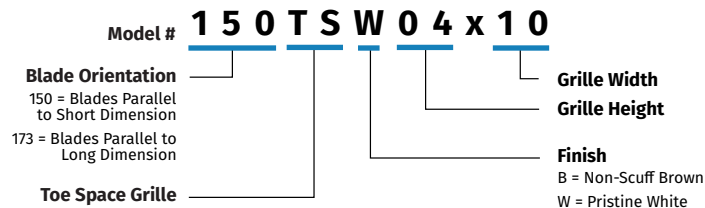
Model 150TS



Model 173TS



Model Number Specifications





FLOOR AND BASEBOARD GRILLES

TS Series

Steel Toe Space Grilles

Model	Description
150TS	1/2" Toe Space Grille
173TS	1/3" Toe Space Grille

FEATURES

- Steel construction
- Countersunk screw holes
- Available in non-scuff brown or pristine white powder coat

Application • Toe space

Recommended for • Residential applications

Available Finishes:



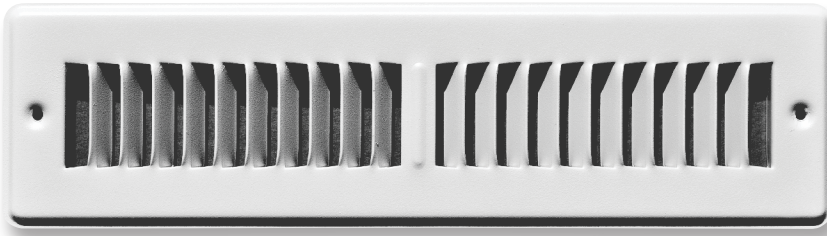
B Non-Scuff Brown Finish



W Pristine White Finish

Model 150TSW

Grille – White Finish



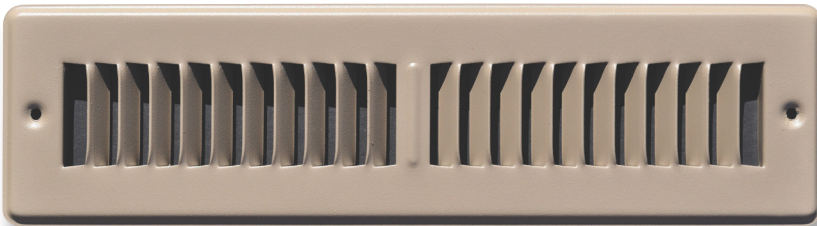
Model 173TSW

Grille – White Finish



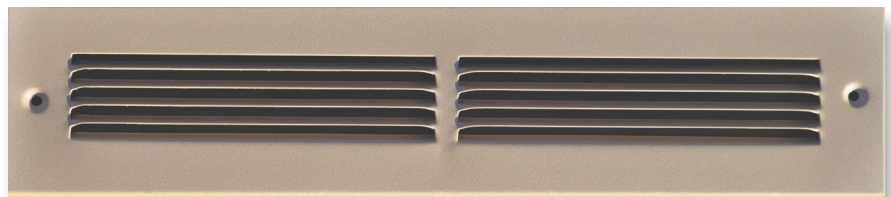
Model 150TSB

Grille – Brown Finish



Model 173TSB

Grille – Brown Finish



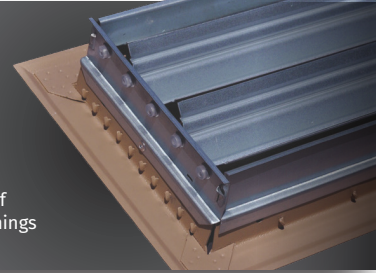


154 SERIES

Precision and function for everyday living

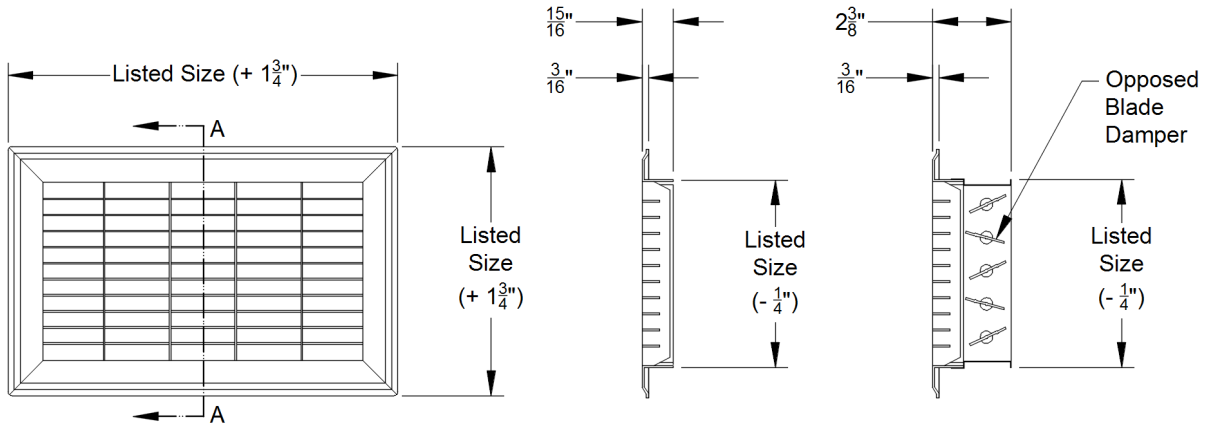


Reinforced for extra strength & durability

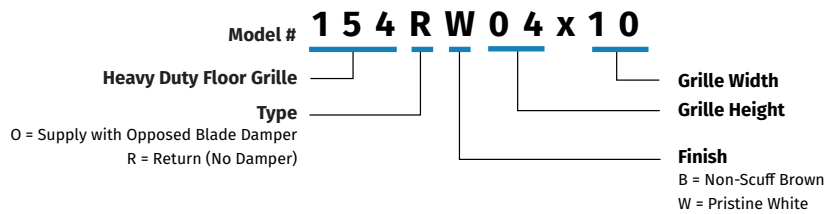


Detail view of durable bushings on OBD

Model 154



Model Number Specifications





FLOOR AND BASEBOARD GRILLES & REGISTERS

154 Series

Steel Heavy Duty Floor Grille/Register

Model	Description
154O	Supply Register with OBD Damper
154R	Return Grille

FEATURES

- Steel construction
- Aluminum opposed blade damper
- Non-scuff brown powder coat finish
- Averages over 75% open free area

Application • Floor

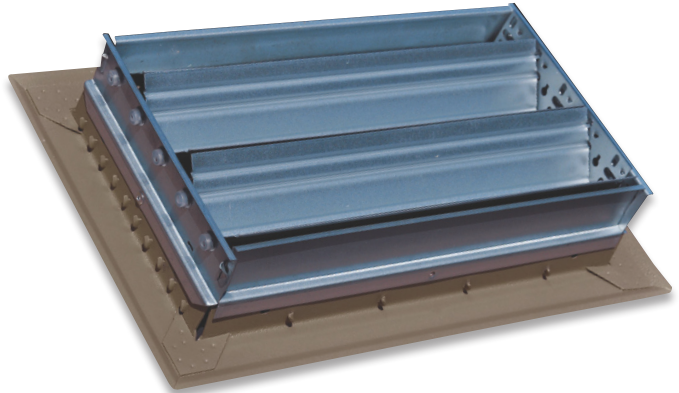
Recommended for • Residential applications

Available Finishes:



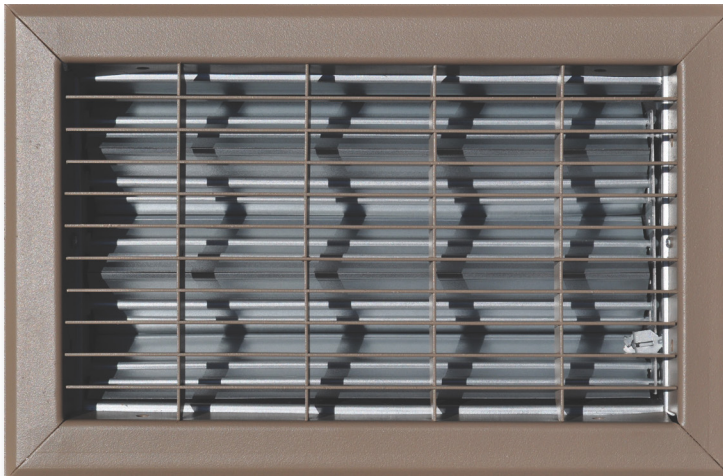
B Non-Scuff
Brown Finish

Model 154O
Heavy Duty with OBD Option
(Reverse side shown)



Model 154O

Supply Register with OBD Damper



Model 154R
Return Grille

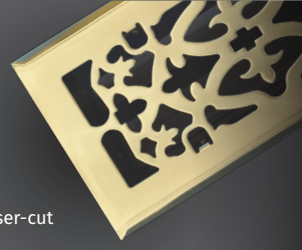




160 DESIGNER SERIES

Precision and function for everyday living

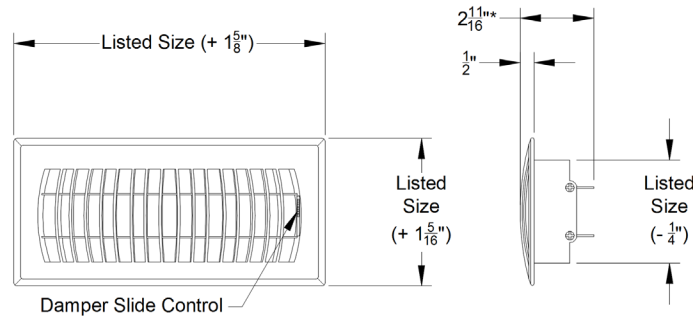
Durable, laser-cut decorative



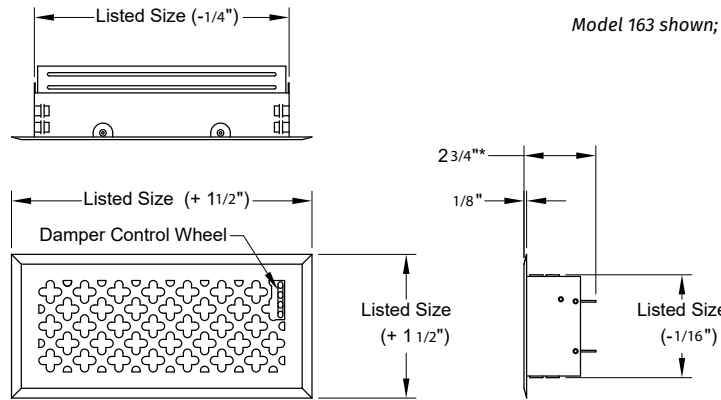
Steel construction



Model 160



Model 163/164/165/166/167

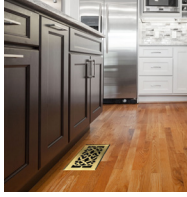


Model 163 shown; all dimensions are typical for steel models

Model Number Specifications

Model # **1 6 3 R A B 0 4 x 1 0**

Designer's Series	Grille Face	Finish	Grille Width	Grille Height
0M = Resin Composite	3R = Retro Couture	OB = Oil Rubbed Bronze	PB = Polished Brass	MB = Matte Black
4O = Ornamental Scroll	5C = Cosmopolitan	AB = Antique Brass	SN = Satin Nickel	
6V = Vintage Victorian	7M = Modern Contemporary	CP = Copper		



FLOOR AND BASEBOARD REGISTERS

160 Designer Series

Steel & Resin Decorative Floor Registers

Model	Description
160M	Resin Composite Collection
163R	Retro Couture Design
164O	Ornamental Scroll Design
165C	Cosmopolitan Design
166V	Vintage Victorian Design
167M	Modern Contemporary Design

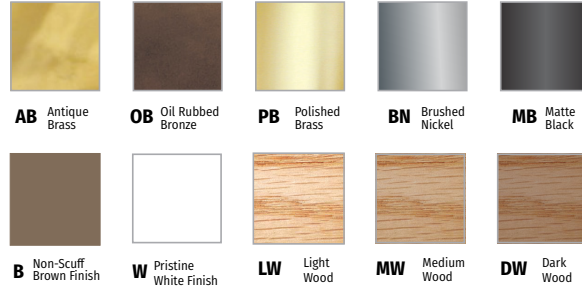
FEATURES

- Steel construction (excluding Model 160)
- Resin composite material (Model 160 only)
- SmoothGlide™ multi-shutter damper
- Five decorative designs
- Six designer finishes

Application • Floor

Recommended for • Residential applications

Available Finishes:



Model 163

Retro Couture Design



Copper

Model 164

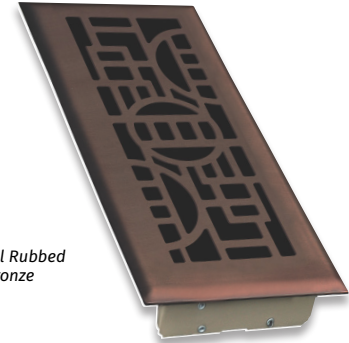
Ornamental Scroll Design



Polished
Brass

Model 165

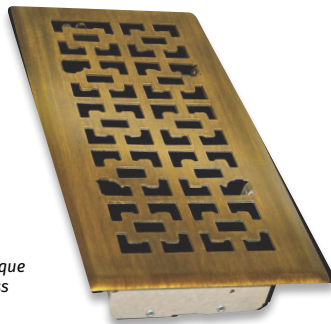
Cosmopolitan Design



Oil Rubbed
Bronze

Model 166

Vintage Victorian Design



Antique
Brass

Model 167

Modern Contemporary Design



Matte
Black



168 OAK SERIES

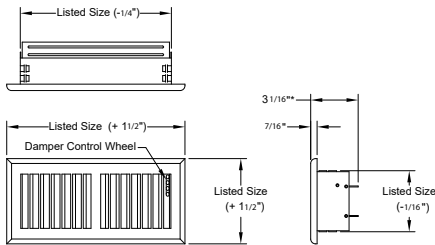
Precision and function for everyday living

Hand-assembled oak components

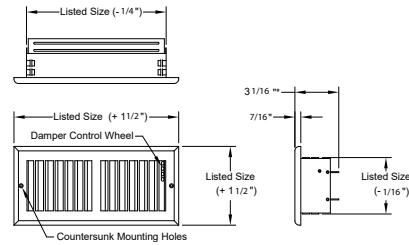
Made from solid wood and hand-stained



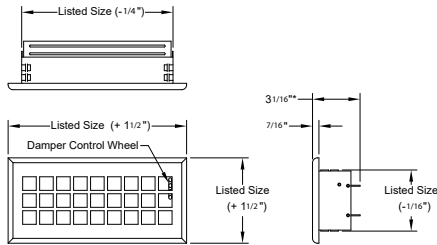
Model 168FL



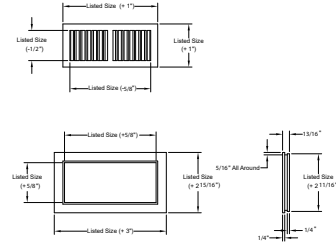
Model 168SW



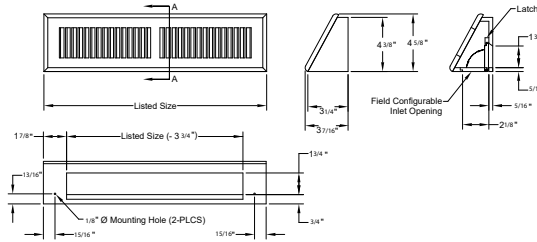
Model 168SQ



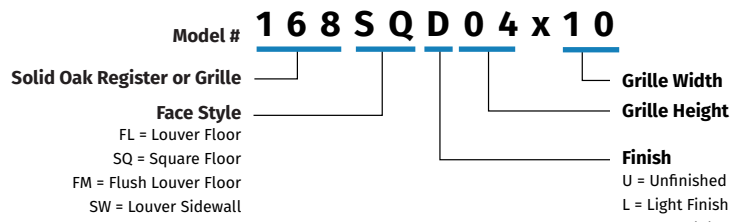
Model 168FM



Model 168BB



Model Number Specifications





FLOOR AND BASEBOARD GRILLES & REGISTERS

168 Solid Oak Series

Solid Oak Grilles & Registers

Model	Description
168FL	Solid Oak Floor
168SQ	Solid Oak Square Floor
168FM	Solid Oak Flush Mount
168SW	Solid Oak Sidewall
168BB	Solid Oak Baseboard

FEATURES

- Solid red oak face
- Choose from three designer finishes
- SmoothGlide™ multi-shutter damper

Application • Sidewall or floor

Recommended for • Residential applications

Solid Oak Finishes:



U Unfinished **L** Light Finish **D** Dark Finish

Model 168FL

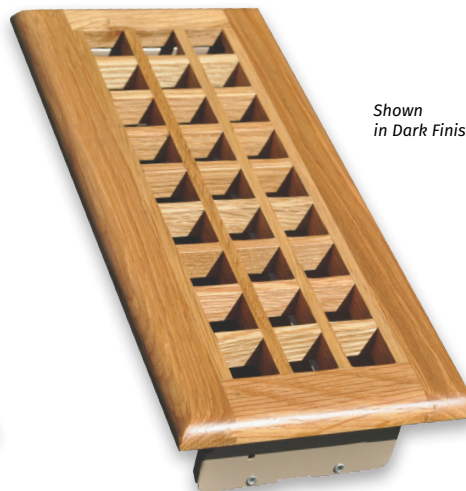
Solid Oak Floor



*Shown
in Light
Finish*

Model 168SQ

Solid Oak Square Floor



*Shown
in Dark
Finish*

Model 168SW

Solid Oak Sidewall



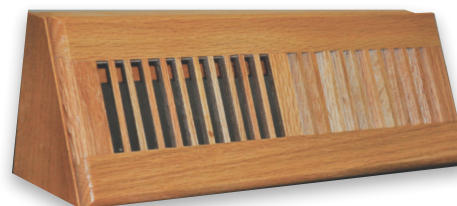
*Shown
Unfinished*

Model 168FM

Solid Oak
Flush Mount



*Shown
in Light
Finish*



Model 168BB

Solid Oak
Baseboard

Shown in Dark Finish



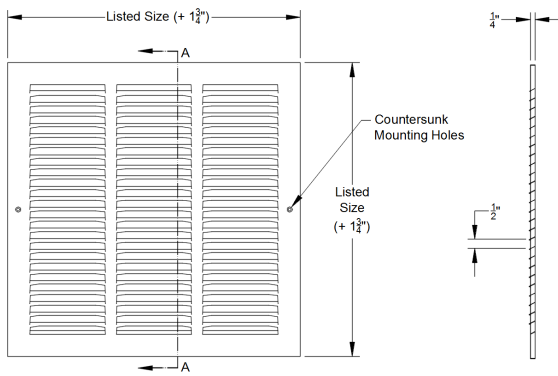
170 / 173 / 174 SERIES

Precision and function for everyday living

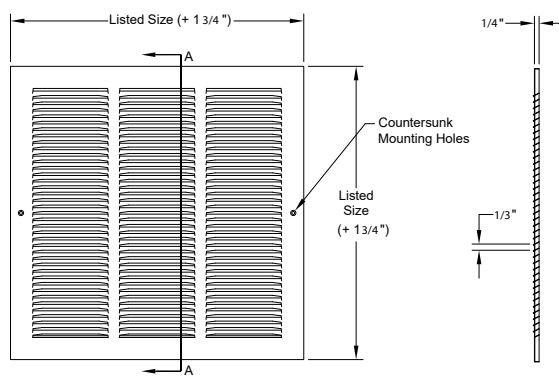
Available in
1/2" or 1/3" blade
spacing

Unique curved blade
design on Model 174

Model 170

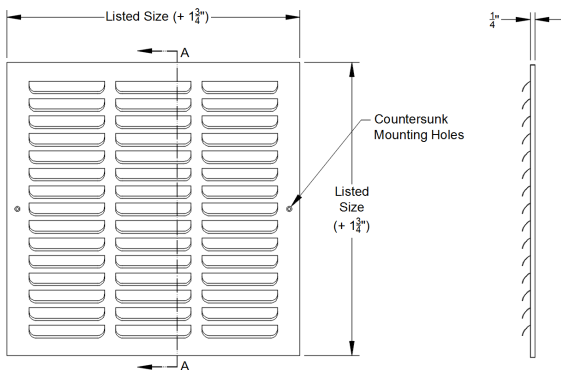


Model 173



Screw-hole placement varies according to typical industry standards

Model 174



Model Number Specifications

Model # **A 170 B L 18 x 0 8 4**

Material
Blank = Steel
A = Aluminum
(Model 170 Only)

**Stamped Return
Air Grille**

Blade Style
0 = Model 170
1/2" Blade Spacing
3 = Model 173
1/3" Blade Spacing
4 = Model 174
Curved Blade

Mounting Holes
Blank = Standard 2 Holes

4 = 4 Mounting Holes
Available for
Model 170 Sizes:
08 x 14 14 x 10
10 x 10 16 x 06
12 x 12

Grille Height

Grille Width

Finish

Blank = Pristine White
B = Non-Scuff Brown (Model 170 Only)
BL = Black (Model 170 Only)



SIDEWALL/CEILING GRILLES

170 / 173 / 174 Series

Steel Stamped Return Grilles

Model	Description
170	Stamped Grille 1/2" Blade Spacing
173	Stamped Grille 1/3" Blade Spacing
174	Stamped Grille Fixed Curved Blade

FEATURES

- Stamped steel construction
- Available in 1/2" and 1/3" blade spacing
- Countersunk screw holes
- Pristine white powder coat finish
- Optional non-scuff textured brown finish on 170 models
- Optional black finish on 170 models

Application • Sidewalls or Ceilings

Recommended for • Residential applications

Available Finishes:



B Non-Scuff
Brown Finish



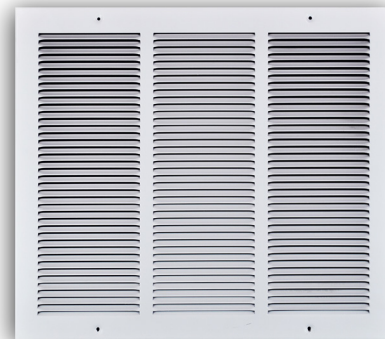
W Pristine White
Finish



BL Black Finish



Model 170
Stamped Grille 1/2" Blade Spacing



Model 173
Stamped Grille 1/3" Blade Spacing



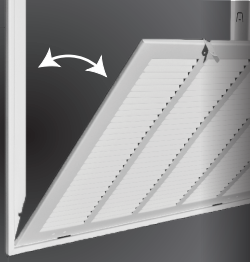
Model 174
Stamped Grille
Fixed Curved Blade



190 / 194 SERIES

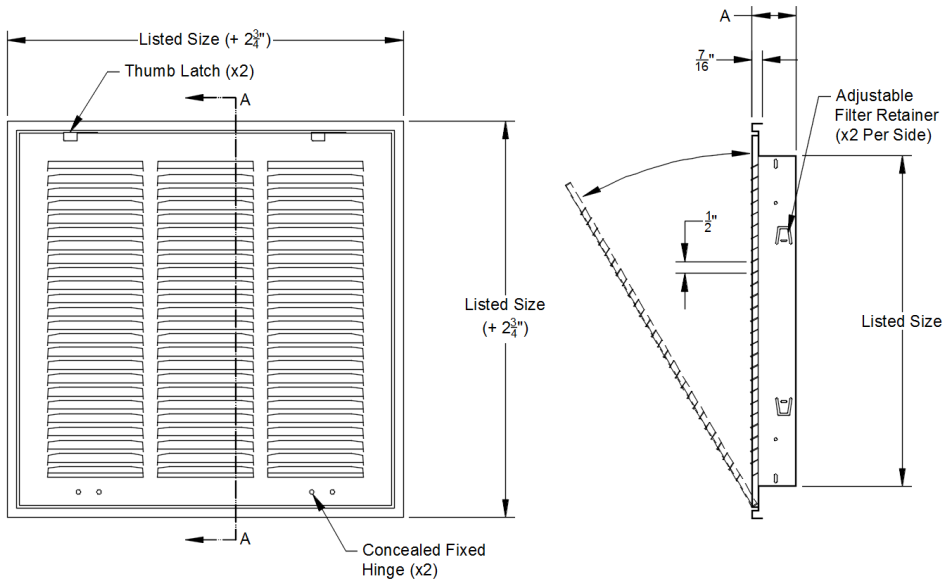
Precision and function for everyday living

Fixed face design suggested for sidewall applications



SmoothGlide™ latch for increased durability and ease of use

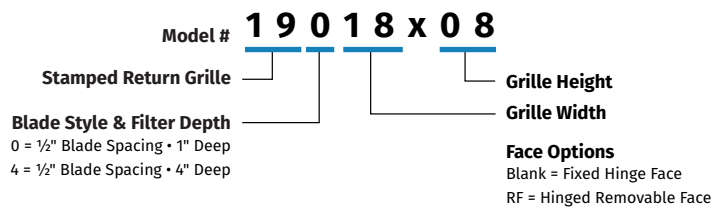
Model 190 / 194



Filter Depth	Dimensions A
1"	1 7/8"
4"	4 3/4"

NOTE: Filters are not included with return air filter grilles

Model Number Specifications





SIDEWALL/CEILING GRILLES

190 / 194 Series

Steel Stamped Louver Return Filter Grille – Fixed Hinge

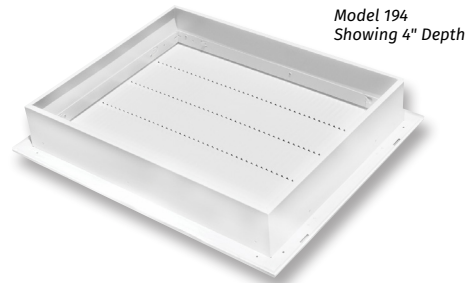
Model	Description
190	Fixed Hinged Face, 1/2" Blade Spacing, 1" Deep Filter
194	Fixed Hinged Face, 1/2" Blade Spacing, 4" Deep Filter

Application • Sidewalls or Ceilings

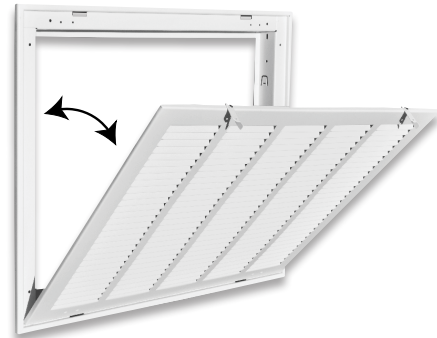
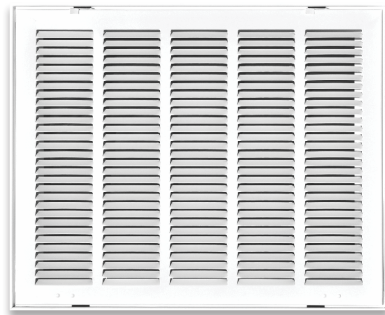
Recommended for • Residential applications

FEATURES

- Steel construction
- 1/2" blade spacing
- Fixed hinge face
- 190 Series accepts 1" filters
- 194 Series accepts 4" deep filters
- SmoothGlide™ finger latches
- Pristine white powder coat finish

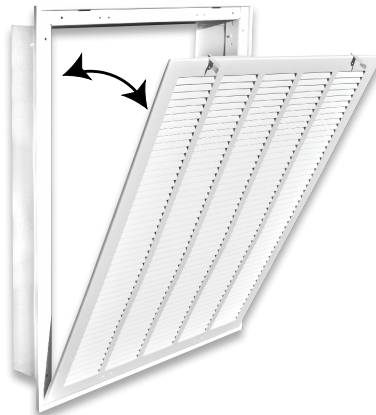
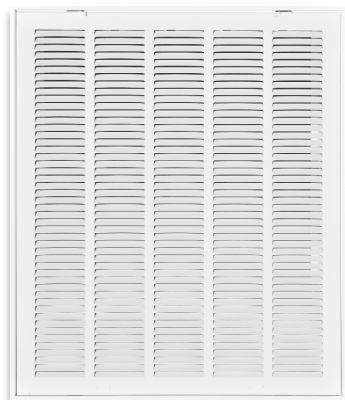


Model 190
Fixed Hinged Face
1/2" Blade Design
For 1" Filters



Shown Open

Model 194
Fixed Hinged Face
1/2" Blade Design
for 4" Filters

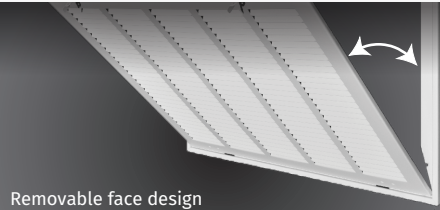


Shown Open



190RF / 192RF / 193RF SERIES

Precision and function for everyday living



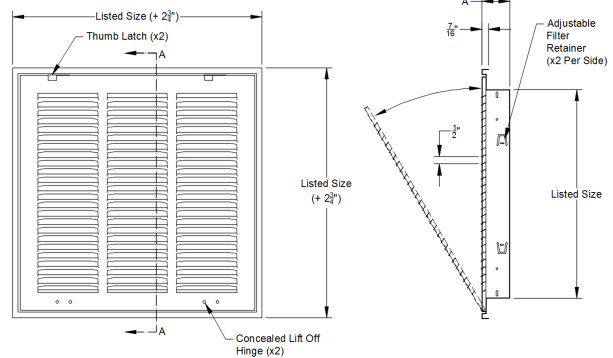
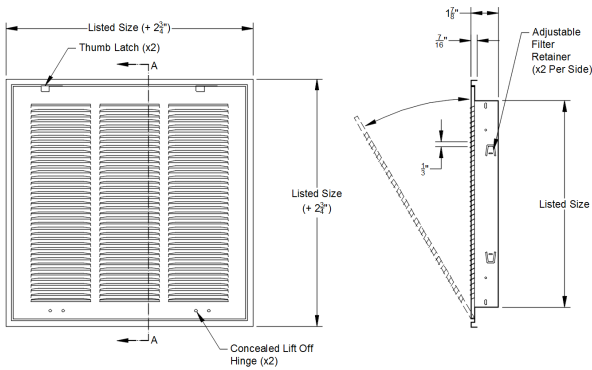
Removable face design suggested for sidewall applications



SmoothGlide™ latch for increased durability and ease of use

Model 190RF / 192RF

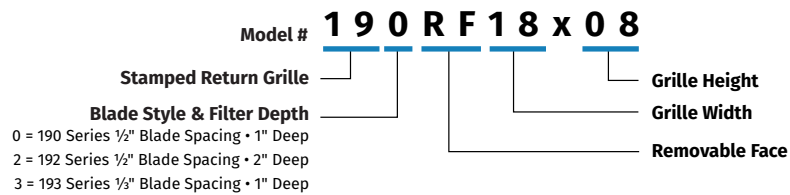
Model 193RF



Filter Depth	Dimensions A
1"	1 7/8"
2"	2 7/8"

NOTE: Filters are not included with return air filter grilles

Model Number Specifications





SIDEWALL/CEILING GRILLES

190RF / 192RF / 193RF Series

Steel Stamped Louver Return Filter Grille Removable Face

Model	Description
190RF	Removable Hinged face 1/2" Blade
192RF	Removable Hinged face 1/2" Blade for 2" filters
193RF	Removable Hinged face 1/3" Blade for 1" filters

Application • Sidewalls or Ceilings

Recommended for • Residential applications

FEATURES

- Steel construction
- Available in 1/2" and 1/3" blade spacing
- Removable face
- 190 and 193 Series accepts 1" filters
- 192 Series accepts 2" deep filters
- SmoothGlide™ finger latches
- Pristine white powder coat finish

Model 190RF

Removable Hinged Face 1/2" Blade Design for 1" Filters



Model 193RF

Removable Hinged Face 1/3" Blade Design For 1" Filters



Model 192RF

Removable Hinged Face 1/2" Blade Design for 2" Filters





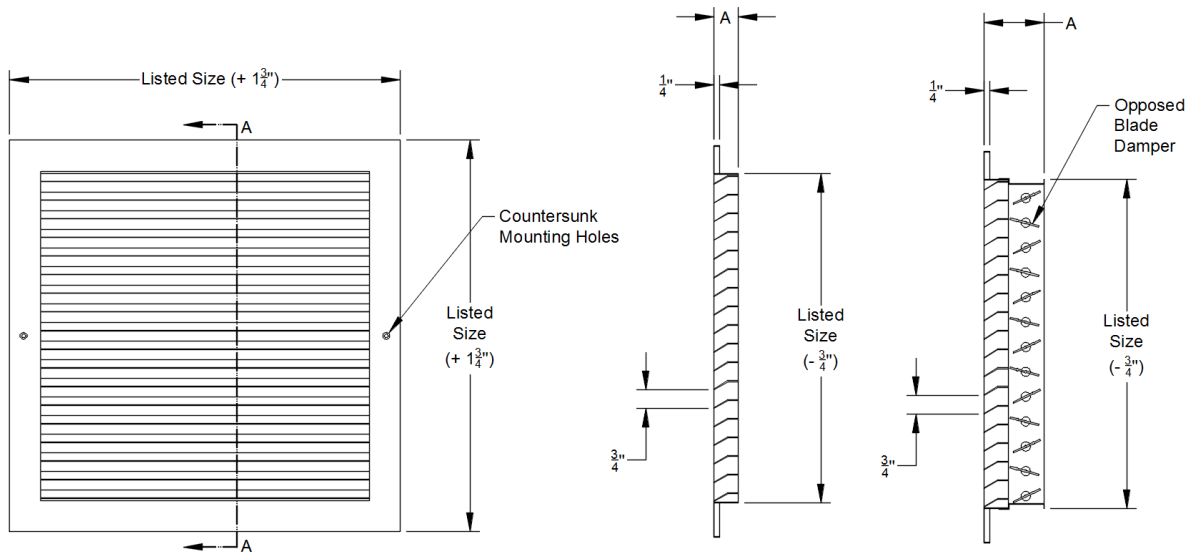
270 SERIES

Precision and function for everyday living



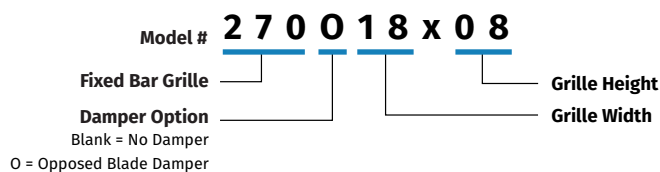
Blades at 15° from face

Model 270



Model	Dimensions A	
	Grille Only	W/OBD
270	1 3/16"	2 1/4"

Model Number Specifications





SIDEWALL/CEILING GRILLES

270 Series

Steel Fixed Bar Grille

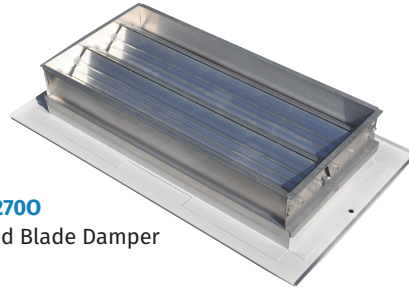
Model	Description
270	Fixed Bar Grille

FEATURES

- Steel construction
- 3/4" blade spacing
- 15° blade pitch from grille face
- Countersunk screw holes on 270 Series
- Pristine white powder coat finish
- Optional opposed blade damper

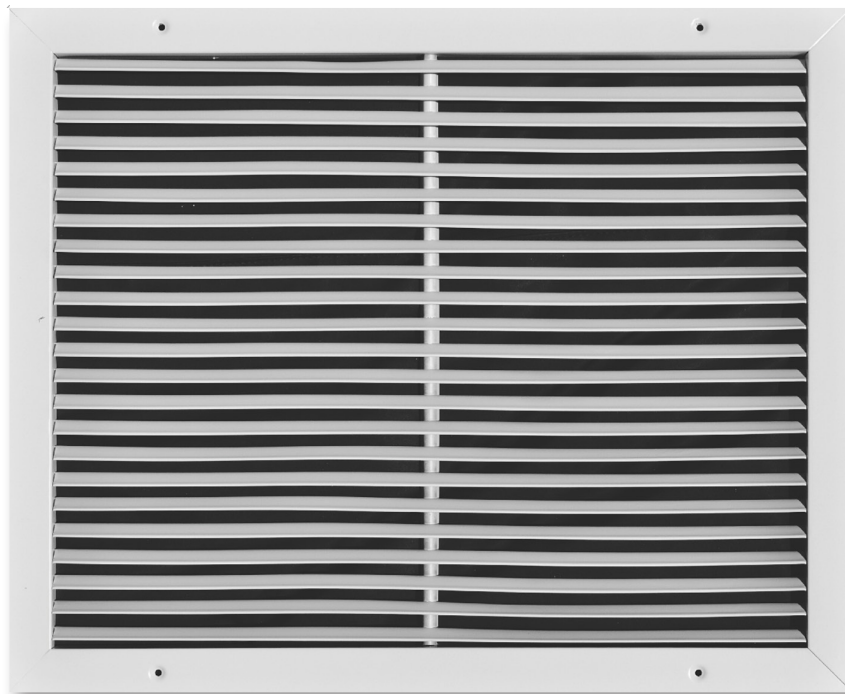
Application • Sidewalls or Ceilings

Recommended for • Residential or Commercial applications



Model 2700
Opposed Blade Damper

Model 270
Fixed Bar Return Air Grille





290 / 292 / 294 SERIES

Precision and function for everyday living

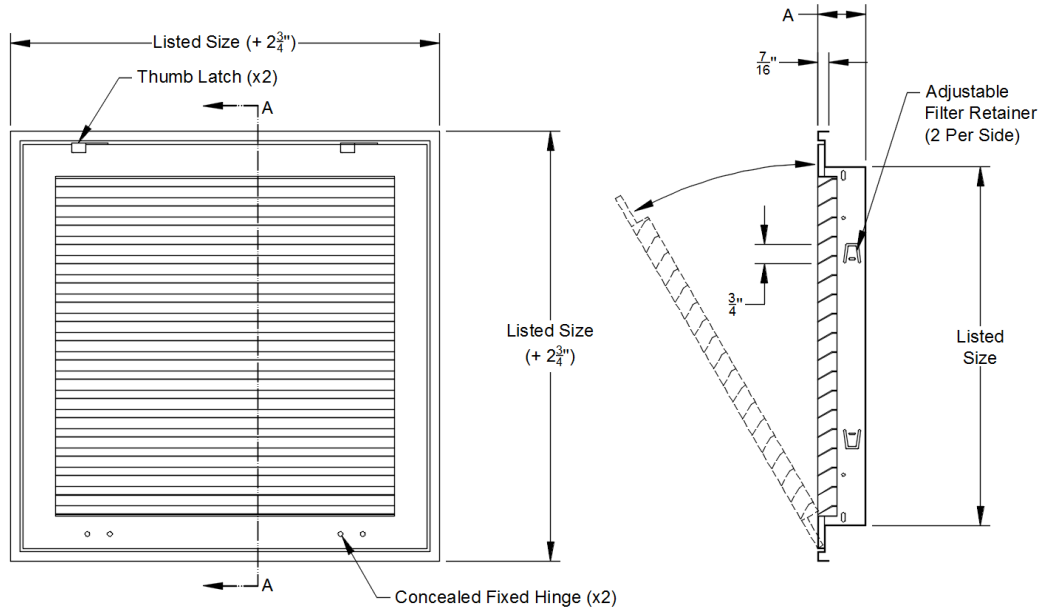


Blades at 15° from face



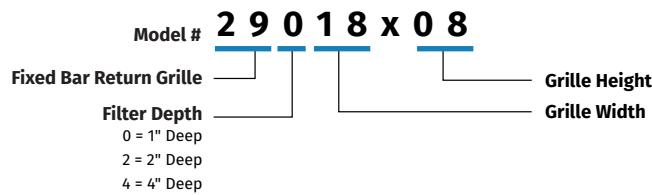
SmoothGlide™ latch for increased durability and ease of use

Model 290 / 292 / 294



NOTE: Filters are not included with return air filter grilles

Model Number Specifications





SIDEWALL/CEILING GRILLES

290/292/294 Series

Steel Fixed Bar Filter Grille – Fixed Hinge

Model	Description
290	Fixed Bar Return Filter Grille for 1" Deep Filter
292	Fixed Bar Return Filter Grille for 2" Deep Filter
294	Fixed Bar Return Filter Grille for 4" Deep Filter

Application • Sidewalls or Ceilings

Recommended for • Residential applications

FEATURES

- Steel construction
- ¾" blade spacing
- 15° blade pitch from grille face
- 290 Series accepts 1" deep filters
- 292 Series accepts 2" deep filters
- 294 Series accepts 4" deep filters
- Fixed hinge face
- Pristine white powder coat finish

Model 290

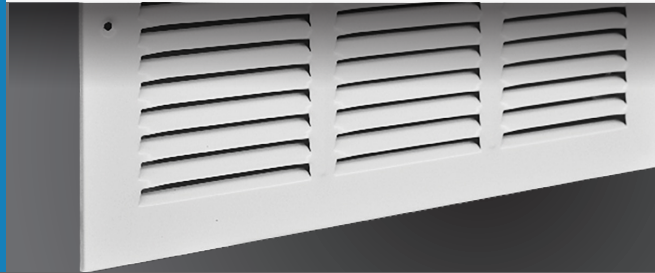
Fixed Bar Return Air Filter Grille





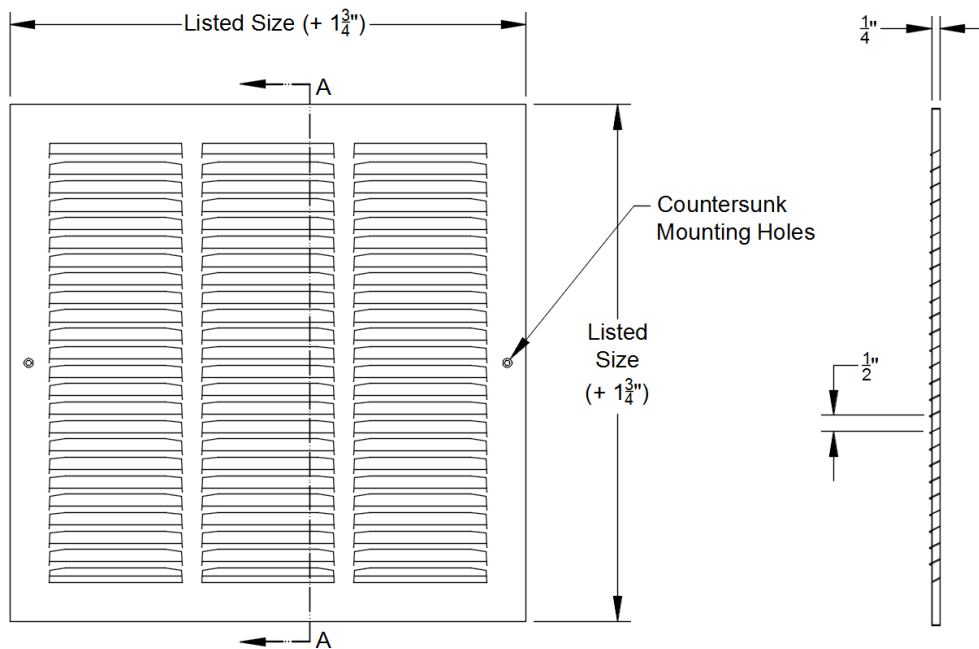
A170 SERIES

Precision and function for everyday living

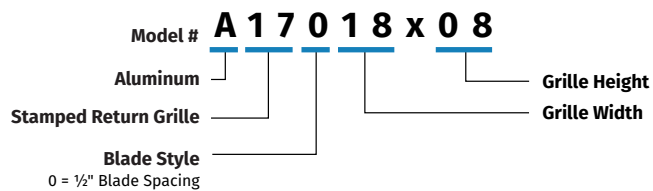


Available in 1/2" blade spacing

Model A170



Model Number Specifications





SIDEWALL/CEILING GRILLES

A170 Series

Aluminum Stamped Louver Grille

Model	Description
A170	Stamped Grille 1/2" Blade Spacing

FEATURES <ul style="list-style-type: none">• Stamped aluminum construction• 1/2" blade spacing• Countersunk screw holes• Pristine white power coat finish

Application • Sidewalls or Ceilings
Recommended for • Residential applications

Model A170
Stamped Return Grille 1/2" Blade Spacing





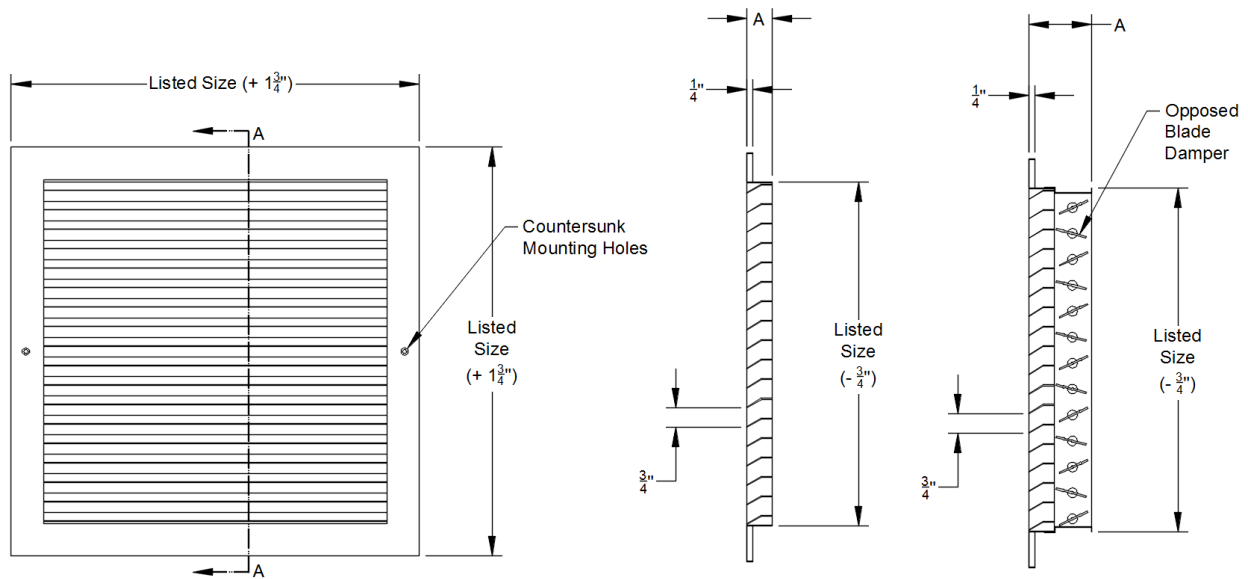
A270 SERIES

Precision and function for everyday living



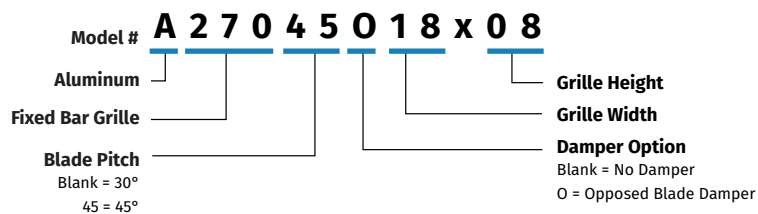
Blades at 30°

Model A270



Model	Dimensions A	
	Grille Only	W/OBD
A270	1"	2 7/16"

Model Number Specifications





SIDEWALL/CEILING GRILLES

A270 Series Aluminum Fixed Bar Grille

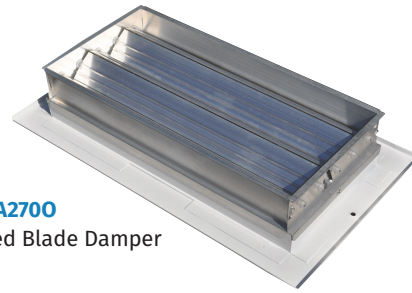
Model	Description
A270	Fixed Bar Grille, 30° Blade Pitch
A27045	Fixed Bar Grille, 45° Blade Pitch

FEATURES

- Extruded aluminum construction
- 3/4" blade spacing
- 30° blade pitch from grille face
- Countersunk screw holes
- Pristine white powder coat finish
- Optional 45° blade pitch
- Optional opposed blade damper

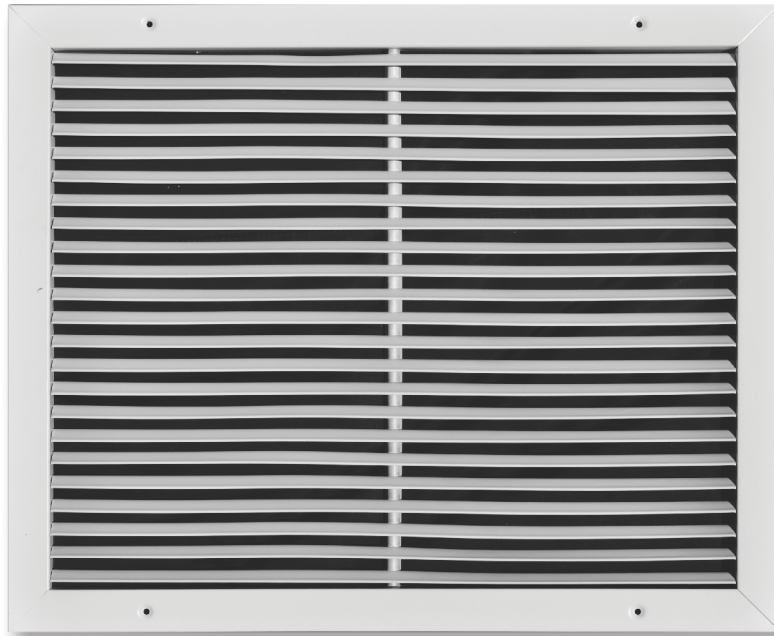
Application • Sidewalls or Ceilings

Recommended for • Residential or Commercial applications



Model A2700
Opposed Blade Damper

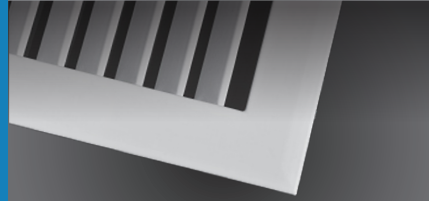
Model A270
Fixed Bar Return Air Grille



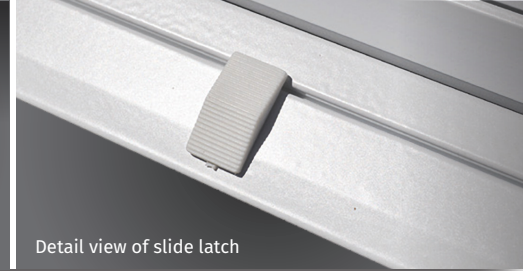


A290 / A292 SERIES

Precision and function for everyday living

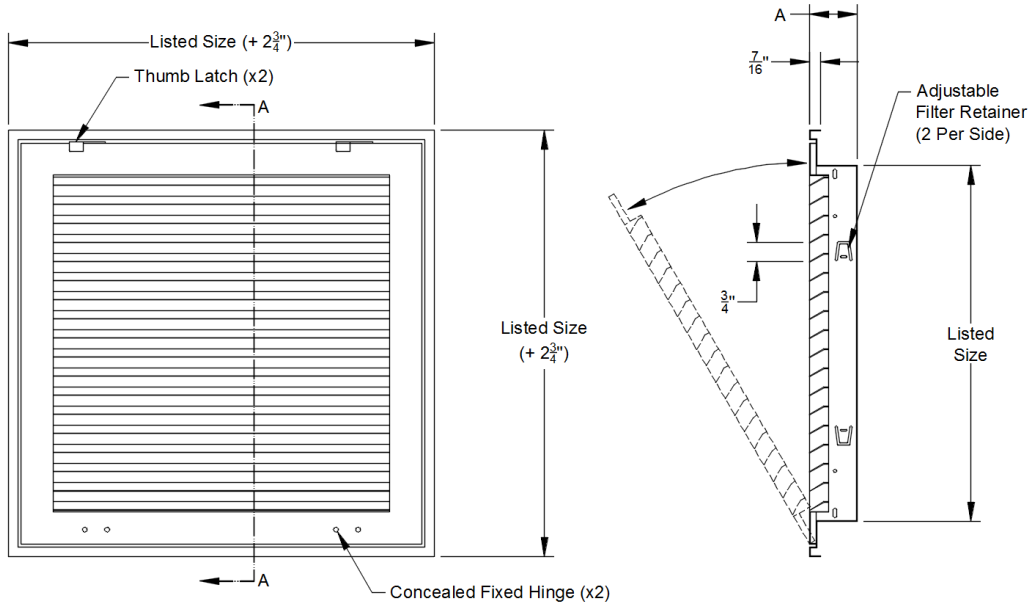


Blades at 30 degree from face



Detail view of slide latch

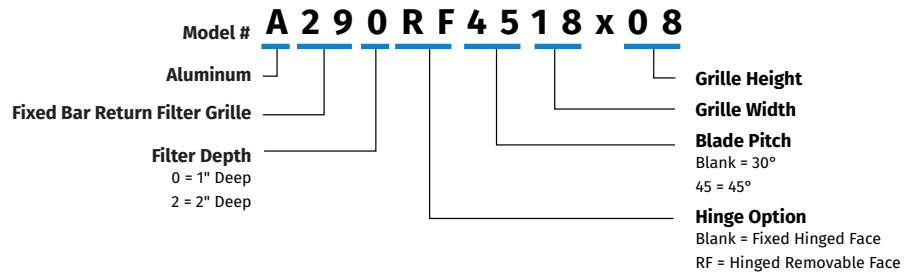
Model A290 / A292



Filter Depth	Dim. A
1"	1 7/8"
2"	2 1/16"

NOTE: Filters are not included with return air filter grilles

Model Number Specifications





SIDEWALL/CEILING GRILLES

A290 / A292 Series

Aluminum Fixed Bar Filter Grille

Model	Description
A290	Aluminum Fixed Bar Return Filter Grille, 30° Blade Pitch
A29045	Aluminum Fixed Bar Return Filter Grille, 45° Blade Pitch
A292	Aluminum Fixed Bar Return Filter Grille, 30° Blade Pitch

Application • Sidewalls or Ceilings

Recommended for • Residential applications

FEATURES

- Extruded aluminum construction
- 3/4" blade spacing
- 30° blade pitch from grille face
- A290 and A29045 Series accept 1" deep filters
- A292 Series accepts 2" deep filters
- Fixed hinge or removable face
- Pristine white powder coat finish
- Optional 45° blade pitch

Model A290

Aluminum Fixed Bar Return Air Filter Grille





ACD690 / 670 SERIES

Precision and function for everyday living

Access panel latch

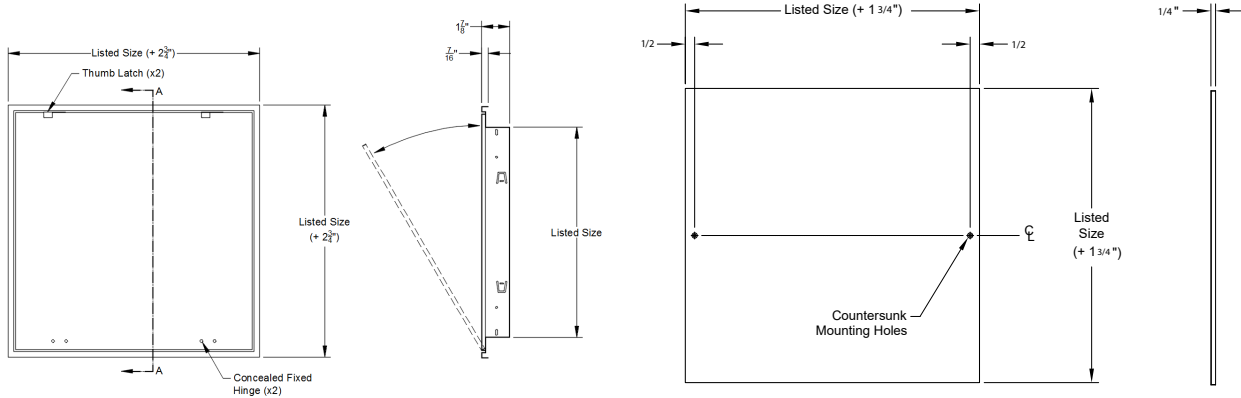


Access panel fixed hinge

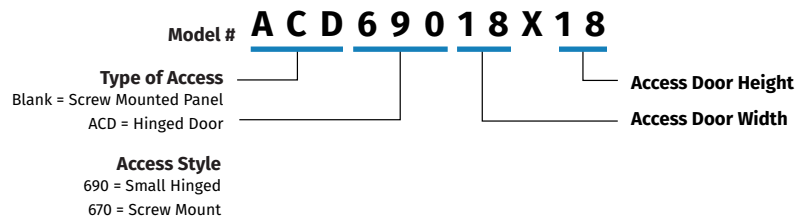


Model ACD690

Model 670



Model Number Specifications





ACCESS PANELS & ACCESSORIES

ACD690 / 670 Series

Small Single Access Panel

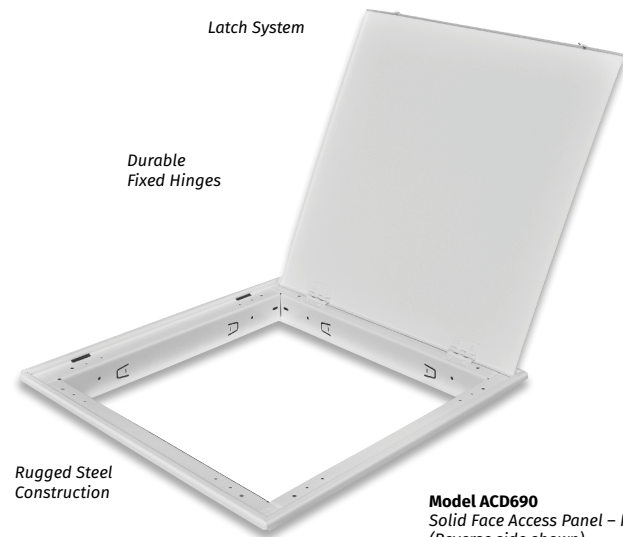
Model	Description
ACD690	Solid Face Access Door Hinged Face
670	Solid Face Access Panel Screw Mount

FEATURES

- Steel construction
- Fixed hinge panel on ACD690 only
- SmoothGlide™ finger latches on ACD690 only
- Pristine white powder coat finish

Application • Sidewalls and ceilings

Recommended for • Commercial and residential applications



Model ACD690
Solid Face Access Panel – Hinged Face
(Reverse side shown)

Model ACD690
Solid Face Access Door
Hinged Face



Model 670
Solid Face Access Panel
Screw Mount

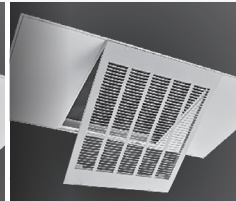


ACD2400 SERIES

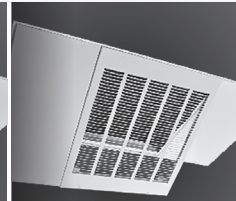
Precision and function for everyday living



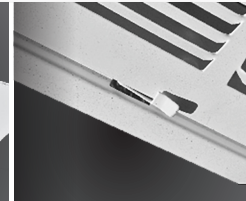
All panels closed



Center panel open

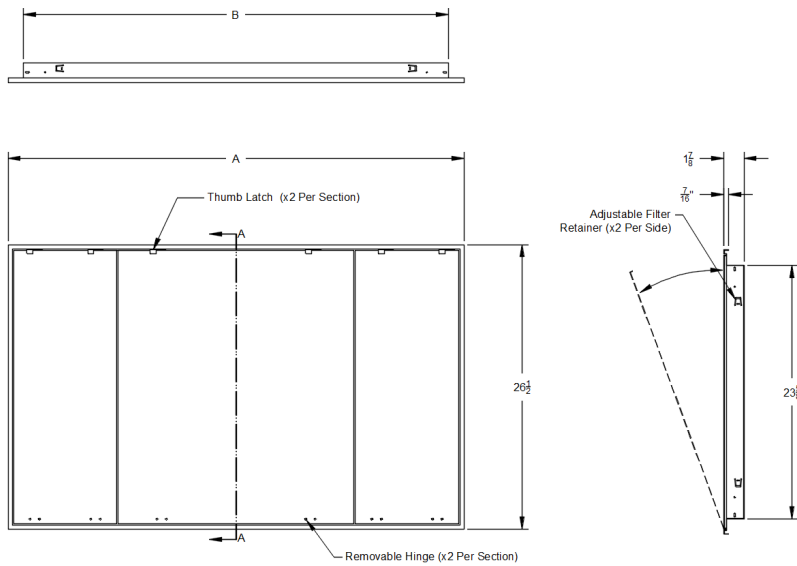


Center & left panel open



SmoothGlide™ latch technology

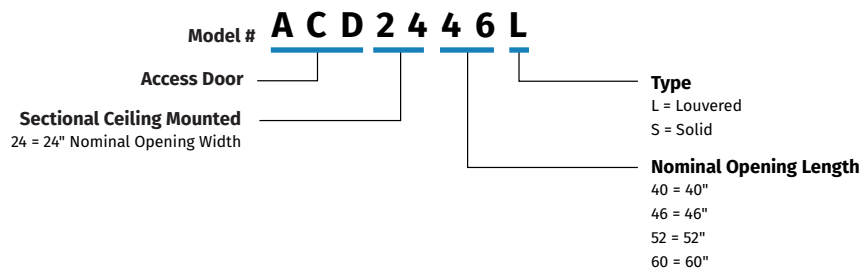
Model ACD2400



Model	Dimensions	
	A	B
ACD2440S	46 1/2"	39 5/8"
ACD2440L	46 1/2"	39 5/8"
ACD2446S	48 1/2"	45 5/8"
ACD2446L	48 1/2"	45 5/8"
ACD2452S	54 1/2"	51 5/8"
ACD2452L	54 1/2"	51 5/8"
ACD2460S	62 1/2"	59 5/8"
ACD2460L	62 1/2"	59 5/8"

NOTE: Solid panel shown, all dimensions are typical for louver panels

Model Number Specifications





ACCESS PANELS & ACCESSORIES

ACD2400 Series Ceiling Sectional Access Panel

Model	Description
ACD2440S	Solid Face Access Panel
ACD2440L	Louvered Face Access Panel
ACD2446S	Solid Face Access Panel
ACD2446L	Louvered Face Access Panel
ACD2452S	Solid Face Access Panel
ACD2452L	Louvered Face Access Panel
ACD2460S	Solid Face Access Panel
ACD2460L	Louvered Face Access Panel

FEATURES

- Steel construction
- Unique segmented face design
- Easy filter access
- Completely removable panels
- Center panel is louvered or solid face
- SmoothGlide™ finger latches
- Accepts 20" x 20" x 1" filter
- Pristine white powder coat finish

Application • Ceilings

Recommended for • Commercial and residential applications

ACD2400 Series Options

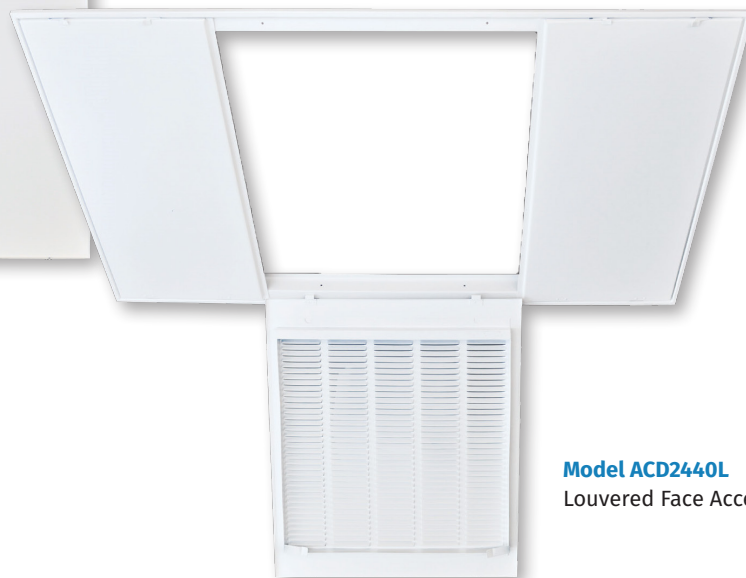
Model ACD2440L (Louvered)

Louvered center panel is used for non-ducted return air applications.



Model ACD2440S

Solid Face Access Panel



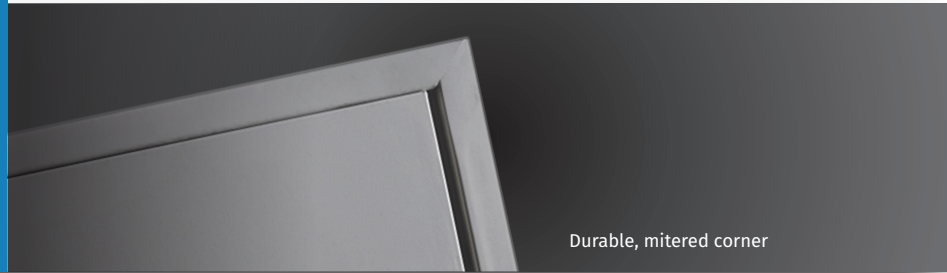
Model ACD2440L

Louvered Face Access Panel



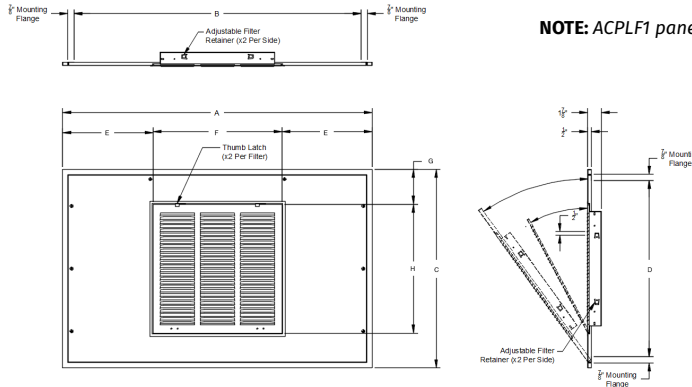
ACP SERIES

Precision and function for everyday living



Durable, mitered corner

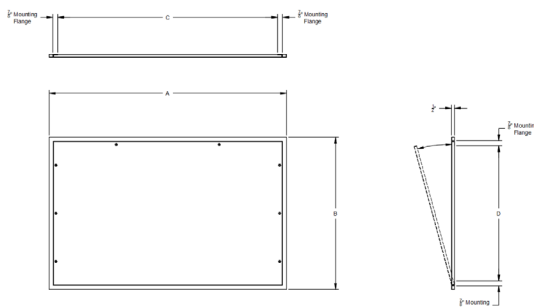
Model ACPLF



NOTE: ACPLF1 panel shown: all dimensions are typical to solid panels

Model	Dimensions								Scored Duct Diameters
	A	B	C	D	E	F	G	H	
ACP2844FL1	43 1/4"	40 1/8"	27 3/4"	24 5/8"	11 5/8"	22"	3 7/8"	22"	20" x 20" x 1" (1)
ACP2850FL1	49 1/4"	46 1/8"	27 3/4"	24 5/8"	14 5/8"	22"	3 7/8"	22"	20" x 20" x 1" (1)
ACP2844FL1	55 3/4"	52 5/8"	27 3/4"	24 5/8"	17 5/8"	22"	3 7/8"	22"	20" x 20" x 1" (1)
ACP3348LF2	48"	44 7/8"	32 1/2"	29 3/8"	5 1/16"	16"	6 1/4"	16"	14" x 14" x 1" (2)
ACP3360LF2	60"	56 7/8"	32 1/2"	29 3/8"	7 1/16"	20"	6 1/4"	20"	18" x 18" x 1" (2)

Model ACPS



Nominal Module Size	Dimensions			
	"A"	"B"	"C"	"D"
ACP2844S	43 1/4"	27 3/4"	40 1/8"	24 5/8"
ACP2850S	49 1/4"	27 3/4"	46 1/8"	24 5/8"
ACP2856S	55 3/4"	27 3/4"	52 5/8"	24 5/8"
ACP3348S	48"	32 1/2"	44 7/8"	29 3/8"
ACP3360S	55 3/4"	32 1/2"	52 5/8"	29 3/8"



ACCESS PANELS & ACCESSORIES

ACP Series

Ceiling Access Panel

Model	Description
ACP2844LF1	Louvered Ceiling Access Panel – 1 Filter
ACP2844S	Solid Ceiling Access Panel
ACP2850LF1	Louvered Ceiling Access Panel – 1 Filter
ACP2850S	Solid Ceiling Access Panel
ACP2856LF1	Louvered Ceiling Access Panel – 1 Filter
ACP2856S	Solid Ceiling Access Panel
ACP3348LF2	Louvered Ceiling Access Panel – 2 Filters
ACP3348S	Solid Ceiling Access Panel
ACP3360LF2	Louvered Ceiling Access Panel – 2 Filters
ACP3360S	Solid Ceiling Access Panel

FEATURES

- Steel construction
- Hinged main panel
- Separate hinged filter access on LF
- ½" blade spacing on LF Models
- 40° blade pitch on LF Models
- SmoothGlide™ finger latches on filter access
- Pristine white powder coat finish

Application • Ceilings

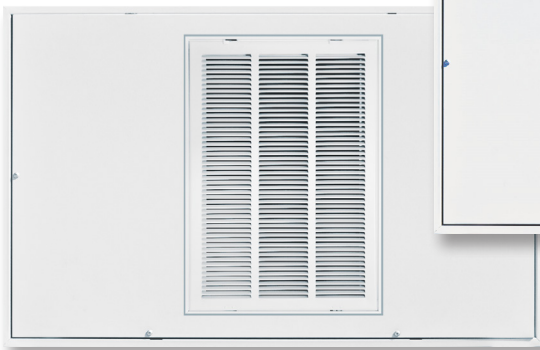
Recommended for • Commercial and residential applications

Model ACP-S

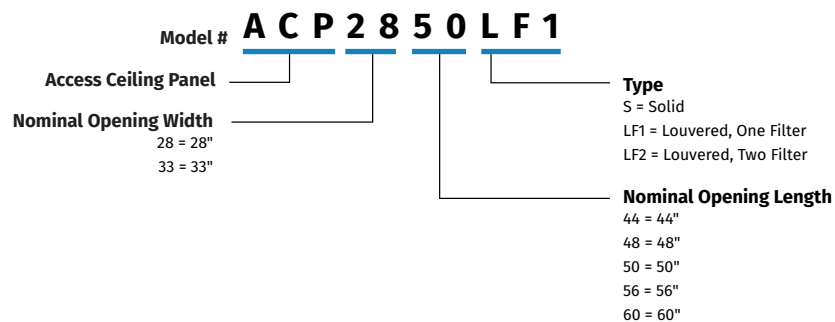
Solid Ceiling Access Panel

Model ACP-L

Louvered Ceiling Access Panel



Model Number Specifications



TRUaire

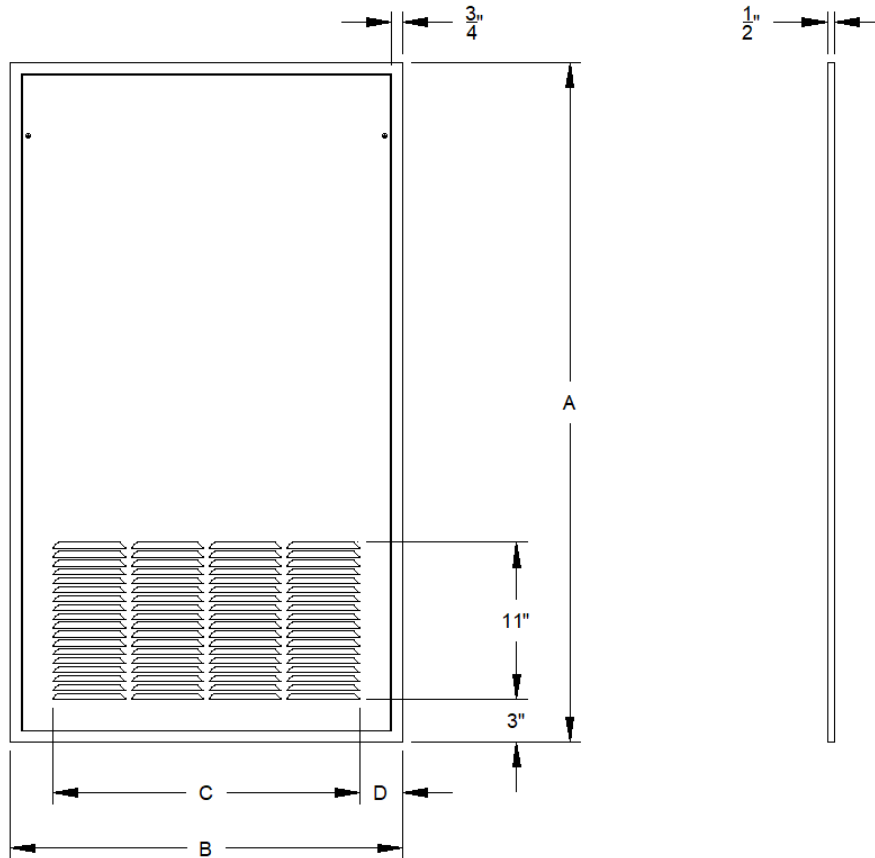
AWD SERIES

Precision and function for everyday living



Stamped louver blades

Model AWD



Model	Dimensions				Rough Opening	
	A	B	C	D	H	W
AWD4324L	43 1/8"	24 3/8"	15 7/8"	4 1/4"	39 3/4"	21"
AWD4828L	47 5/8"	27 1/2"	21 3/8"	3"	44 1/4"	24 1/8"



ACCESS PANELS & ACCESSORIES

AWD Series

Access Wall Door

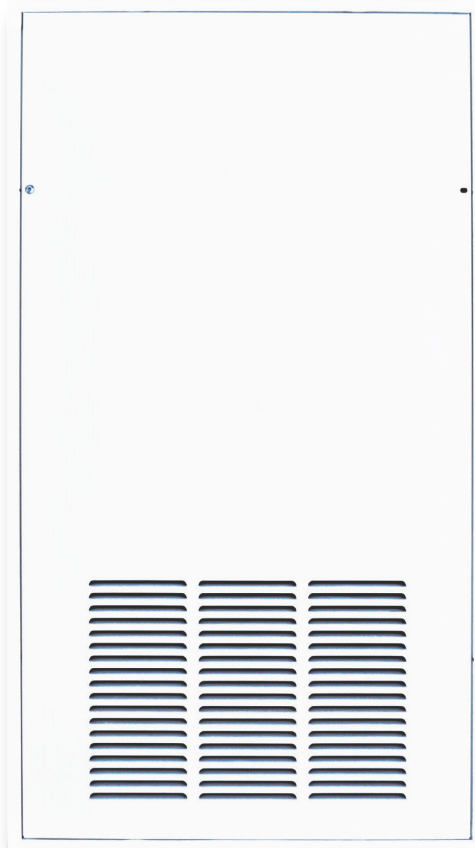
Model	Description
AWDL	Louvered Wall Access Door Panel

FEATURES

- Steel construction
- 5/8" blade spacing
- Pristine white powder coat finish

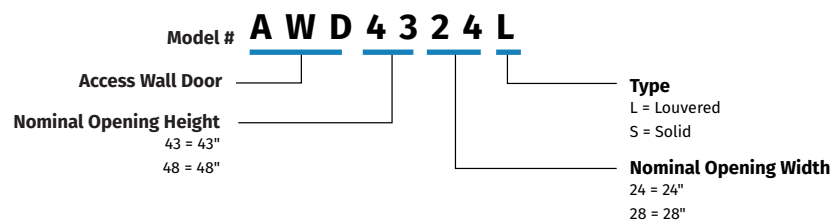
Application • Sidewalls

Recommended for • Commercial and residential applications



Model AWD-L
Wall Access Door
Panel

Model Number Specifications



TRUaire Retrofit

Classic Diffuser Damper Box

GR Classic Grilles

RCF Ceiling Support Flanges

DCF Drop Ceiling Flanges

Retrofit TuffBox





ONE-PIECE AIR DIFFUSERS

Timeless design meets next-level comfort



- One-piece diffuser, damper box
- Virtually airtight
- Lightning-fast installation

Virtually airtight butterfly damper and rubber gasket deliver superior seal when closed



Stepped Collar for multiple duct sizes

Collar tabs easily tear away unneeded sections

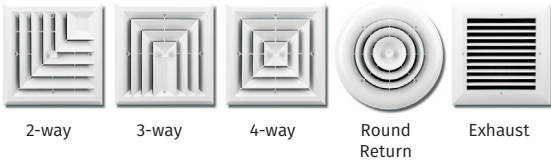
Mounting Clip accommodates thicknesses up to 1/4"

Damper Handle allows smooth, easy turning adjustment from below for a fully open to tightly closed position

High-Grade Polymer Grille resists breakage, scratching, yellowing, and fading

Action videos and full details, visit rs.today/retrofit

TRUAIRE® RETROFIT DIFFUSER AIRFLOW SPECIFICATIONS



RS # (ref. #)
81912 (MV2) (8x8") Ak=.33

CFM	PRESSURE LOSS	THROW*	FACE VELOCITY**
55	.006 WG	4.9 ft	164 ft/min
75	.009 WG	6.7 ft	229 ft/min
90	.014 WG	8.0 ft	264 ft/min
110	.021 WG	9.8 ft	330 ft/min
125	.027 WG	11.1 ft	375 ft/min
150	.039 WG	13.4 ft	451 ft/min
175	.053 WG	15.6 ft	533 ft/min
200	.069 WG	17.8 ft	604 ft/min
250	.108 WG	22.3 ft	757 ft/min
300	.156 WG	26.7 ft	909 ft/min
350	.212 WG	31.2 ft	1060 ft/min



RS # (ref. #)
81902 (MV2S) (6x6") Ak=.17

CFM	PRESSURE LOSS	THROW*	FACE VELOCITY**
55	.028 WG	4.5 ft	308 ft/min
75	.054 WG	6.0 ft	421 ft/min
90	.102 WG	7.1 ft	592 ft/min
110	.145 WG	8.9 ft	663 ft/min
125	.181 WG	10.3 ft	785 ft/min
150	.245 WG	11.5 ft	903 ft/min
175	.325 WG	12.6 ft	1045 ft/min
200	.430 WG	14.0 ft	1155 ft/min

RS # (ref. #)
81913 (MV3), 81943 (GRD3) (8x8") Ak=.29

CFM	PRESSURE LOSS	THROW*	FACE VELOCITY**
55	.008 WG	5.0 ft	188 ft/min
75	.014 WG	6.8 ft	255 ft/min
90	.020 WG	8.1 ft	310 ft/min
110	.030 WG	9.9 ft	370 ft/min
125	.038 WG	11.3 ft	445 ft/min
150	.054 WG	13.5 ft	517 ft/min
175	.073 WG	15.8 ft	602 ft/min
200	.095 WG	18.0 ft	689 ft/min
250	.148 WG	22.5 ft	862 ft/min
300	.213 WG	27.0 ft	1034 ft/min
350	.289 WG	31.5 ft	1206 ft/min



Throw measurements are equal in all three directions +/-5%

RS # (ref. #)
81903 (MV3S) (6x6") Ak=.17

CFM	PRESSURE LOSS	THROW*	FACE VELOCITY**
55	.056 WG	5.3 ft	344 ft/min
75	.075 WG	7.2 ft	426 ft/min
90	.130 WG	8.8 ft	570 ft/min
110	.171 WG	10.2 ft	661 ft/min
125	.230 WG	11.1 ft	785 ft/min
150	.290 WG	11.5 ft	880 ft/min
175	.445 WG	12.1 ft	994 ft/min
200	.545 WG	12.8 ft	1182 ft/min

RS # (ref. #)
81914 (MV4), 81944 (GRD4) & 81834 (GR4) (8x8") Ak=.30

CFM	PRESSURE LOSS	THROW*	FACE VELOCITY**
55	.007 WG	3.9 ft	183 ft/min
75	.011 WG	5.3 ft	247 ft/min
90	.017 WG	6.4 ft	293 ft/min
110	.024 WG	7.8 ft	359 ft/min
125	.030 WG	8.9 ft	410 ft/min
150	.043 WG	10.6 ft	505 ft/min
175	.057 WG	12.4 ft	562 ft/min
200	.073 WG	14.2 ft	640 ft/min
250	.114 WG	17.7 ft	833 ft/min
300	.164 WG	21.3 ft	1000 ft/min
350	.223 WG	24.8 ft	1166 ft/min



RS # (ref. #)
81904 (MV4S) (6x6") Ak=.20

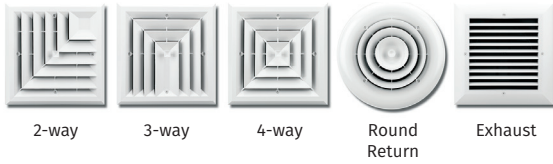
CFM	PRESSURE LOSS	THROW*	FACE VELOCITY**
55	.050 WG	4.5 ft	330 ft/min
75	.085 WG	6.3 ft	361 ft/min
90	.117 WG	7.1 ft	440 ft/min
110	.160 WG	8.2 ft	527 ft/min
125	.200 WG	9.1 ft	605 ft/min
150	.290 WG	10.2 ft	750 ft/min
175	.395 WG	10.9 ft	875 ft/min
200	.490 WG	11.5 ft	962 ft/min

* All throw measurements are made from the center of the grille to a terminal velocity of 50 feet per minute. Direction determined by grille profile.

** Noise level of any diffuser is directly related to face velocity. As a general rule, face velocity should be under 800 FPM for residential applications. The MV diffuser with its One-piece molded design, outperforms comparable diffusers causing less turbulence and noise.

Note: Supply diameter has no appreciable effect on characteristics or airflow specifications, but should be consistent with the desired airflow of the particular outlet and application. Instruments used in testing: • Shortridge Instruments Flowhood Series 8400 • Shortridge Instruments Air Data Multimeter • Davis LCA-6000 Rotating Vane Anemometer

TRUAIRE® RETROFIT DIFFUSER AIRFLOW SPECIFICATIONS



RS # (ref. #)

81911 (MV360) (8x8") Ak=.33

CFM	PRESSURE LOSS	THROW*	FACE VELOCITY**
55	.002 WG	3.0 ft	161 ft/min
75	.003 WG	3.6 ft	223 ft/min
90	.004 WG	3.8 ft	269 ft/min
110	.005 WG	4.0 ft	328 ft/min
125	.006 WG	5.0 ft	381 ft/min
150	.010 WG	5.5 ft	449 ft/min
175	.015 WG	6.5 ft	527 ft/min
200	.021 WG	7.0 ft	612 ft/min
250	.029 WG	8.0 ft	755 ft/min
300	.038 WG	9.0 ft	904 ft/min
350	.045 WG	10.0 ft	1055 ft/min



RS # (ref. #)

81901 (MV360S S) (6x6") Ak=.17

CFM	PRESSURE LOSS	THROW*	FACE VELOCITY**
55	.006 WG	0.8 ft	214 ft/min
75	.009 WG	1.5 ft	284 ft/min
90	.014 WG	2.2 ft	347 ft/min
110	.018 WG	2.3 ft	415 ft/min
125	.025 WG	3.2 ft	437 ft/min
150	.036 WG	4.4 ft	544 ft/min
175	.045 WG	5.5 ft	614 ft/min
200	.060 WG	6.4 ft	699 ft/min

RS # (ref. #)

81915 (MVE) (8x8") Ak=.37

CFM	PRESSURE LOSS	THROW*	FACE VELOCITY**
55	.0005 WG	0.8 ft	92 ft/min
75	.0008 WG	2.1 ft	151 ft/min
90	.0014 WG	3.4 ft	207 ft/min
110	.0017 WG	5.6 ft	255 ft/min
125	.0020 WG	7.8 ft	350 ft/min
150	.0030 WG	9.7 ft	445 ft/min
175	.0050 WG	11.4 ft	545 ft/min
200	.0080 WG	12.8 ft	700 ft/min
250	.0200 WG	14.1 ft	910 ft/min
300	.0250 WG	14.8 ft	1044 ft/min
350	.0300 WG	15.4 ft	1187 ft/min



RS # (ref. #)

81905 (MVES) (6x6") Ak=.31

CFM	PRESSURE LOSS	THROW*	FACE VELOCITY**
55	.0008 WG	1.2 ft	146 ft/min
75	.0018 WG	4.2 ft	230 ft/min
90	.0035 WG	6.2 ft	285 ft/min
110	.0043 WG	7.3 ft	338 ft/min
125	.0054 WG	8.7 ft	434 ft/min
150	.0085 WG	9.8 ft	545 ft/min
175	.0100 WG	11.0 ft	645 ft/min
200	.0110 WG	12.4 ft	685 ft/min

RS # (ref. #)

81916 (MXE) (8x8") Ak=.37

CFM	PRESSURE LOSS	THROW*	FACE VELOCITY**
55	.0005 WG	0.8 ft	92 ft/min
75	.0008 WG	2.1 ft	151 ft/min
90	.0014 WG	3.4 ft	207 ft/min
110	.0017 WG	5.6 ft	255 ft/min
125	.0020 WG	7.8 ft	350 ft/min
150	.0030 WG	9.7 ft	445 ft/min
175	.0050 WG	11.4 ft	545 ft/min
200	.0080 WG	12.8 ft	700 ft/min
250	.0200 WG	14.1 ft	910 ft/min
300	.0250 WG	14.8 ft	1044 ft/min
350	.0300 WG	15.4 ft	1187 ft/min



RS # (ref. #)

81906 (MXES) (6x6") Ak=.31

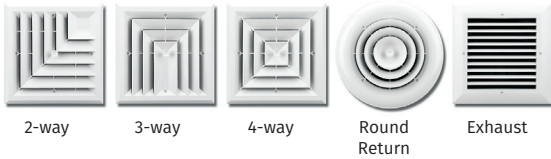
CFM	PRESSURE LOSS	THROW*	FACE VELOCITY**
55	.0008 WG	1.2 ft	146 ft/min
75	.0018 WG	4.2 ft	230 ft/min
90	.0035 WG	6.2 ft	285 ft/min
110	.0043 WG	7.3 ft	338 ft/min
125	.0054 WG	8.7 ft	434 ft/min
150	.0085 WG	9.8 ft	545 ft/min
175	.0100 WG	11.0 ft	645 ft/min
200	.0110 WG	12.4 ft	685 ft/min

* All throw measurements are made from the center of the grille to a terminal velocity of 50 feet per minute. Direction determined by grille profile.

** Noise level of any diffuser is directly related to face velocity. As a general rule face velocity should be under 800 FPM for residential applications. The MV diffuser with its One-piece molded design, outperforms comparable diffusers causing less turbulence and noise.

Note: Supply diameter has no appreciable effect on characteristics or airflow specifications, but should be consistent with the desired airflow of the particular outlet and application. Instruments used in testing: • Shortridge Instruments Flowhood Series 8400 • Shortridge Instruments Air Data Multimeter • Davis LCA-6000 Rotating Vane Anemometer

TRUAIRE® RETROFIT CLASSIC PACKAGING INFORMATION

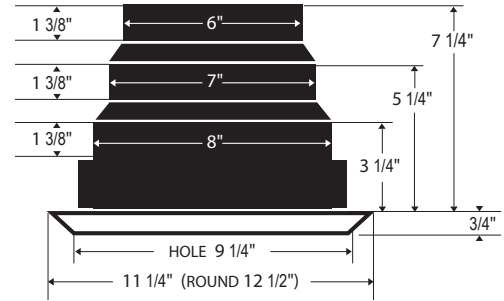


2-way 3-way 4-way Round Return Exhaust

Note: Stepped Collar accommodates:
6", 7", 8" ducting (MV) 4", 5", 6" ducting (MVS)

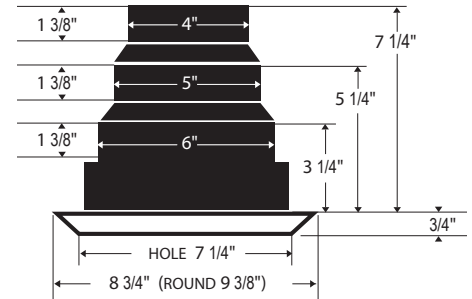
TRUAire Retrofit Classic standard 8x8" diffuser assembly

RS # (ref. #)	DESCRIPTION	CASE QTY	CASE WT
81912 (MV2)	2-way grille/damper/box	4	9 lbs.
81913 (MV3)	3-way grille/damper/box	4	9 lbs.
81914 (MV4)	4-way grille/damper/box	4	9 lbs.
81911 (MV360)	Round grille/damper/box	4	9 lbs.
81915 (MVE)	Return/exhaust grille/damper/box	4	9 lbs.
81916 (MXE)	Return/exhaust grille/box (no damper)	4	9 lbs.



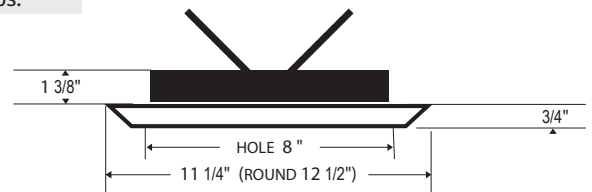
TRUAire Retrofit Classic small 6x6" diffuser assembly

RS # (ref. #)	DESCRIPTION	CASE QTY	CASE WT
81902 (MV2S)	2-way grille/damper/box	8	10.5 lbs.
81903 (MV3S)	3-way grille/damper/box	8	10.5 lbs.
81904 (MV4S)	4-way grille/damper/box	8	10.5 lbs.
81901 (MV360S)	Round grille/damper/box	6	7.5 lbs.
81905 (MVES)	Return/exhaust grille/damper/box	8	10.5 lbs.
81906 (MXES)	Return/exhaust grille/box (no damper)	8	10.5 lbs.



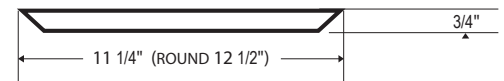
Limited clearance grille/damper

RS # (ref. #)	DESCRIPTION	CASE QTY	CASE WT
81943 (GRD3)	3-way grille/damper	12	15.8 lbs.
81944 (GRD4)	4-way grille/damper	12	15.8 lbs.



Standard Limited clearance grille only

RS # (ref. #)	DESCRIPTION	CASE QTY	CASE WT
81834 (GR4)	4-way grille	25	6 lbs.





TRUAIRE® RETROFIT ACCESSORIES

GRD Limited Clearance Diffusers

Grille with damper

Model GRD grille/damper combination for low clearance side or top entry applications. Same construction as TRUaire Retrofit diffusers but with no boot. Standard 8" size only. Available in all five grille styles.



GR Classic

Grille only

Model GRD grille only. All styles and sizes of both TRUaire Retrofit Classic and TRUaire Retrofit Retro grilles are available. Does not include boot or damper.



RCF Ceiling Support Flanges

Rough-in flanges

RS # (ref. #)	Description	L	W	H	CASE QTY	CASE WT
81965 (RCF16)	16"O/C - 9 1/4" hole	16"	12"	3/8"	50	37 lbs.
81964 (RCF24)	24"O/C - 9 1/4" hole	23 5/8"	12"	3/8"	25	38 lbs.
81955 (RCF16S)	16"O/C - 7" hole	16"	12"	3/8"	50	48 lbs.
81954 (RCF24S)	24"O/C - 7" hole	23 5/8"	12"	3/8"	25	39 lbs.

Model RCF designed for new construction. Our RCF flanges can be fastened to rough framing. It has a 3/8" lip that drops below the ceiling, requiring dry wall installers to cut the hole for you. RCF flanges are available for both 16" and 24" on center framing.



DCF Drop Ceiling Flanges

Flange only

RS # (ref. #)	Description	L	W	H	CASE QTY	CASE WT
81963 (DCF)	24"O/C - 9 1/4" hole	23 5/8"	12"	2"	25	45 lbs.

Model DCF will increase strength and performance for lay in type ceiling applications by transferring weight onto the T-bars. This prevents tiles from sagging over time.



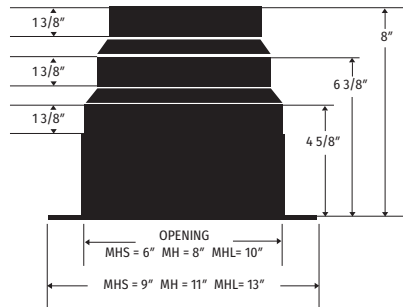


TRUAIRE® RETROFIT TUFFBOX AIR DIFFUSERS

TRUaire Retrofit TuffBox

Quick rough-in polymer register box

Code	Description	CASE QTY	CASE WT
81966 (MHS)	6x6" Register Box 4,5,6" collars	16	15 lbs.
81968 (MH)	8x8" Register Box 6,7,8" collars	10	12.2 lbs.
81970 (MHL)	10x10" Register Box 8,9,10" collars	8	12 lbs.



Our TuffBox is a heavy, one-piece durable polymer shell. Molded design is virtually airtight to deliver 100% of the airflow passing through it.

Each TuffBox utilizes innovative stepped design to accommodate three duct sizes. Quick breakaway collars allow on-site adjustment and labor savings. Each collar is 1-3/8" and beaded to hold flexible duct in place while strap is secured. 5/8" standoffs provide correct depth to accommodate strapping or furring used with drywall. Secure using screw holes provided or simply screw anywhere through the inside into framing. Flange is flexible to conform to drywall backing virtually eliminating leakage between grille and box.



- Adaptable.
- Strong & Silent.
- No measuring.
- No guesswork.

Sidewall/Ceiling Supply Grilles & Registers

Sidewall & Ceiling Grilles

TRUaire Commercial





A520 SERIES

Precision and function for everyday living

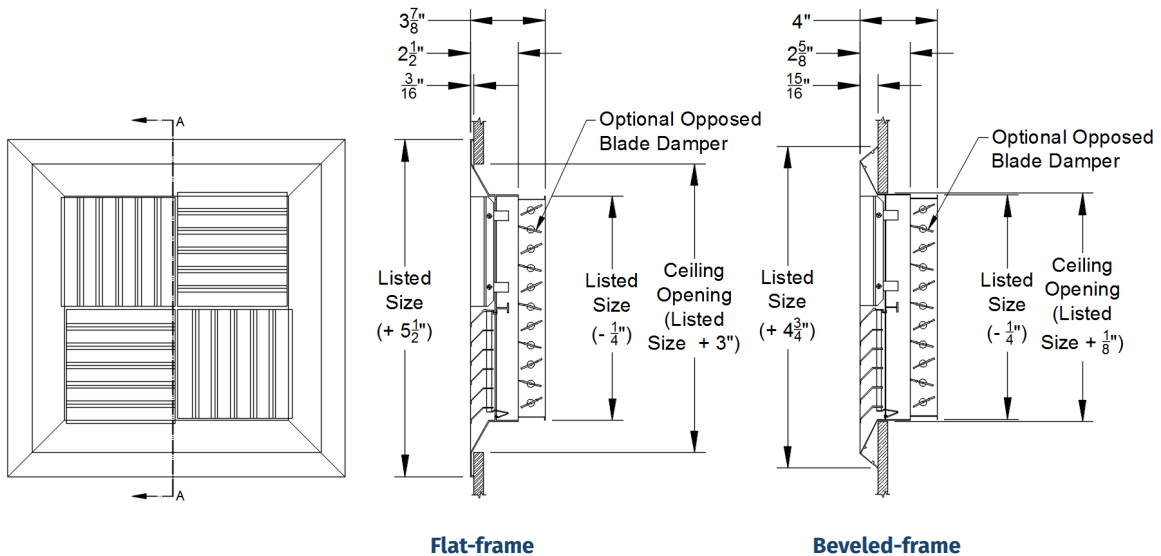


Beveled-frame design

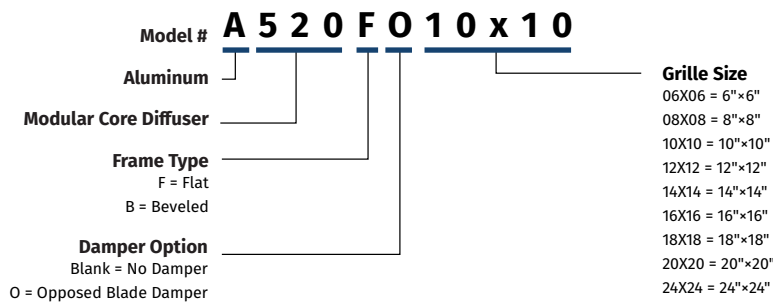


Flat-frame design

Model A520



Model Number Specifications



Field configurable throw patterns:

- 1-Way Down
- 2-Way Opposite
- 2-Way Corner
- 3-Way
- 4-Way



SIDEWALL/CEILING SUPPLY GRILLES & REGISTERS

A520 Series

Aluminum Modular Core Diffuser

Model	Description
A520F	Flat-Frame Design
A520B	Beveled-Frame Design

Application • Ceiling, surface mount

Recommended for • Commercial applications

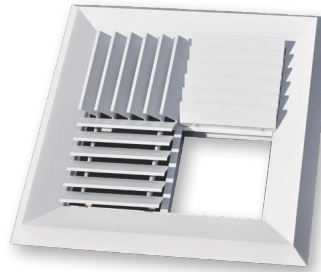
FEATURES

- Extruded aluminum construction
- Beveled or Flat-frame options
- 1-, 2-, 3-, or 4-way
- Pristine white powder coat finish
- Optional opposed blade damper

A520 Series Options



Optional Opposed Blade Damper
With quiet, high-quality nylon bushings



Model A520B Beveled-Frame Design
Remove cores to access screw holes along interior frame



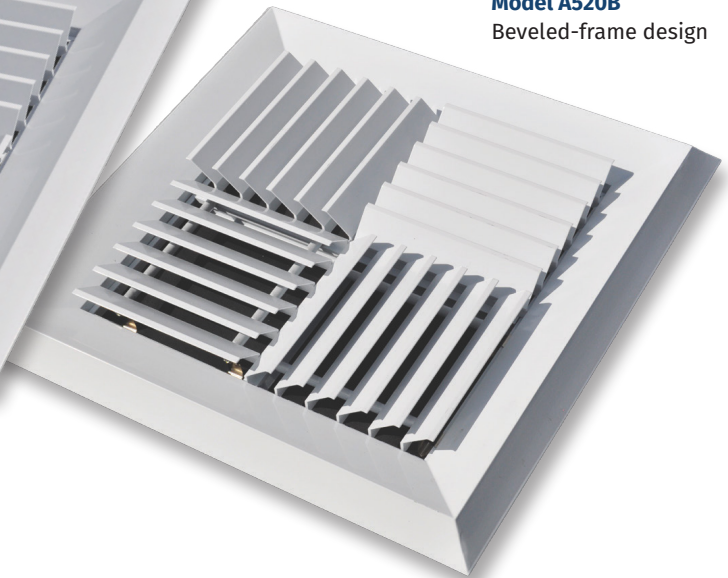
Model A520F

Flat-frame design



Model A520B

Beveled-frame design





Precision and function for everyday living

A540 SERIES

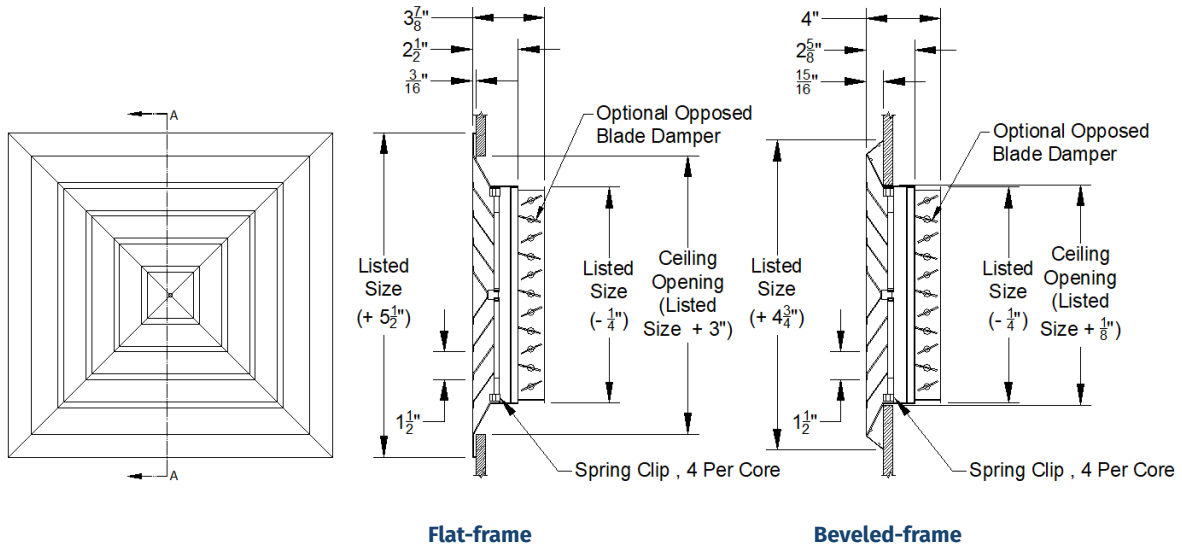


Beveled-frame design



Flat-frame design

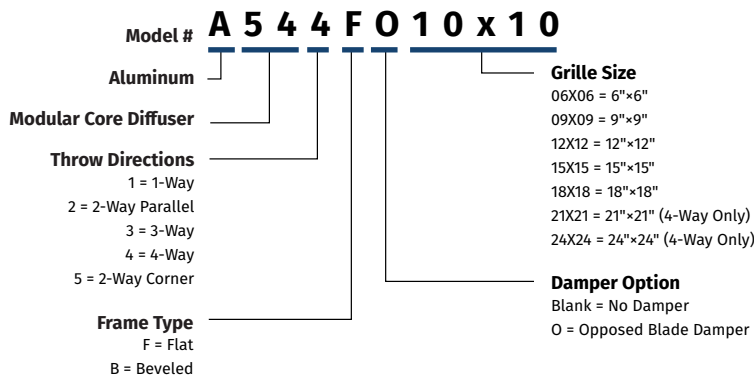
Model A540



Flat-frame

Beveled-frame

Model Number Specifications



Available throw patterns:

- 1-Way Down
- 2-Way Opposite
- 2-Way Corner
- 3-Way
- 4-Way



SIDEWALL/CEILING SUPPLY GRILLES & REGISTERS

A540 Series

Aluminum Direction Diffuser Surface Mounted

Model	Description
A541F	1-Way Flat-Frame
A542F	2-Way Parallel, Flat-Frame
A543F	3-Way Flat-Frame
A544F	4-Way Flat-Frame
A545F	2-Way Corner, Flat-Frame
A541B	1-Way Beveled-Frame
A542B	2-Way Parallel, Beveled-Frame
A543B	3-Way Beveled-Frame
A544B	4-Way Beveled-Frame
A545B	2-Way Corner, Beveled-Frame

FEATURES

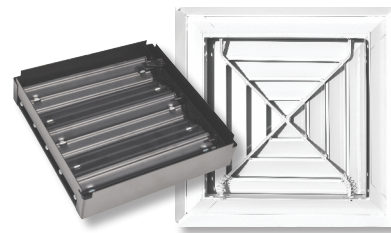
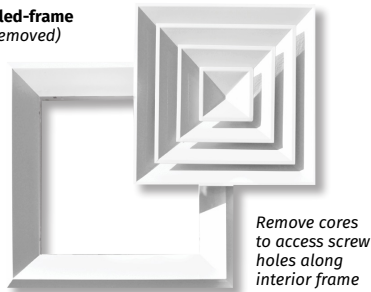
- Extruded aluminum construction
- Beveled or Flat-frame options
- 5 air throw patterns
- Removable core
- Pristine white powder coat finish
- Optional opposed blade damper

Application • Ceiling, surface mount

Recommended for • Commercial applications

A540 Series Options

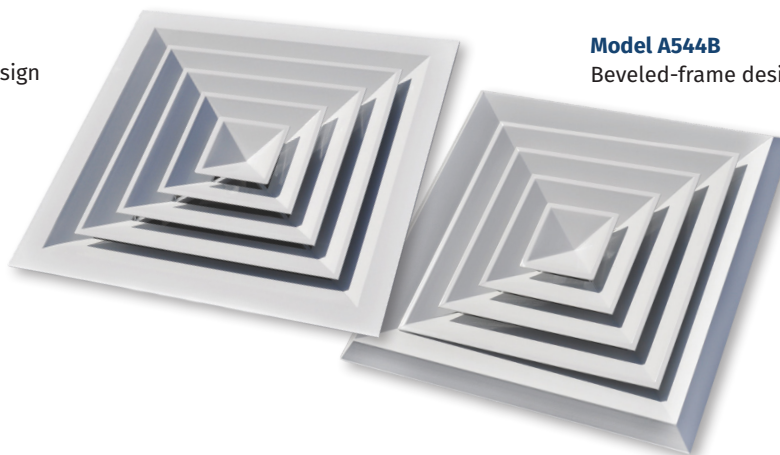
Model A544B Beveled-frame
(Shown with core removed)



Optional Opposed Blade Damper
With quiet, high-quality nylon bushings

Reverse Side

Model A544F
Flat-frame design

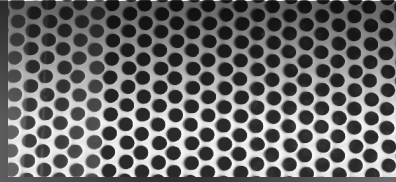


Model A544B
Beveled-frame design

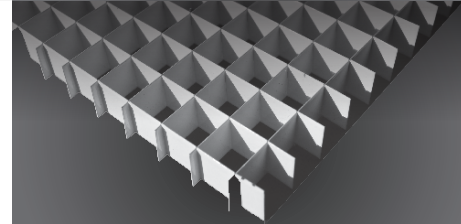


A900 SERIES

Precision and function for everyday living

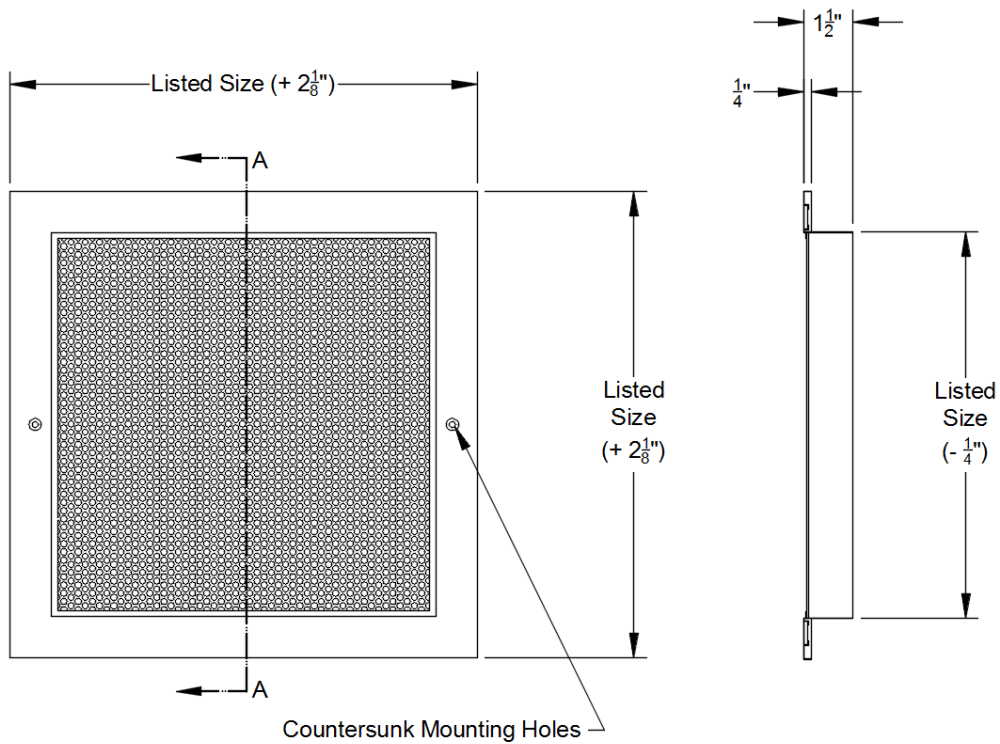


Steel perforated face
51% open area



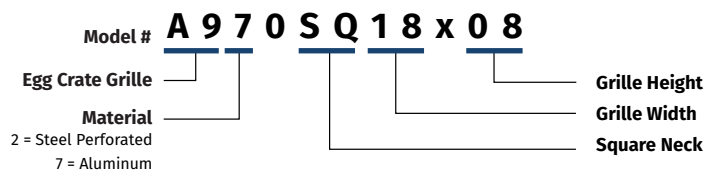
Aluminum Egg Crate

Model A920 / A960 / A970



Perforated face shown; all dimensions are typical for the Egg Crate

Model Number Specifications





SIDEWALL/CEILING GRILLES

A900 Series

Aluminum Egg Crate / Perforated Face Grilles

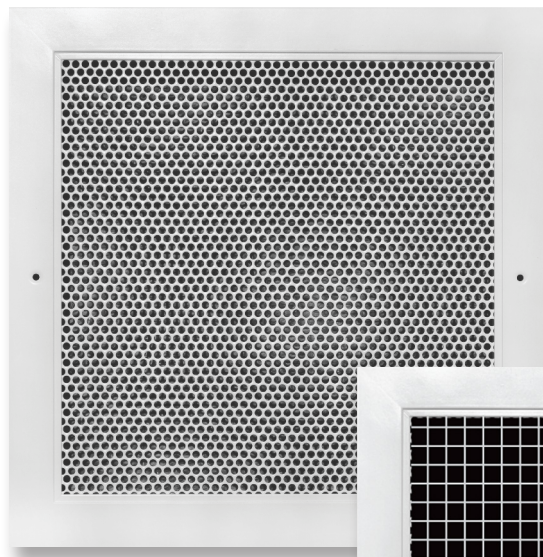
Model	Description
A920	Perforated Face Surface Mount Grille
A970	Aluminum Egg Crate Surface Mount Grille

Application • Ceiling and Sidewalls

Recommended for • Commercial applications

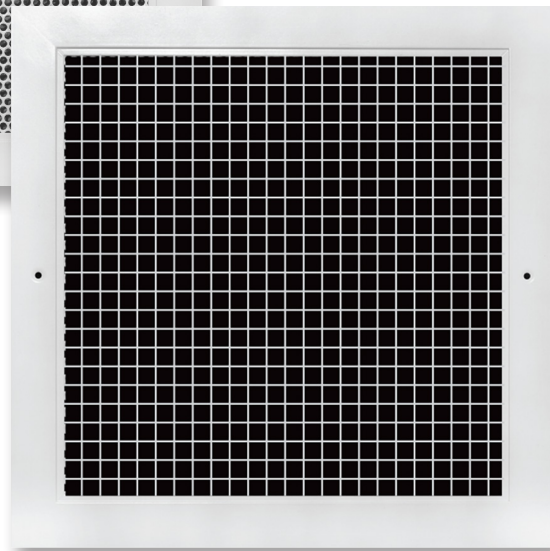
FEATURES

- Extruded aluminum frame construction
- Available in either perforated or Egg Crate face
- 51% free area perforated
- Acrylic or aluminum 1/2" x 1/2" x 1/2" Egg Crate
- Countersunk screw holes
- Pristine white powder coat finish



Model A920

Perforated Face Surface Mount Grille



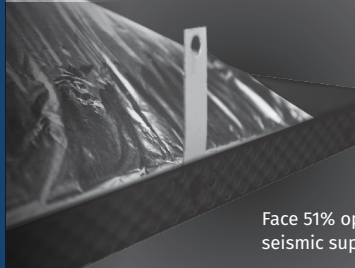
Model A970

Aluminum Egg Crate Surface Mount Grille

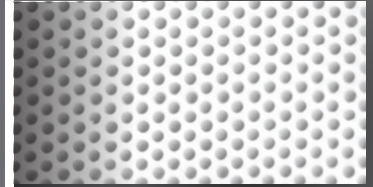


1010MA / 1020MA SERIES

Precision and function for everyday living



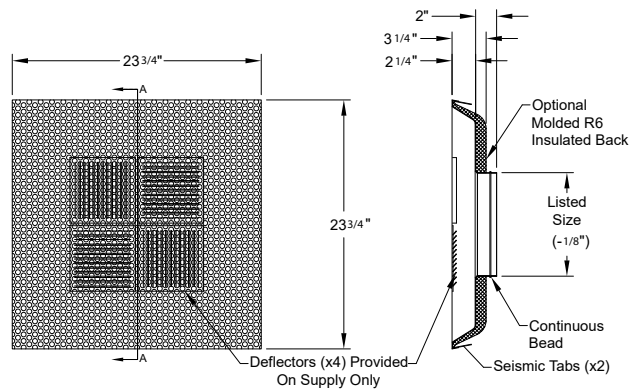
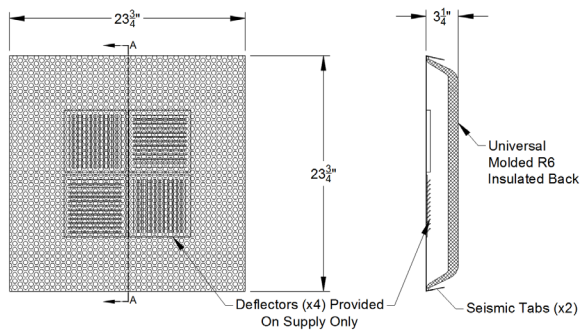
Face 51% open area seismic support tabs



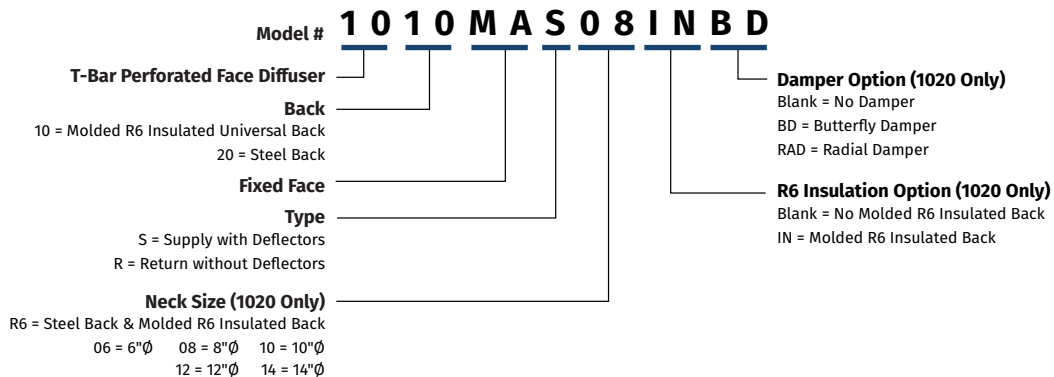
Steel perforated

Model 1010MA

Model 1020MA



Model Number Specifications





SIDEWALL/CEILING GRILLES

1010MA / 1020MA Series

Lay-In Fixed Perforated Face Diffusers

Model	Description
1010MAS	Supply Diffuser, Universal Insulated Back
1010MAR	Return Grille, Universal Insulated Back
1020MAS	Supply Diffuser, Steel Back Pan
1020MAR	Return Grille, Steel Back Pan

FEATURES

- Steel construction
- 51% open free area perforated face
- Seismic support tabs
- (4) Air deflectors on MAS Models
- Molded R6 universal insulated back on 1010 Models
- Pristine white powder coat finish
- Optional molded R6 insulated back available on 1020 Models
- Optional butterfly damper
- Optional radial damper

Application • T-Bar Lay-In Ceilings

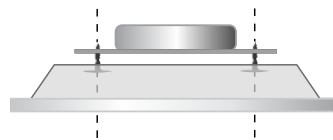
Recommended for • Commercial applications

R6 Insulated Back Shown with Collar
(Insulated with scored lines and fixed collar)



1010 MAS/MAR
Collar Mounting

Model 820
Ring Collar (sold separately)



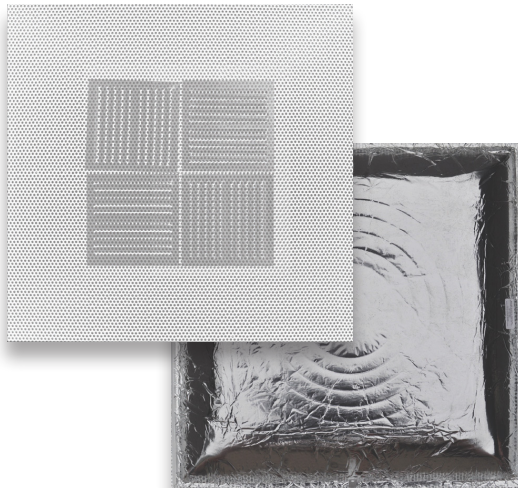
Universal Back
without Collar
(Molded R6 fiberglass
only, with scored lines)

Model 821
Push Pin Fasteners
(sold separately)



Model 1010MAS / MAR

With universal R6 fiberglass back



Reverse side shown

Model 1020MAS / MAR

With steel back and fixed collar



Reverse side shown



1110 / 1210 SERIES

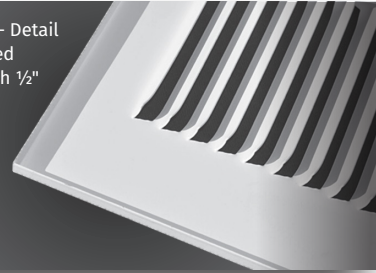
Precision and function for everyday living



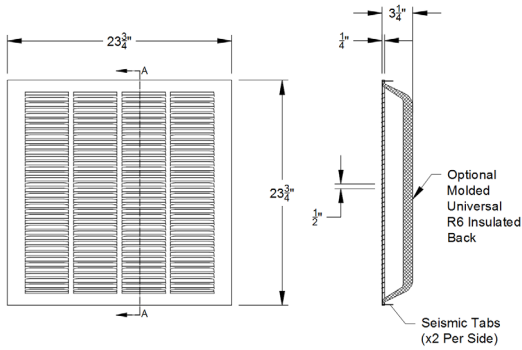
Stamped steel with 1/2" blade spacing

Steel fixed bar with 3/4" blade spacing

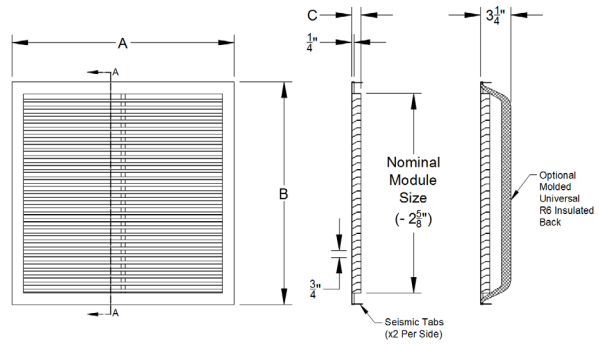
Model 1110RG – Detail view of stamped steel panel with 1/2" blade spacing



Model 1110RG

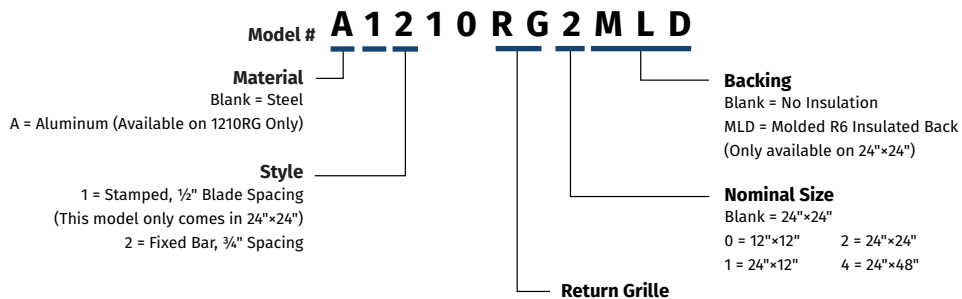


Model 1210RG



Nominal Module Size	Dimensions A			
	"A"	"B"	Model	
			1210RG "C"	A1210RG "C"
12"×12"	11 3/4"	11 3/4"	13/16"	1"
12"×24"	11 3/4"	23 3/4"	13/16"	1"
24"×24"	23 3/4"	23 3/4"	13/16"	1"
24"×48"	23 3/4"	47 3/4"	13/16"	1"

Model Number Specifications





SIDEWALL/CEILING GRILLES

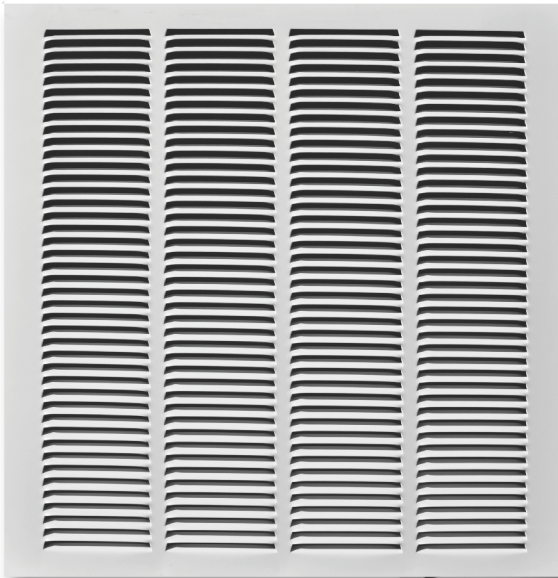
1110RG / 1210RG Series Lay-In Grille

Model	Description
1110RG	Steel Stamped Louver
1210RG	Steel Fixed Bar
A1210RG	Aluminum Fixed Bar

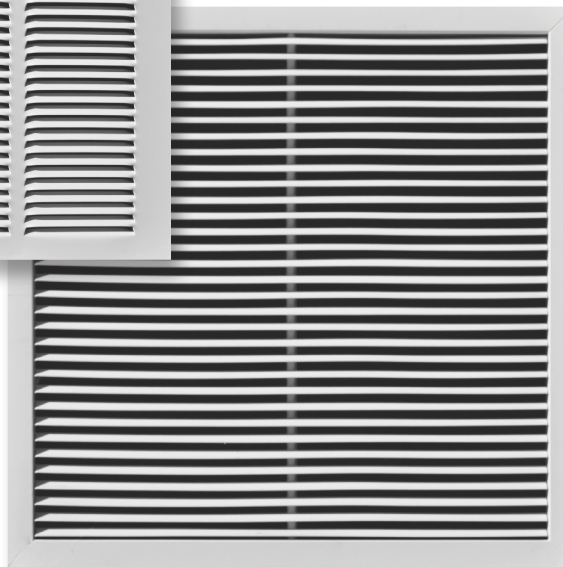
Application • T-Bar Lay-In Ceilings
Recommended for • Commercial applications

FEATURES

- Steel construction
- Optional aluminum construction on 1210RG series
- 1/2" stamped louver on 1110RG model
- 3/4" blade spacing on 1210RG series
- 15° blade pitch on steel 1210RG series
- 30° blade pitch on aluminum A1210RG series
- Optional R6 molded insulated back (only available on 12"×12" and 24"×24" models)
- Pristine white powder coat finish



Model 1110RG
Stamped Steel Panel

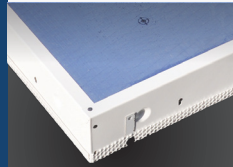


Model 1210RG /A1210RG
Fixed Bar Panel
15° Blade Pitch (1210RG)
30° symbol Blade Pitch (A1210RG)

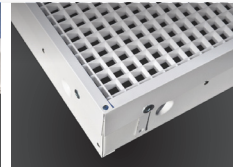


1120 / 1130 / 1140 SERIES

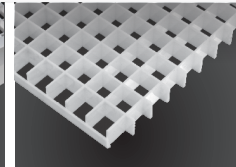
Precision and function for everyday living



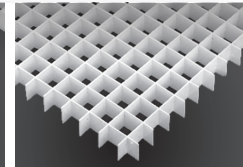
Optional ductboard back



Seismic support tabs

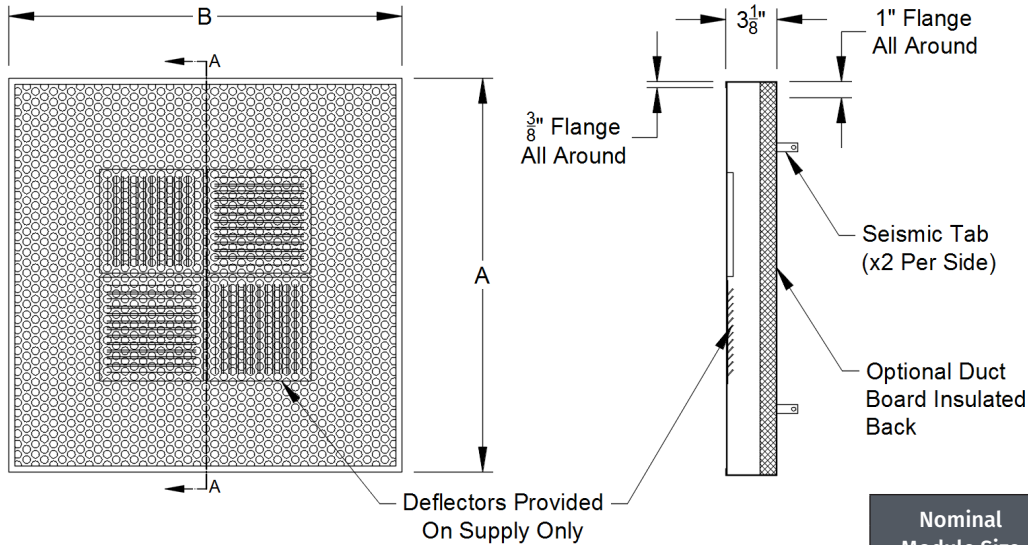


Acrylic Egg Crate



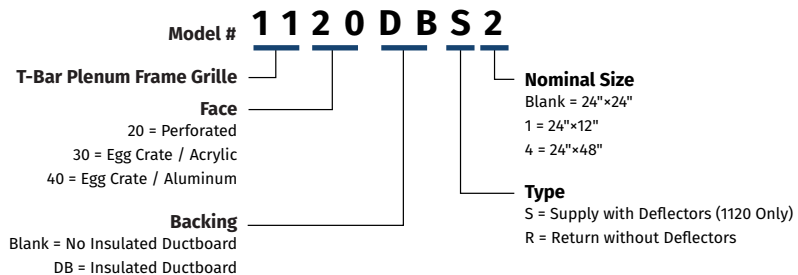
Aluminum Egg Crate

Model 1120 / 1130 / 1140



Nominal Module Size	Dimensions A	
	"A"	"B"
12"×24"	11 3/4"	23 3/4"
24"×24"	23 3/4"	23 3/4"
24"×48"	23 3/4"	47 3/4"

Model Number Specifications





SIDEWALL/CEILING GRILLES

1120 / 1130 / 1140 Series

Lay-In Plenum Frame

Model	Description
1120S	Steel Perforated Face Supply
1120R	Steel Perforated Face Return
1130R	Acrylic Egg Crate Face Return
1140R	Aluminum Egg Crate Face Return

FEATURES

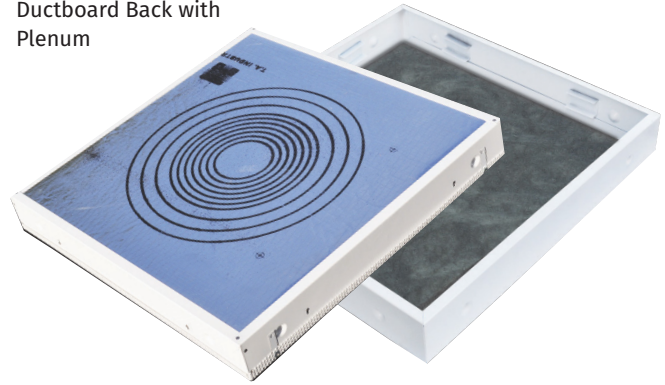
- Steel construction
- Perforated or Egg Crate face
- Perforated face with 51% open free area
- Air deflectors on supply
- Acrylic or aluminum Egg Crate
- Plenum frame design
- Available in 3 ceiling module sizes
- Pristine white powder coat finish
- Optional ductboard back
- Fixed Face

Application • T-Bar Lay-In Ceilings

Recommended for • Commercial applications

Universal Ductboard Option

Ductboard Back with Plenum

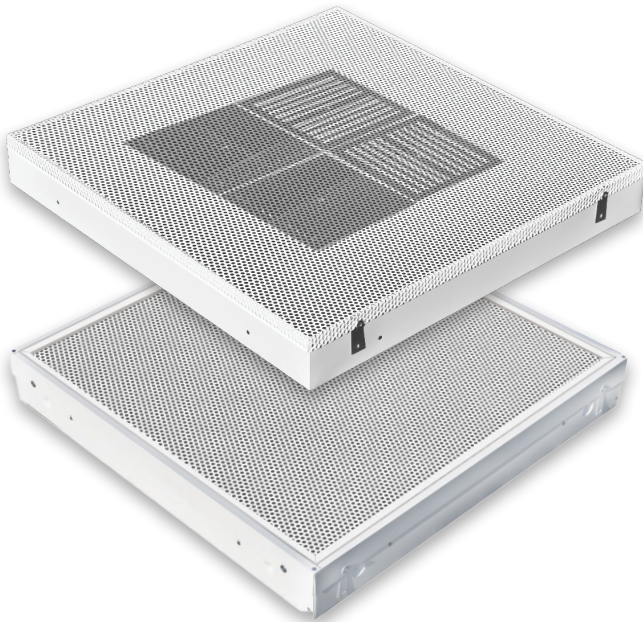


Model 1120S/1120R

Perforated Face

Plenum Frame Design

Shown with Supply Deflectors



Model 1130

Acrylic Egg Crate Face

Plenum Frame Design



Model 1140

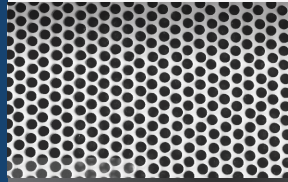
Aluminum Egg Crate Face

Plenum Frame Design

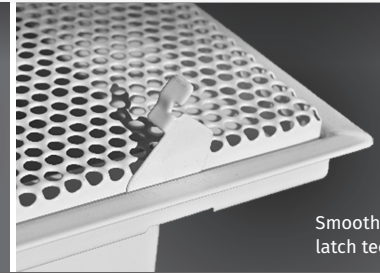


1400 SERIES

Precision and function for everyday living



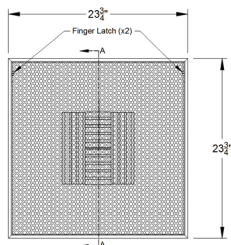
Steel perforated face
51% open area



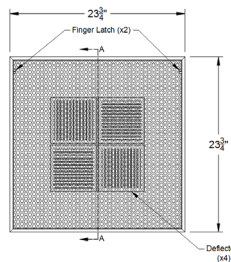
SmoothGlide™
latch technology

Model 1400

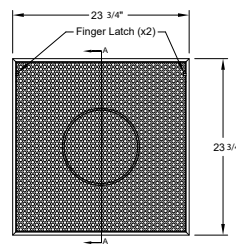
1400CB



1420AB

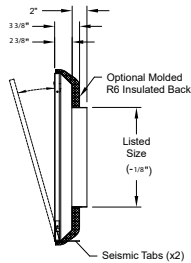
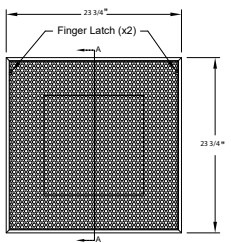


1444RG

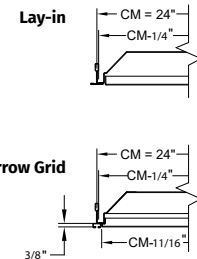
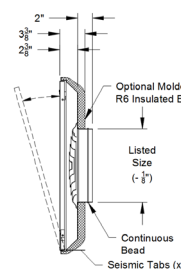
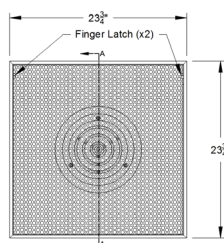


Narrow Grid
1400CB & 1444RG
models only

1455RG



1480RD



Model Number Specifications

Model # **1400CBFL08IN**

T-Bar Hinged Perforated Face Diffuser

Style

- 00CB = Curved Blade Supply
- 20AB = Deflector Supply
- 44RG = Round Neck Return
- 55RG = Square Neck Return
- 80RD = Round Supply

Fine Line

- Blank = Lay-In
- FL = Narrow Grid (Only Available on 1400CB and 1444RG)

R6 Insulation Option

- Blank = No Molded R6 Insulated Back
- IN = Molded R6 Insulated Back

Neck Size

- 06 = 6"Ø
- 08 = 8"Ø
- 10 = 10"Ø
- 12 = 12"Ø
- 14 = 14"Ø
- 16 = 16"Ø
- 18 = 18"Ø
- 20 = 20"Ø

14 = 14"×14" (Model 1455RG Only)



SIDEWALL/CEILING GRILLES

1400 Series

Lay-In Perforated Hinge Face Diffusers

Model	Description
1400CB	T-Bar Perforated Neck Mounted Curved Diffuser
1420AB	T-Bar Perforated Face Mounted Deflectors
1444RG	T-Bar Perforated Round Neck Grille
1455RG	T-Bar Perforated Square Neck Grille
1480RD	T-Bar Perforated Neck Mounted Round Diffuser

FEATURES

- Steel construction
- Seismic support tabs
- Hinged 51% free open area perforated face
- Narrow grid available on 1400CB and 1444RG Models
- Pristine white powder coat finish
- Optional molded R6 insulated back

Application • T-Bar Lay-In Ceilings

Recommended for • Commercial applications

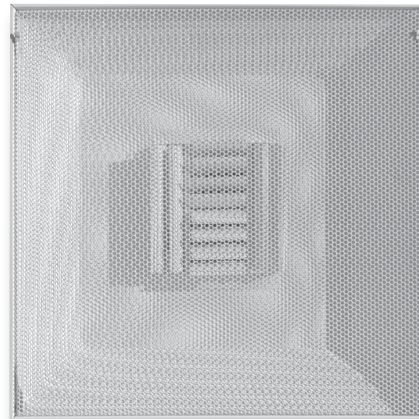
Model 1420AB

T-Bar Perforated Supply Diffuser with Face Mounted Rotating Deflectors



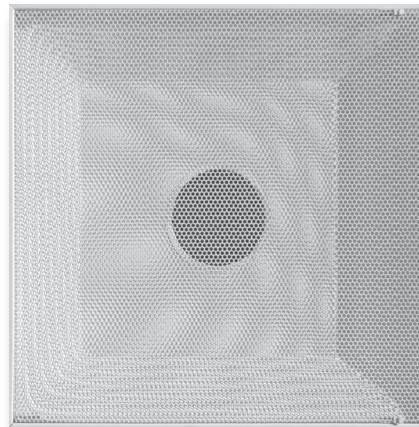
Model 1480RD

T-Bar Perforated with Neck Mounted Round Diffuser



Model 1400CB

T-Bar Perforated with Neck Mounted Curved Blade – Diffuser



Shown in open position

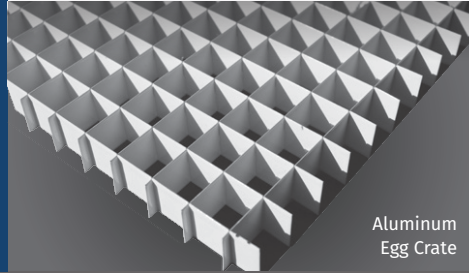
Model 1444RG

T-Bar Perforated Return Grille

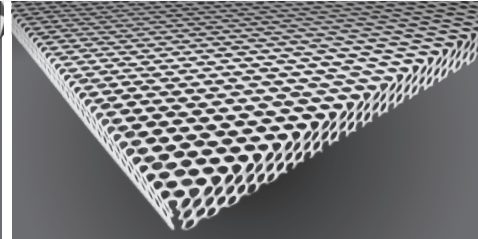


1900 SERIES

Precision and function for everyday living

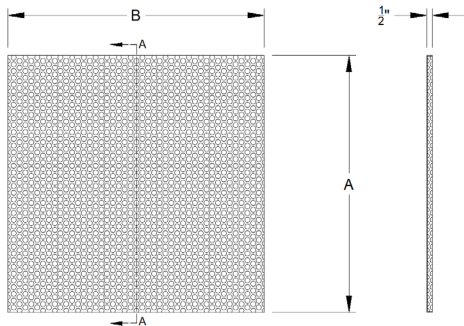


Aluminum Egg Crate



Perforated face

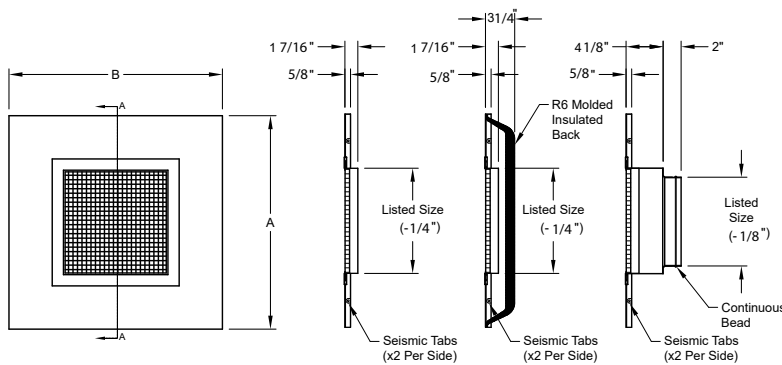
Model 1920RG & 1940



Nominal Module Size	Dimensions A	
	"A"	"B"
12"×12"	11 3/4"	11 3/4"
12"×24"	11 3/4"	23 3/4"
24"×24"	23 3/4"	23 3/4"
24"×48"	23 3/4"	47 3/4"

NOTE: Perforated face shown, all dimensions are typical for 1940.

Model 1970RG



Model Number Specifications

Model # **1930RG2**

Style
92 = Perforated Panel (Non-Ducted)
94 = Aluminum Egg Crate Panel (Non-Ducted)

Return Grille

Nominal Size
0 = 12"×12"
1 = 12"×24"
2 = 24"×24"
4 = 24"×48"

Model # **A1970RGSQ10**

Material
Blank = Steel
A = Aluminum

Style

Return Grille

Neck Size
06 = 6" 16 = 16"
08 = 8" 18 = 18"
10 = 10" 20 = 20"
12 = 12" 22 = 22"
14 = 14"

Neck Geometry
SQ = Square
RD = Round



SIDEWALL/CEILING GRILLES

1900 Series

Lay-In Egg Crate Grille

Model	Description
1920RG	Perforated Steel Panel
1940RG	Aluminum Egg Crate Panel
A1960RG	Aluminum Panel with Aluminum Egg Crate Core
1970RG	Steel Panel with Aluminum Egg Crate Core
A1970RG	Aluminum Panel with Aluminum Egg Crate Core

Application • T-Bar Lay-In Ceilings

Recommended for • Commercial applications

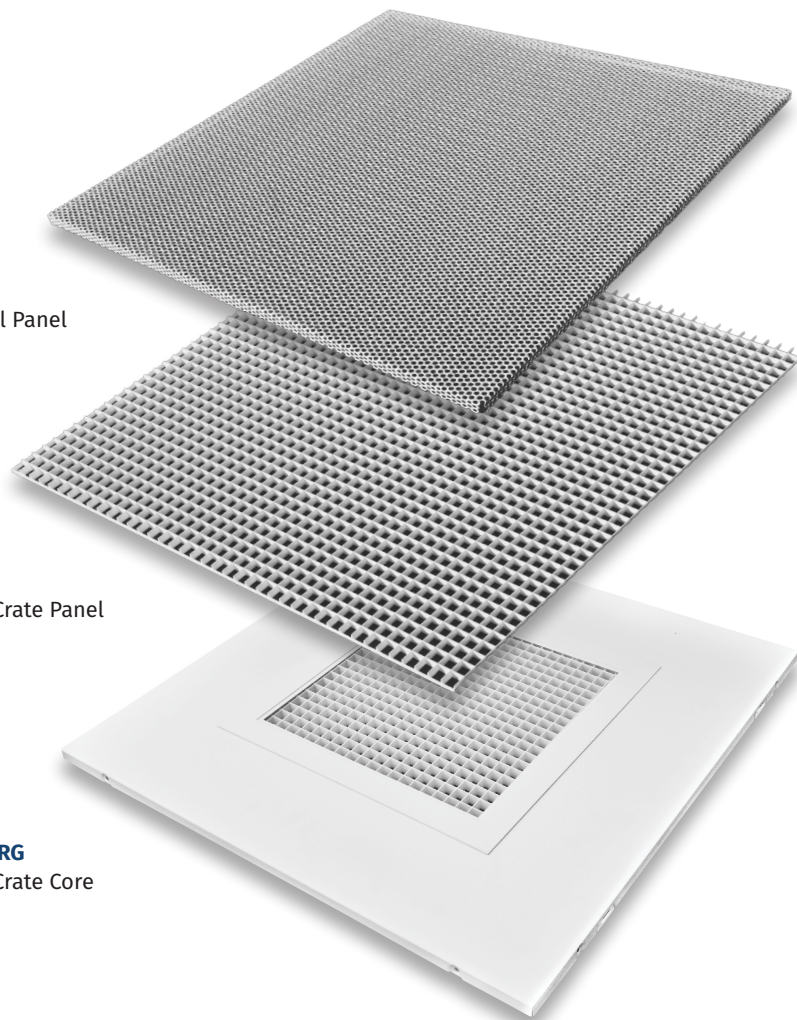
FEATURES

- Versatile face designs
- Steel or aluminum construction
- Optional R6 molded insulated back (Only available on 1960/1970 series)
- Pristine white powder coat finish (except aluminum Egg Crate)

Model 1920RG
Perforated Steel Panel

Model 1940RG
Aluminum Egg Crate Panel

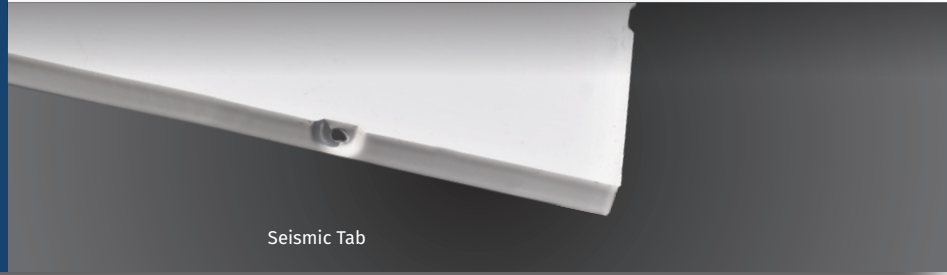
1970RG / A1970RG
Aluminum Egg Crate Core





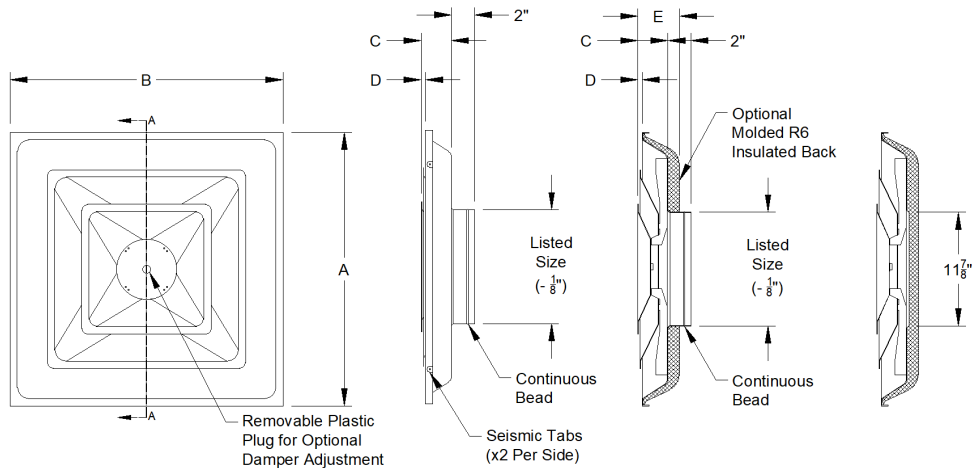
2000 SERIES

Precision and function for everyday living



Seismic Tab

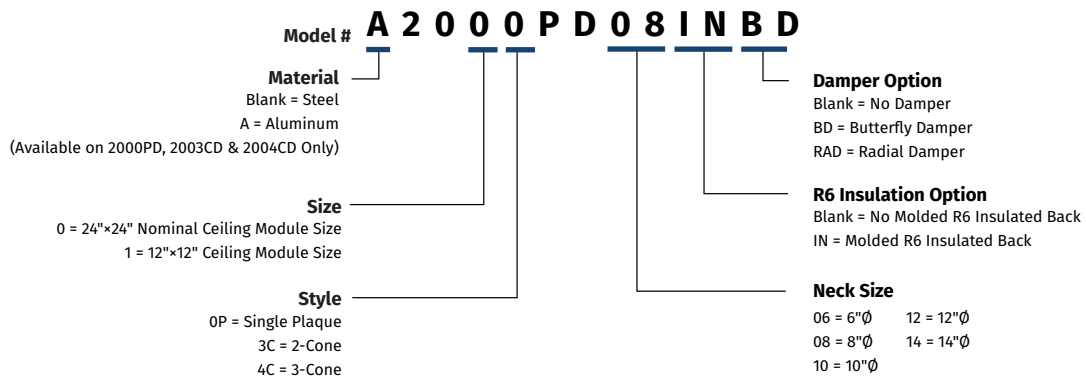
Model 2000PD / 2003CD / 2004CD / 2010PD / 2013PD



Nominal Module Size	Dimensions				
	"A"	"B"	"C"	"D"	"E"
12"×12"	11 3/4"	11 3/4"	1 1/4"	1/16"	2 1/4"
24"×24"	23 3/4"	23 3/4"	2 5/8"	3/8"	3 5/8"

NOTE: 2-Cone model shown, all dimensions are typical for single plaques and 3-Cone model

Model Number Specifications





SIDEWALL/CEILING GRILLES

2000 Series

Lay-In Plaque & Step Down Cone Diffuser

Model	Description
2010PD	12"x12" Steel Single Plaque Diffuser
2000PD	24"x24" Steel Single Plaque Diffuser
A2000PD	24"x24" Aluminum Single Plaque Diffuser
2003CD	24"x24" Steel 2-Cone Diffuser
A2003CD	24"x24" Aluminum 2-Cone Diffuser
2013CD	12"x12" Steel 2-Cone Diffuser
2004CD	24"x24" Steel 3-Cone Diffuser
A2004CD	24"x24" Aluminum 3-Cone Diffuser

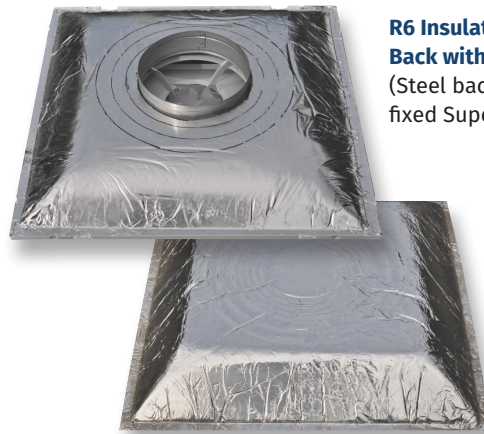
FEATURES

- Steel construction
- Aluminum construction on A2000PD, A2003CD and A2004CD
- Seismic support tabs
- ADC Compliant Bead on Collar
- Pristine white powder coat finish
- Optional molded R6 insulated back
- Optional butterfly damper
- Optional radial damper

Application • T-Bar Lay-In Ceilings

Recommended for • Commercial applications

2000PD/2003CD/2004CD Series Options

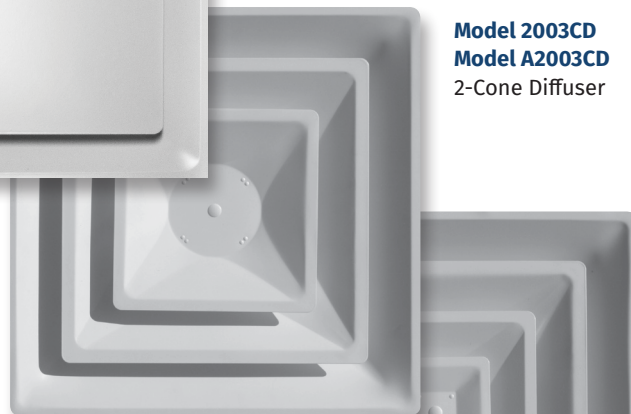


R6 Insulated Steel Back with Collar
(Steel back, R6 insulation, fixed Super-Collar)

R6 Insulated Steel Back without Collar



Model 2000PD
Model A2000PD
Single Plaque Diffuser



Model 2003CD
Model A2003CD
2-Cone Diffuser



Model 2004CD
Model A2004CD
3-Cone Diffuser



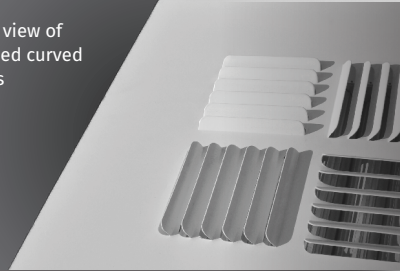
2600 SERIES

Precision and function for everyday living

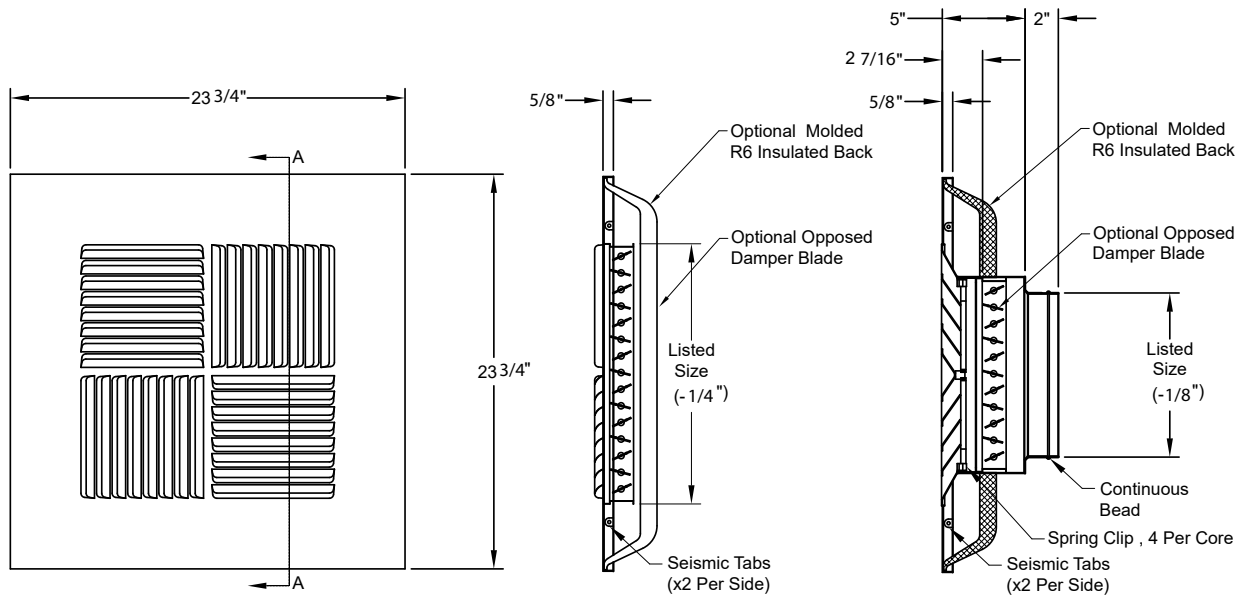
Optional opposed blade damper



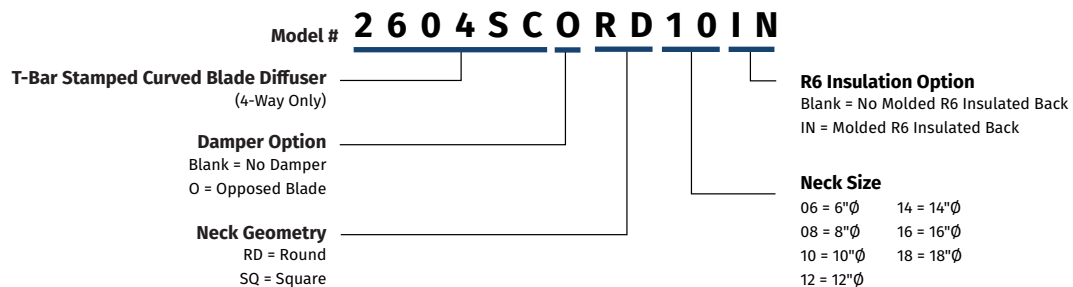
Detail view of stamped curved blades



Model 2604SC



Model Number Specifications





SIDEWALL/CEILING GRILLES

2600 Series

Lay-In Stamped Curved Blade Diffuser

Model	Description
2604SC	Curved Blade Diffuser – Steel Construction

FEATURES

- Steel construction
- Seismic support tabs
- Stamped curved blade
- Pristine white powder coat finish
- Optional molded R6 insulated back
- Optional opposed blade damper

Application • T-Bar Lay-In Ceilings

Recommended for • Commercial applications

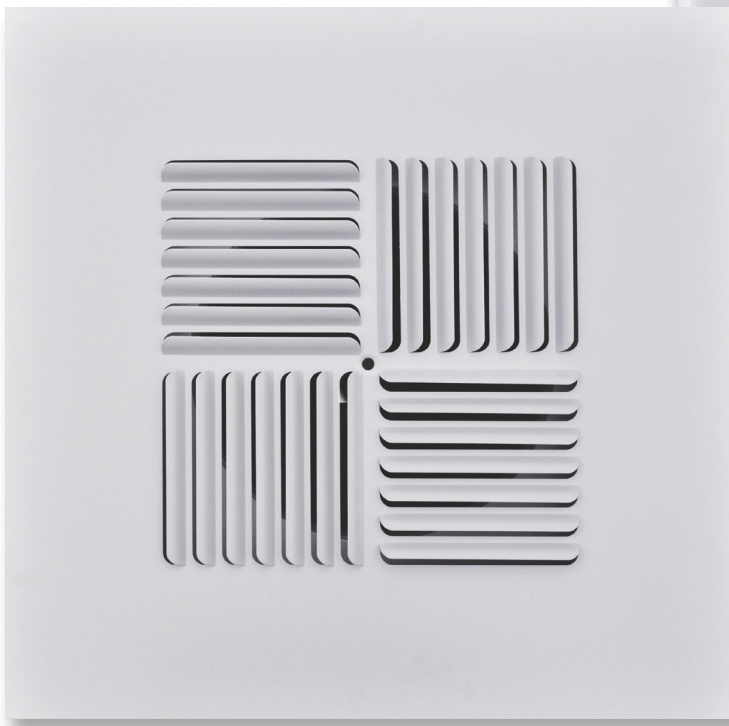
Opposed Blade Damper

With Traditional Square Neck Detail View – Model 2604SC Reverse side shown with Optional Opposed Blade Damper



Model 2604SC

Curved Blade Diffuser – Steel Construction

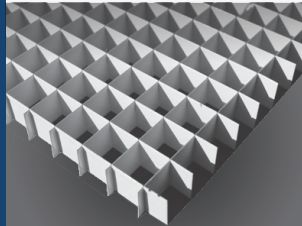


Model 2604SCRD
With Round Neck

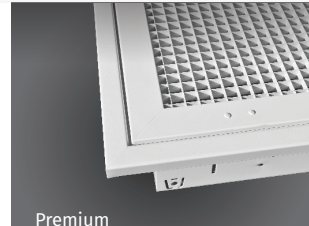


4000 SERIES

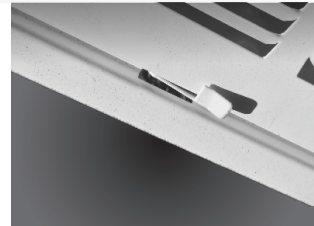
Precision and function for everyday living



Aluminum

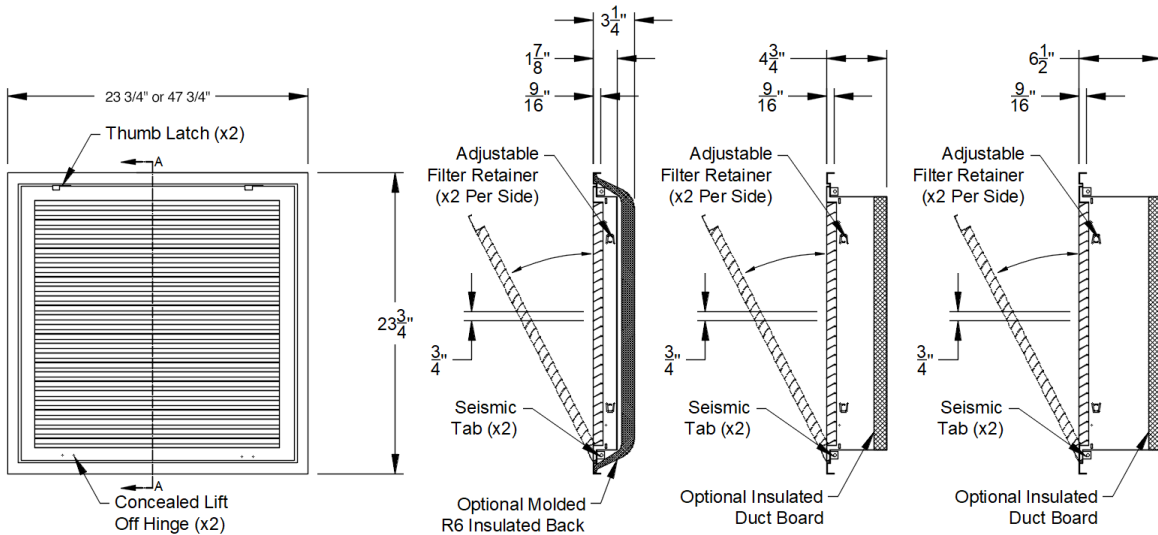


Premium Egg Crate



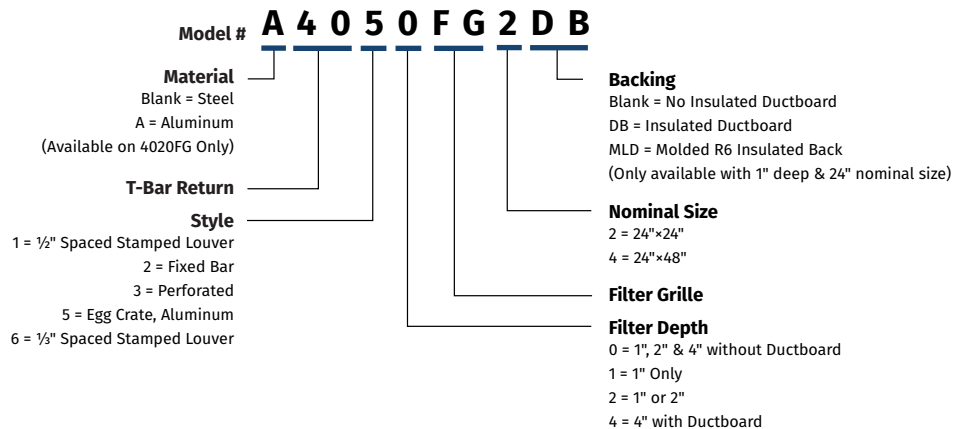
SmoothGlide™ latch

Model 4000 all models



NOTE: 4020FG/A4020FG shown; all dimensions are typical for 4010FG, 4030FG, 4040FG, 4050FG and 4060FG

Model Number Specifications





SIDEWALL/CEILING GRILLES

4000 Series

Lay-In Filter Grille

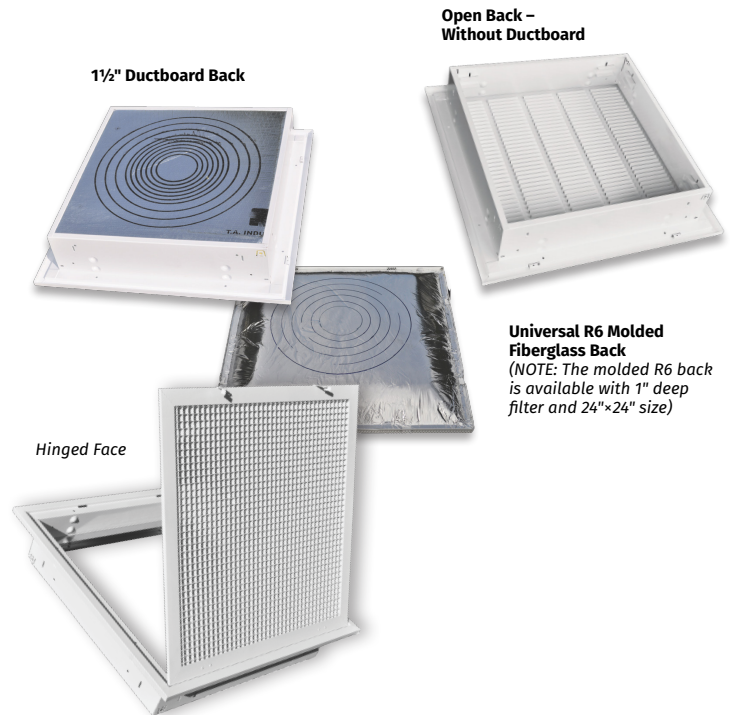
Model	Description
4010FG	1/2" Stamped Louver Face
4060FG	1/3" Stamped Louver Face
4020FG	Steel Fixed Bar Face, 15° Blade Pitch
A4020FG	Aluminum Fixed Bar Face, 30° Blade Pitch
4030FG	Perforated Face
4050FG	Aluminum Egg Crate Face

FEATURES

- Steel construction
- Aluminum construction on A4020FG
- Removable hinged face
- 5 face styles
- 1", 2" or 4" deep filter options
- 2 available sizes
- SmoothGlide™ Finger Latches
- Pristine white powder coat finish
- Optional molded R6 insulated back on filter Option 1
- Optional ductboard back on filter Options 1, 2, and Option 4

Application • T-Bar Lay-In Ceilings

Recommended for • Commercial applications



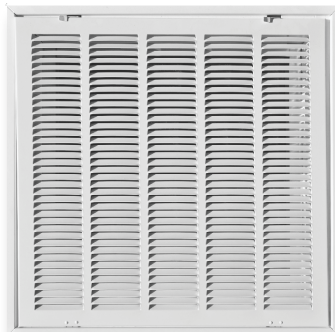
1 1/2" Ductboard Back

Open Back –
Without Ductboard

Universal R6 Molded
Fiberglass Back

(NOTE: The molded R6 back is available with 1" deep filter and 24"x24" size)

Hinged Face



Model 4010FG

Stamped Face Return:
1/2" Fins

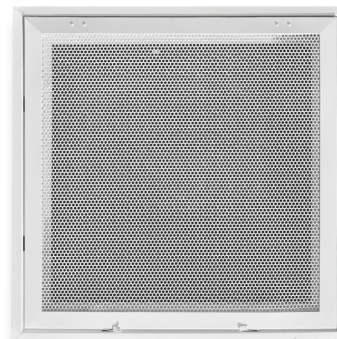
Model 4060FG

Stamped Face Return:
1/3" Fins

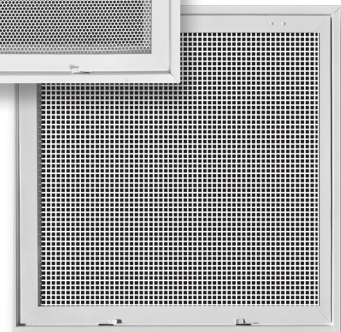


Model 4020FG

Model A4020FG
Fixed Bar Return
Air Filter Grille



Model 4030FG
Perforated Face
Return Air
Filter Grille



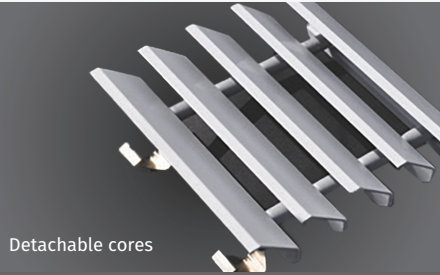
Model 4050FG
Egg Crate Return
Air Filter Grille

NOTE: Filters are not included with return air filter grilles.

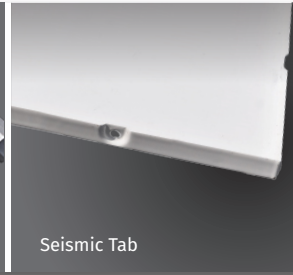


5200 SERIES

Precision and function for everyday living

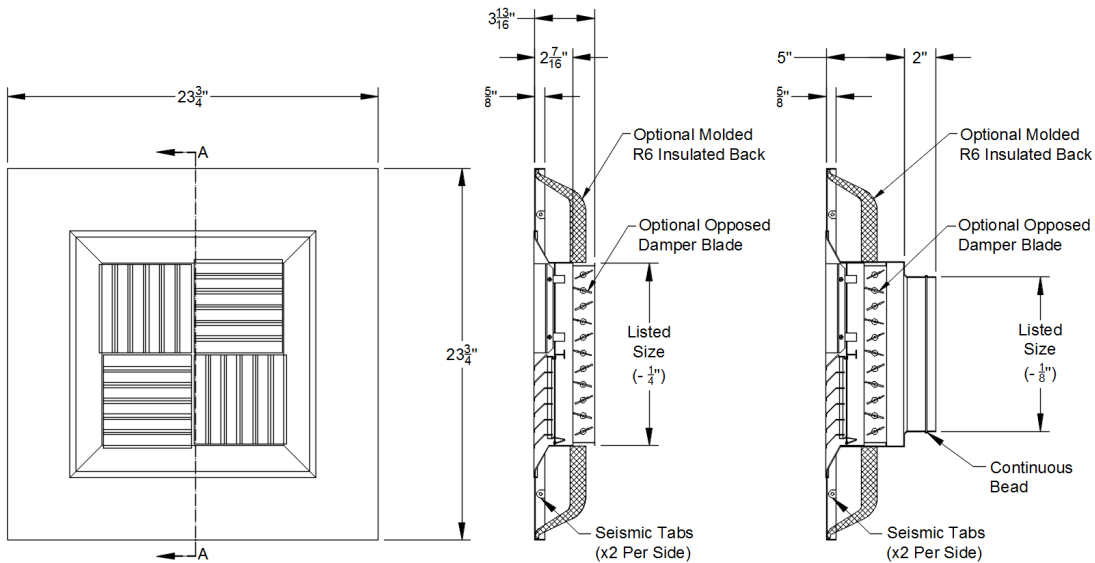


Detachable cores

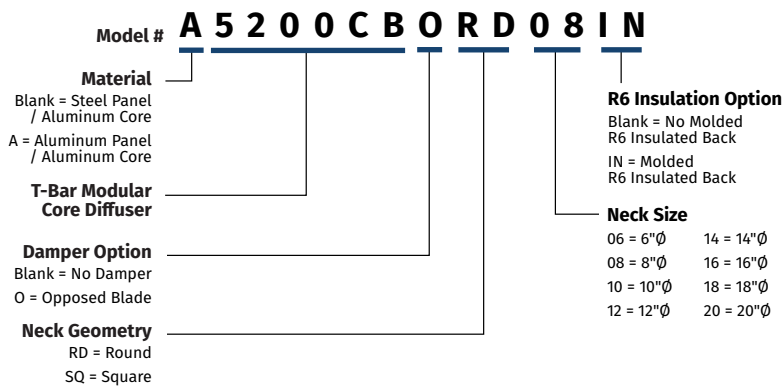


Seismic Tab

Model 5200CB



Model Number Specifications



Field configurable throw patterns:





SIDEWALL/CEILING GRILLES

5200 Series

Lay-In Modular Core Diffuser

Model	Description
5200CB	Aluminum Diffuser/Steel Panel
A5200CB	Aluminum Diffuser/Aluminum Panel

FEATURES

- Extruded aluminum core
- Available with either steel or aluminum panel
- Field configurable throw patterns; one, two, three or four way
- Pristine white powder coat finish
- Optional molded R6 insulated back
- Optional opposed blade damper
- Optional square-to-round

Application • T-Bar Lay-In Ceilings

Recommended for • Commercial applications

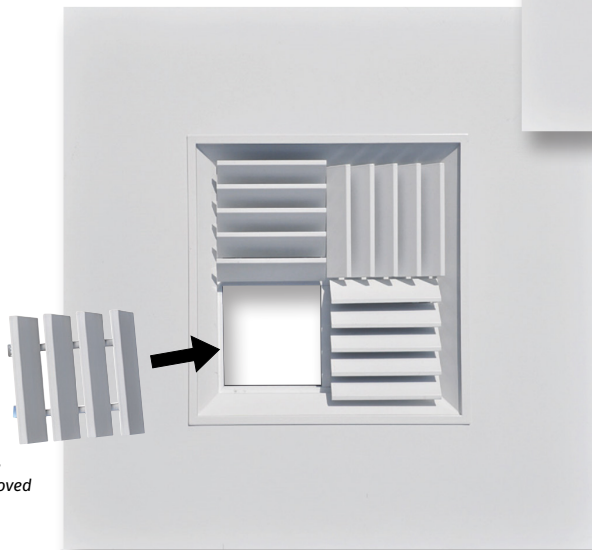
Model 5200CB

Aluminum Core – Steel Panel



Model A5200CB

Aluminum Core – Aluminum Panel

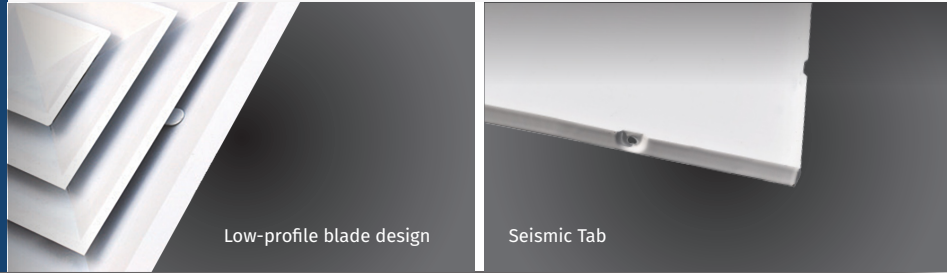


Shown with core component removed



5400 SERIES

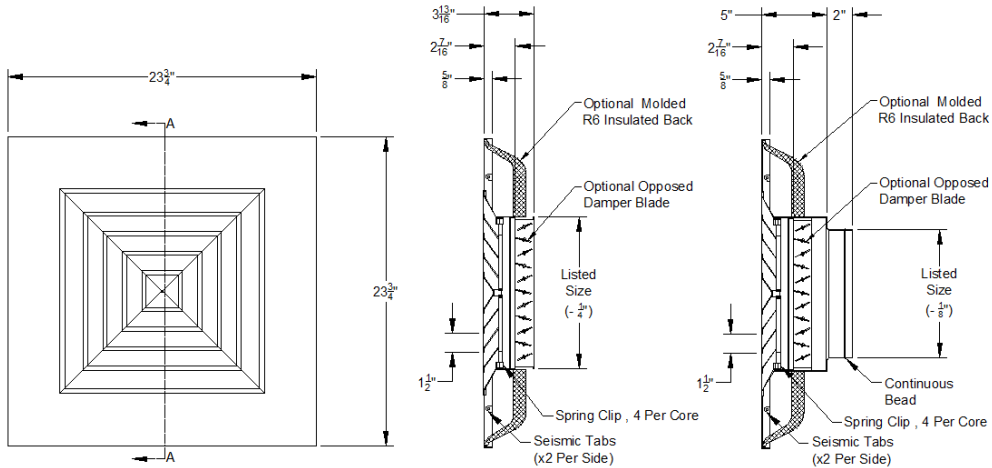
Precision and function for everyday living



Low-profile blade design

Seismic Tab

Model 5400 all models



5404 shown; all dimensions are typical.

Model Number Specifications

Model # **A 5 4 0 4 S D O R D 0 8 I N**

Material

Blank = Steel Panel / Aluminum Core
A = Aluminum Panel / Aluminum Core

T-Bar Directional Diffuser

Throw Directions

- 1 = 1-Way
- 2 = 2-Way Parallel
- 3 = 3-Way
- 4 = 4-Way
- 5 = 2-Way Corner

Square Diffuser

Damper Option

Blank = No Damper
O = Opposed Blade Damper

R6 Insulation Option

Blank = No Molded R6 Insulated Back
IN = Molded R6 Insulated Back

Neck Size

- 06 = 6"Ø 14 = 14"Ø
- 08 = 8"Ø 16 = 16"Ø
- 10 = 10"Ø 18 = 18"Ø
- 12 = 12"Ø 20 = 20"Ø

Neck Geometry

RD = Round
SQ = Square

Available throw patterns:

- 1-Way 
- 2-Way Parallel 
- 3-Way 
- 4-Way 
- 2-Way Corner 



SIDEWALL/CEILING GRILLES

5400 Series

Lay-In Directional Diffuser

Model	Description
5401	1-Way Throw, Aluminum Diffuser/Steel Panel
5402	2-Way Parallel Throw, Aluminum Diffuser/Steel Panel
5403	3-Way Throw, Aluminum Diffuser/Steel Panel
5404	4-Way Throw, Aluminum Diffuser/Steel Panel
5405	2-Way Corner Throw, Aluminum Diffuser/Steel Panel
A5401	1-Way Throw Aluminum Diffuser/Aluminum Panel
A5402	2-Way Parallel Throw Aluminum Diffuser/ Aluminum Panel
A5403	3-Way Throw Aluminum Diffuser/Aluminum Panel
A5404	4-Way Throw Aluminum Diffuser/Aluminum Panel
A5405	2-Way Corner Throw Aluminum Diffuser/ Aluminum Panel

FEATURES

- Extruded aluminum core
- Available with steel or aluminum panel
- 5 air throw patterns
- Removable center core
- Pristine white powder coat finish
- Optional molded R6 insulated back
- Optional opposed blade damper

Application • T-Bar Lay-In Ceilings

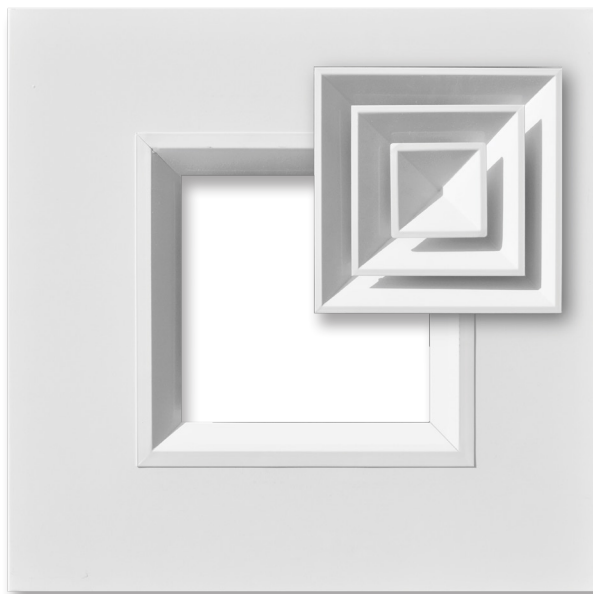
Recommended for • Commercial applications

Model 5400SD

Aluminum Core / Steel Panel

Model A5400SD

Aluminum Core / Aluminum Panel
4-Way Deflection (Shown with
blades removed)



Easy-to-change modular blades are interchangeable. Choose from air throw patterns below.

NOTE: Model 5404SD is most common.

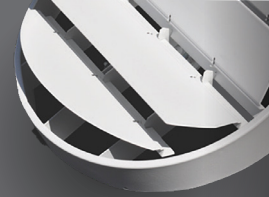


880 SERIES

Precision and function for everyday living



3-tier step-down

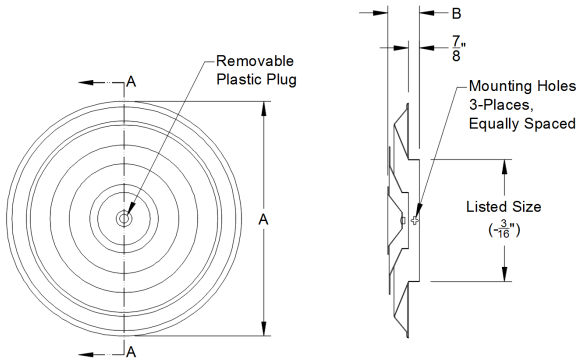


Durable louvered design



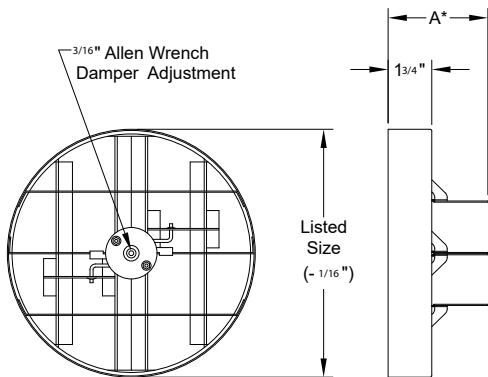
360° pattern, horizontal to vertical pattern change

Model 880

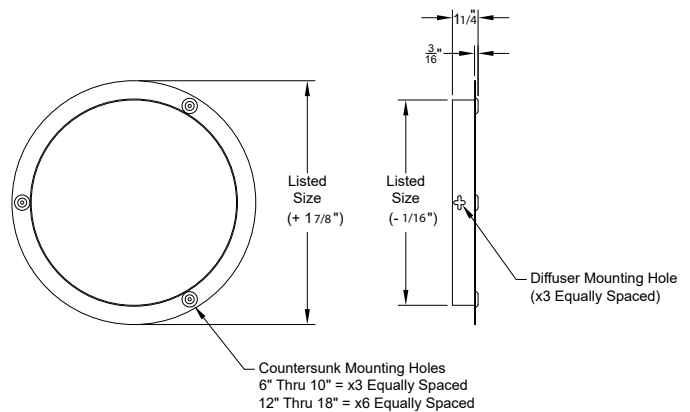


Nominal Size	Dimensions	
	"A"	"B"
6"	11 1/4"	2 1/2"
8"	14 3/4"	2 1/2"
10"	18 1/2"	2 1/2"
12"	22"	3 3/8"
14"	25 1/4"	4"
16"	28 3/4"	4 3/8"
18"	32 1/4"	4 3/4"

MODEL 881



MODEL 883





SIDEWALL/CEILING SUPPLY GRILLES & REGISTERS

880 Series Steel Round Ceiling Diffuser – Duct Mounted

Model	Description
880	Round Commercial Diffuser
881	Round Opposed Blade Damper
883	Round Surface Mount Ring

FEATURES

- Steel construction
- Uniform 360° airflow pattern
- Removable center core
- Pristine white powder coat finish
- Optional surface mount ring
- Optional opposed blade damper

Application • Ceilings, surface mount and exposed duct

Recommended for • Commercial applications

Model 880

Round Commercial Diffuser

FRONT SIDE

PROFILE VIEW

Model 881

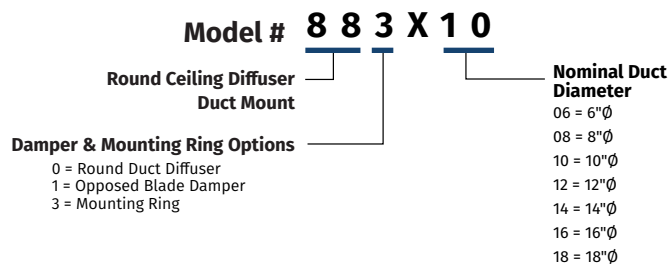
Round Opposed Blade Damper

Model 883

Round Surface Mount Ring



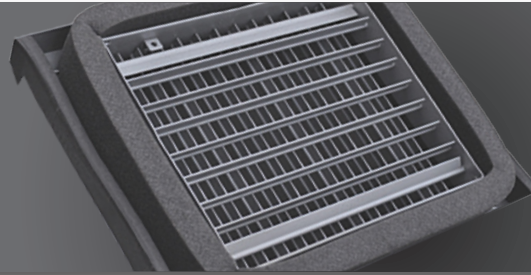
Model Number Specifications





SU SERIES

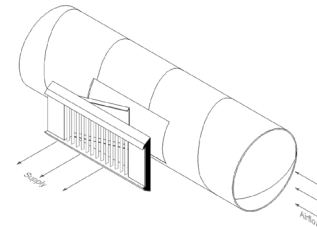
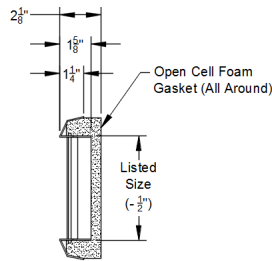
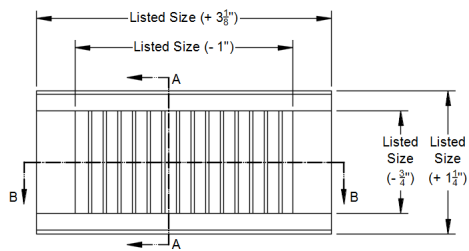
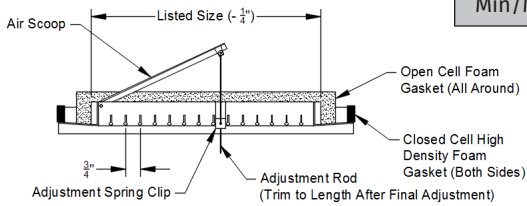
Precision and function for everyday living



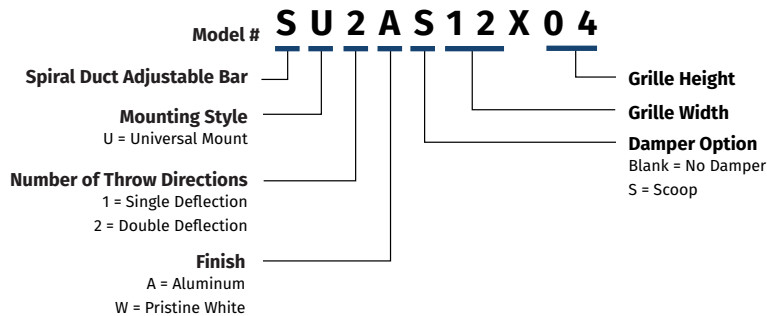
Reverse side of Universal Model showing thick foam

Model SU / SU1 / SU2

Duct Diameter (inches)	Model SU Minimum / Maximum Duct Diameters					
	Grille Height (inches)					
	3	4	6	8	10	12
Min/Max	10/36"	10/36"	12/36"	20/36"	24/36"	24/36"



Model Number Specifications





SIDEWALL/CEILING GRILLES

SU Series Universal Mount Spiral Duct Grille

Model	Description
SU1A	Single Deflection Aluminum Gray
SU1AS	Single Deflection Aluminum Gray with Scoop
SU1W	Single Deflection Pristine White
SU1WS	Single Deflection Pristine White with Scoop
SU2W	Double Deflection Pristine White Gray
SU2WS	Double Deflection Pristine White with Scoop
SU2A	Double Deflection Aluminum Gray
SU2AS	Double Deflection Aluminum Gray with Scoop

FEATURES

- Aluminum construction
- SU1 is single deflection with individually adjustable vertical blades
- SU2 is double deflection with individually adjustable blades with vertical front blades
- 3/4" blade spacing
- Open cell foam gasket for airtight seal
- Pristine white or aluminum powder coat finishes
- Optional scoop damper

Application • Exposed Duct

Recommended for • Commercial applications

Available Finishes:



AL Aluminum



BLANK White

SU Series Options

Optional Scoop Damper

An optional air scoop is available to divert a portion of the airstream out through the register



Detail View of Scoop Option

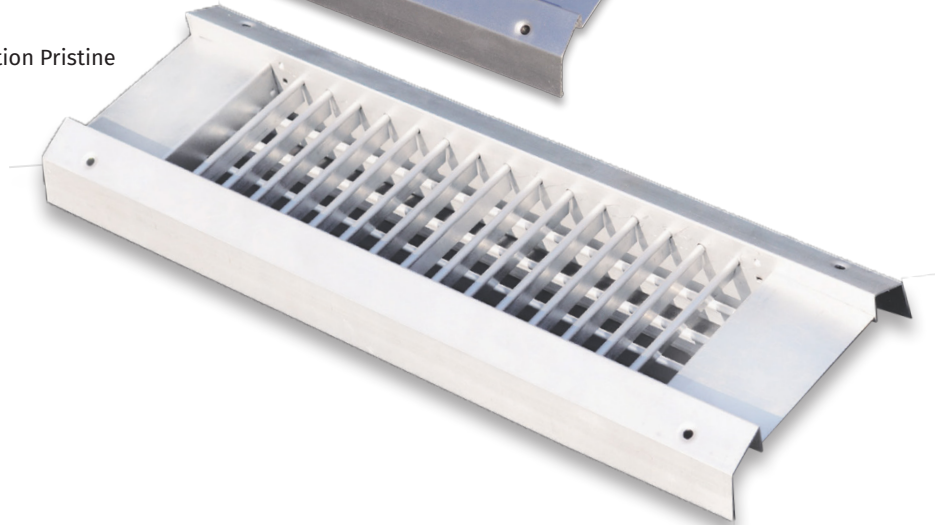
Model SU1A

Single Deflection
Aluminum Finish



Model SU2W

Double Deflection Pristine
White Finish

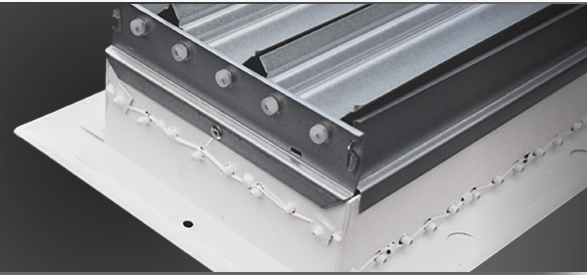




SD SERIES

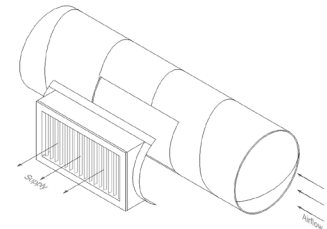
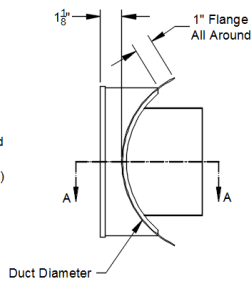
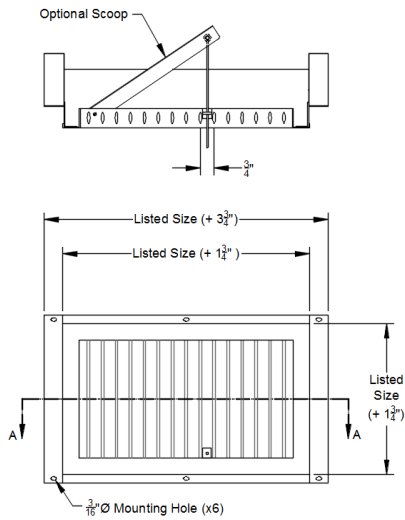
Precision and function for everyday living

Optional opposed blade damper

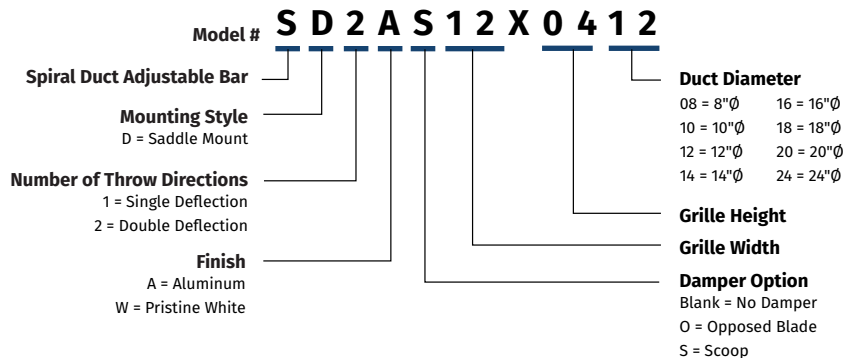


Model SD / SD1 / SD2

Duct Diameter (inches)	Model SD Minimum Grille Height (inches)				
	4	6	8	10	12
Min	8"	10"	12"	14"	16"



Model Number Specifications





SIDEWALL/CEILING GRILLES

SD Series

Saddle Mount Spiral Duct Grille

Model	Description
SD1A	Single Deflection Aluminum Grey
SD1AO	Single Deflection Aluminum Grey Finish with OBD
SD1AS	Single Deflection Aluminum Grey with Scoop
SD2W	Double Deflection Pristine White Finish
SD2WO	Double Deflection Pristine White with OBD
SD2WS	Double Deflection Pristine White with Scoop

FEATURES

- Aluminum construction
- Galvanized saddle construction
- 3/4" blade spacing
- SD1 is single deflection with individually adjustable vertical blades
- SD2 is double deflection with individually adjustable blades with vertical front blades
- Pristine white or aluminum powder coat finishes
- Optional scoop damper
- Optional opposed blade damper

Application • Exposed Duct

Recommended for • Commercial applications

Available Finishes:



AL Aluminum



BLANK White

SD Series Options

Optional Scoop Damper

An optional air scoop is available to divert a portion of the airstream out through the register.

Detail View of Scoop Option



Detail View of Opposed Blade Damper Option

Model SD1AO

Saddle Type
Single Deflection
Aluminum Grey Finish



Profile View showing rounded saddle style

Model SD2W

Saddle Type
Double Deflection
Pristine White Finish

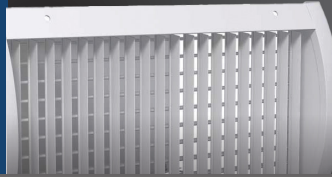




Precision and function for everyday living

SF SERIES

Powder coat finish

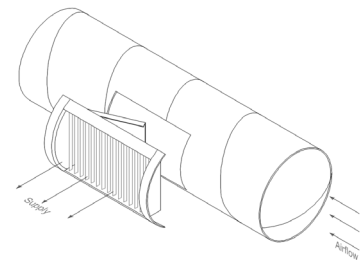
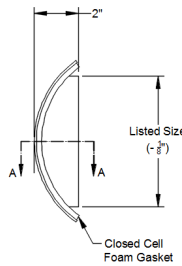
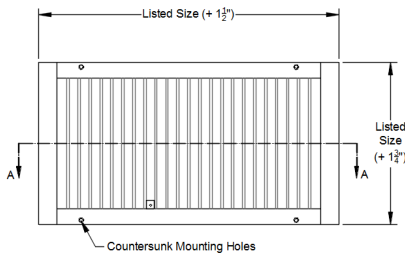
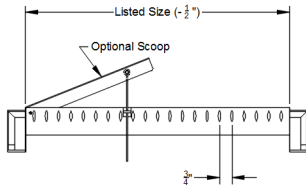


Aluminum finish

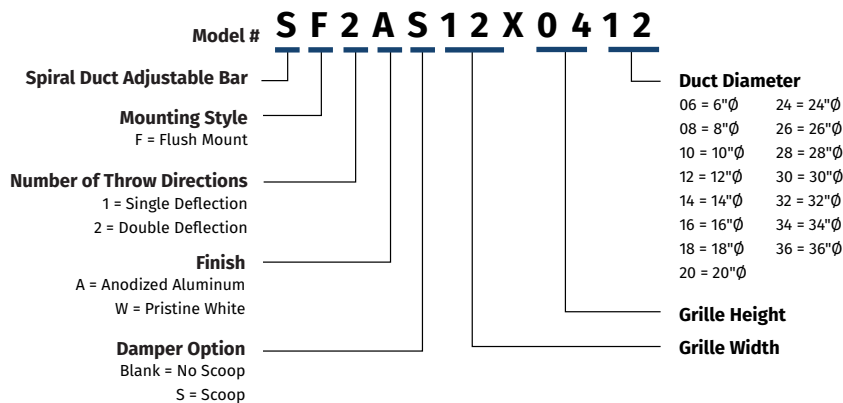


Model SF / SF2

Duct Diameter (inches)	Model SF Minimum Grille Height (inches)					
	3	4	6	8	10	12
Min	6"	8"	10"	12"	14"	16"



Model Number Specifications





SIDEWALL/CEILING GRILLES

SF Series

Flush Mount Spiral Duct Grille

Model	Description
SF1AN	Single Deflection Anodized Aluminum
SF1ANS	Single Deflection Anodized Aluminum with Scoop
SF1W	Single Deflection Pristine White
SF1WS	Single Deflection Pristine White with Scoop
SF2AN	Double Deflection Anodized Aluminum
SF2ANS	Double Deflection Anodized Aluminum with Scoop
SF2W	Double Deflection Pristine White
SF2WS	Double Deflection Pristine White with Scoop

FEATURES

- Aluminum construction
- SF1 is single deflection with individually adjustable vertical blades
- SF2 is double deflection with individually adjustable blades with vertical front blades
- Foam gasket for airtight seal
- 3/4" blade spacing
- Pristine white powder coat finish or anodized aluminum
- Optional scoop damper

Application • Exposed Duct

Recommended for • Commercial applications

Available Finishes:



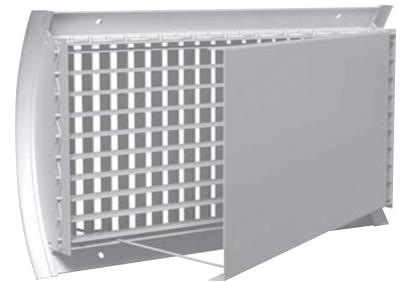
AN Aluminum



BLANK White

SF Series Options

Optional Scoop Damper
An optional air scoop is available to divert a portion of the airstream out through the register.



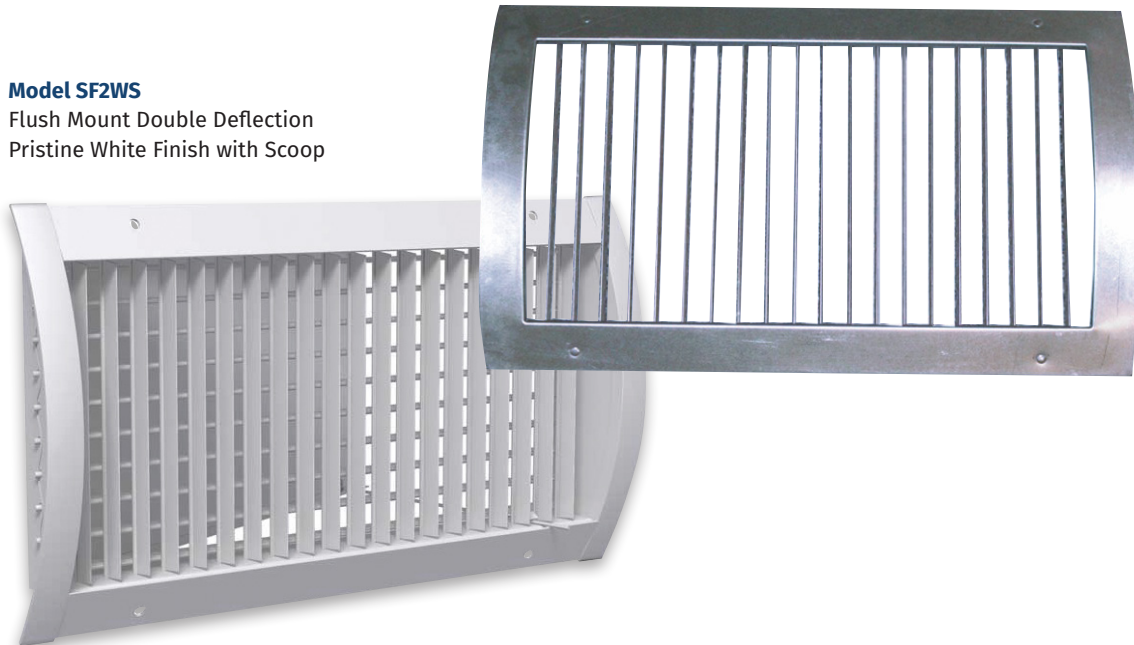
Detail View of Scoop Option

Model SF1AN

Flush Mount Single Deflection
Aluminum Finish

Model SF2WS

Flush Mount Double Deflection
Pristine White Finish with Scoop



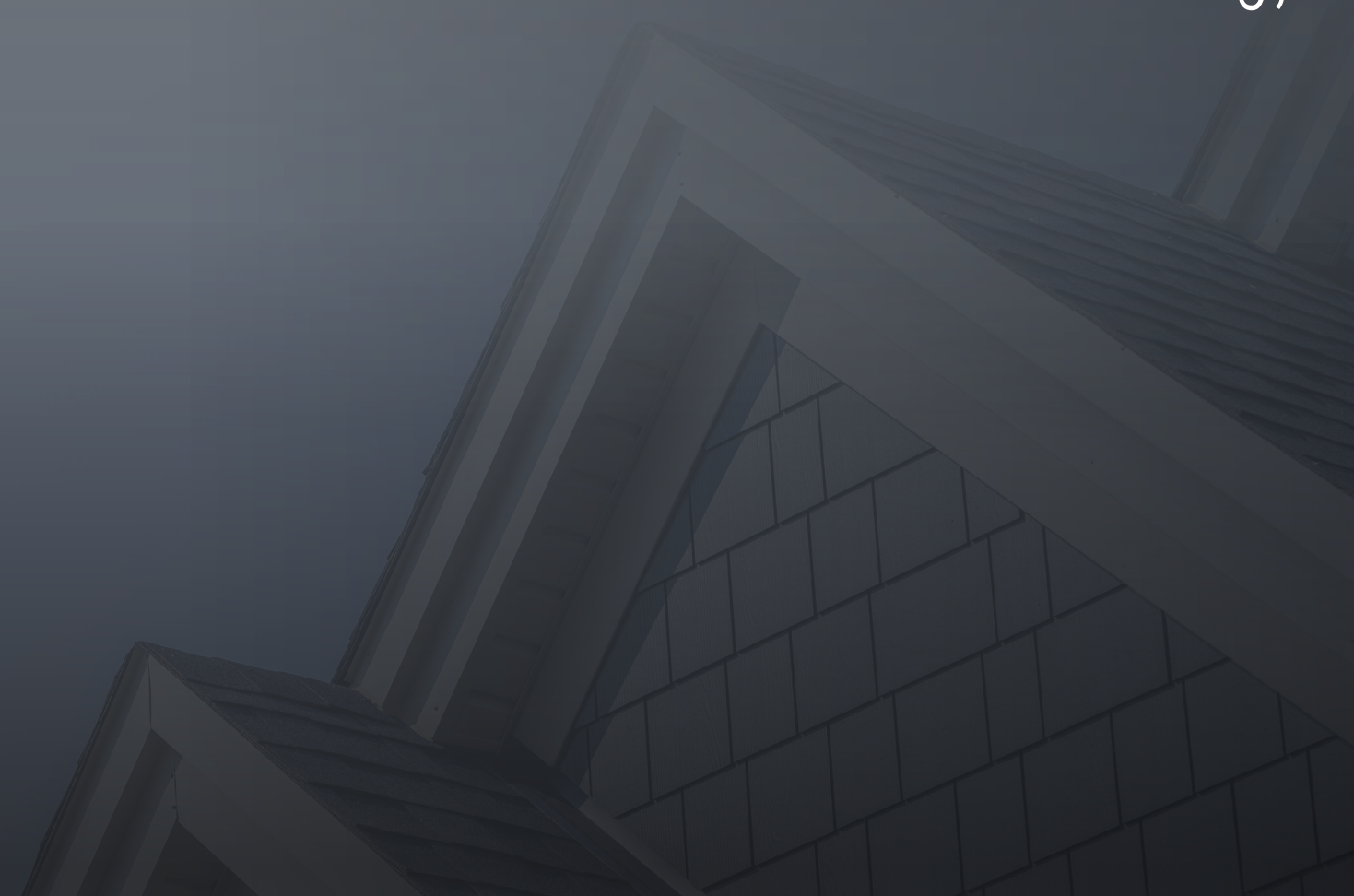
TRUaire Accessories

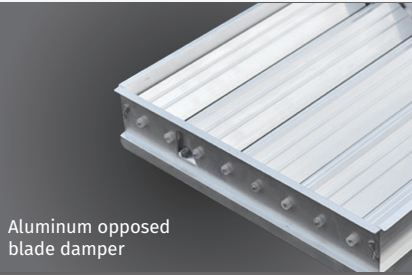
Round Ceiling Diffuser

Butterfly Dampers

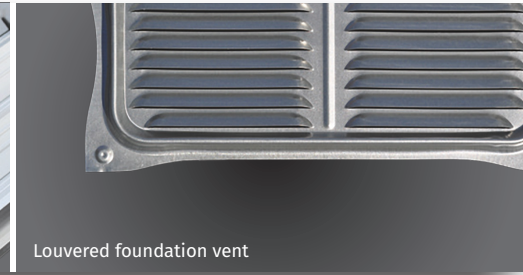
Radial Dampers

Mounting Frames





Aluminum opposed blade damper



Louvered foundation vent

Model 801 Steel Round Ceiling Diffuser

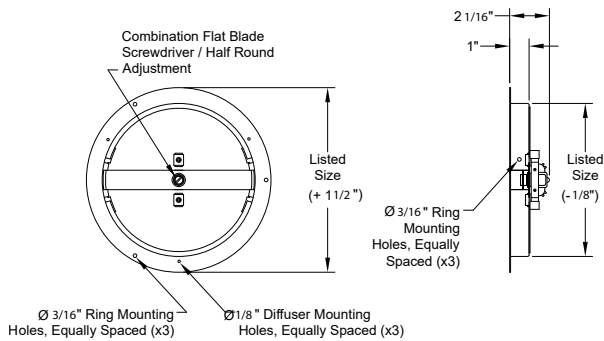
Model	Description
801	Butterfly Damper & Installation Ring

Application • Ceilings

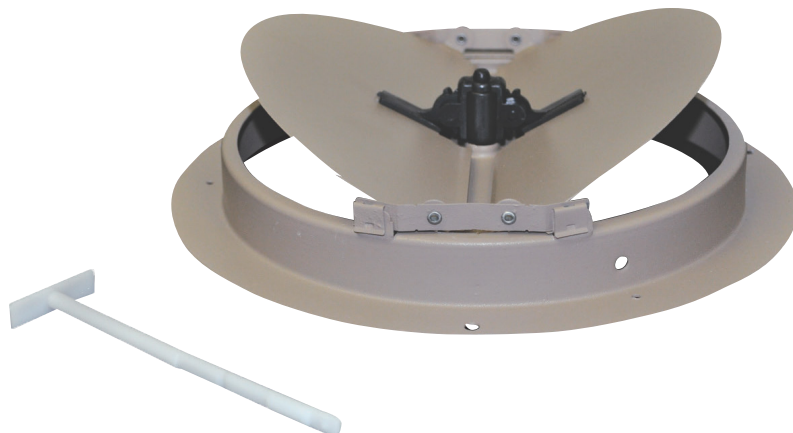
Recommended for • Residential applications

FEATURES

- Steel construction
- Countersunk screw holes
- Pristine white powder coat finish
- Optional butterfly damper



Model 801
Butterfly Damper & Installation Ring

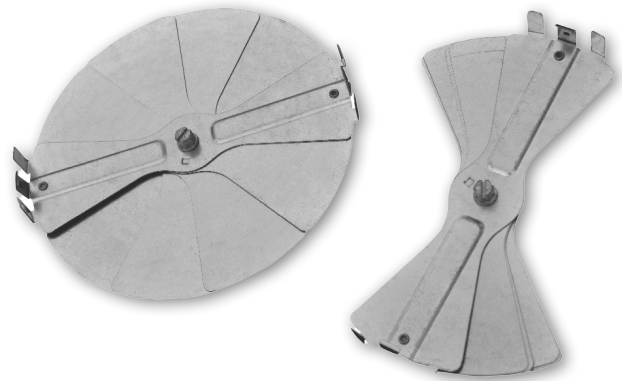
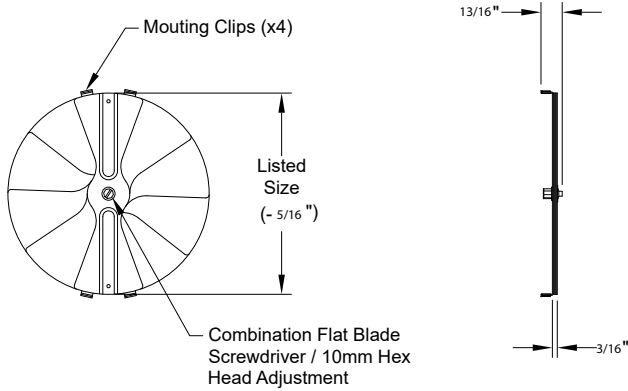


Model 804

Radial Damper

Model	Description
804	Radial Damper

Application • Mounts to neck of T-bar Diffusers
Recommended for • Commercial applications

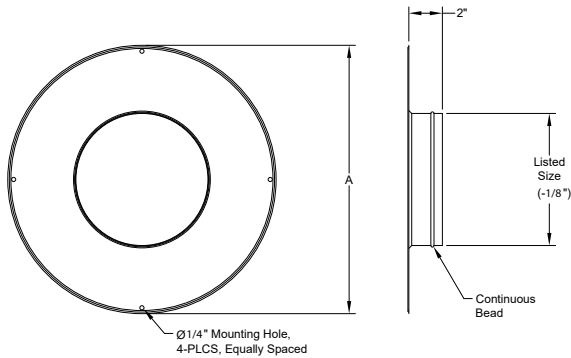


Model 820

Ring Collar

Model	Description
820	Ring Collar

Application • Mounts to back of lay-in diffusers and grilles
Recommended for • Commercial applications

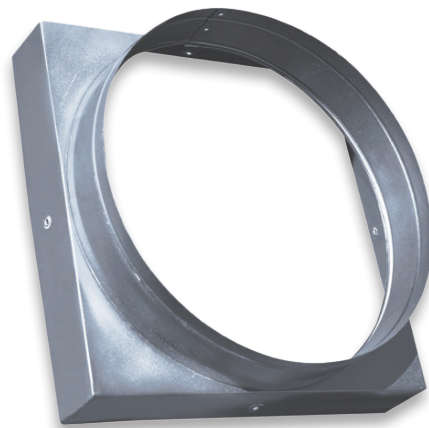
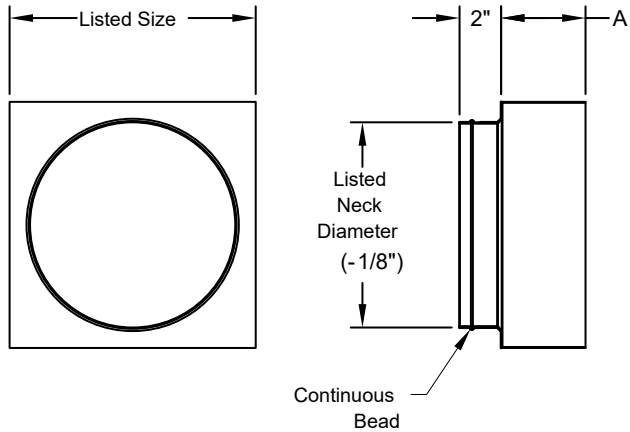


Model SQRD Square to Round Transition

Model	Description
SQRD	Square to Round Transition

Application • Installation of round or flexible duct to square neck diffusers

Recommended for • Commercial applications



Damper Option	Dimension A
W/O OBD	1/2"
W/OBD	4"

Model 821 Push Pin Fasteners

Model	Description
821	Push Pin Fasteners

Application • Used to mount 820 ring collars

Recommended for • Commercial applications

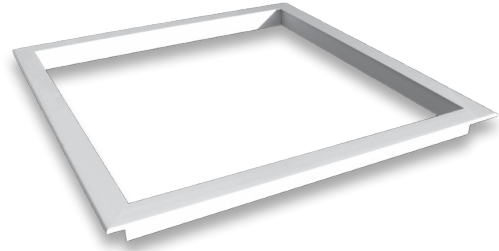
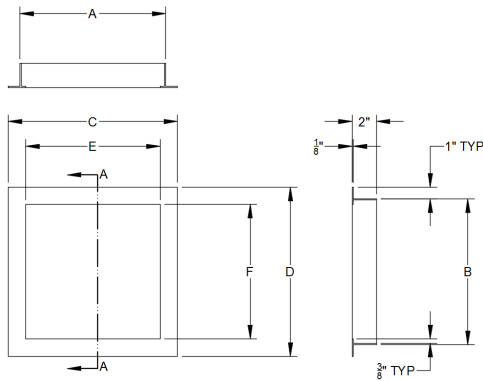


Model 5000XF

Surface Mounting Frame

Model	Description
5000XF	Surface Mounting Frame

Application • Allows T-Bar Lay-In diffusers to be installed in surface mounting applications
Recommended for • Commercial applications



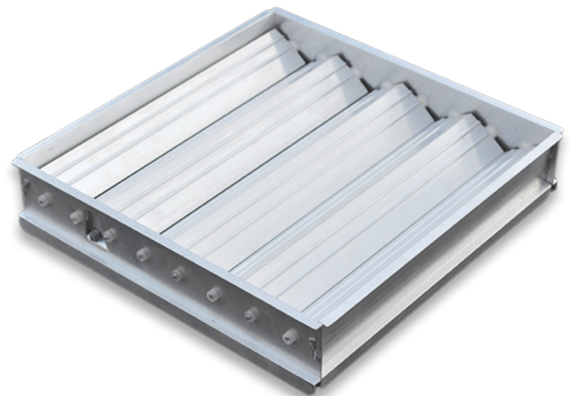
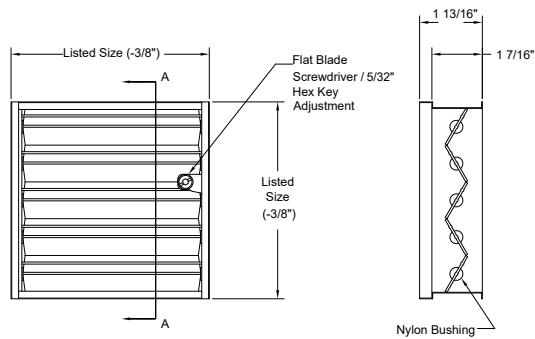
Size	A	B	C	D	E	F
12 x 12	14"	14"	12 1/16"	12 1/16"	11 1/8"	11 1/8"
12 x 24	26"	14"	24 1/16"	12 1/16"	23 1/8"	11 1/8"
24 x 24	26"	26"	24 1/16"	24 1/16"	23 1/8"	23 1/8"
24 x 48	26"	50"	24 1/16"	48 1/16"	23 1/8"	47 1/8"

Model AL-OBD

Aluminum Opposed Blade Damper

Model	Description
AL-OBD	Aluminum Opposed Blade Damper

Application • Mount to diffuser or grille
Recommended for • Commercial and Residential applications





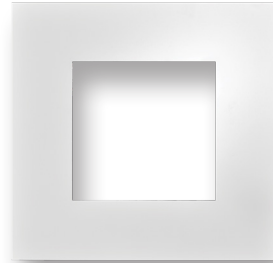
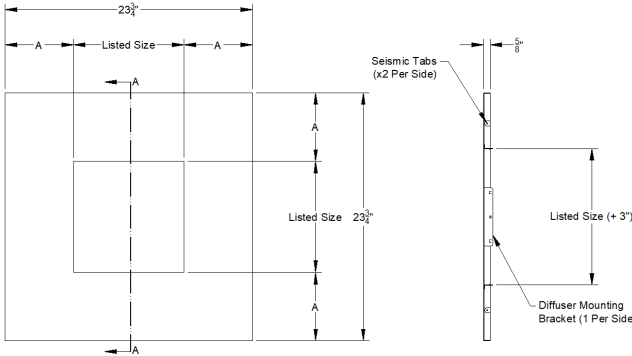
ACCESS PANELS & ACCESSORIES

Model 5000P

T-Bar Panel

Model	Description
5000P	T-Bar Panel

Application • Accept A500 series diffusers
Recommended for • Commercial applications

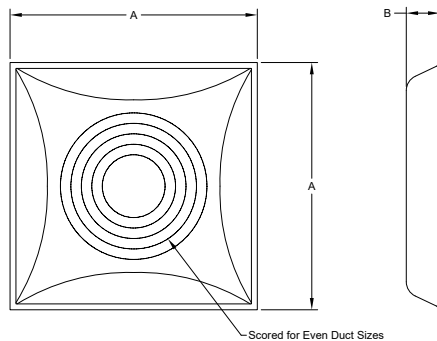


Listed Size	Dim
	"A"
6" x 6"	8 9/16"
8" x 8"	7 9/16"
10" x 10"	6 9/16"
12" x 12"	5 9/16"
14" x 14"	4 9/16"
16" x 16"	3 9/16"
18" x 18"	2 9/16"
20" x 20"	1 9/16"

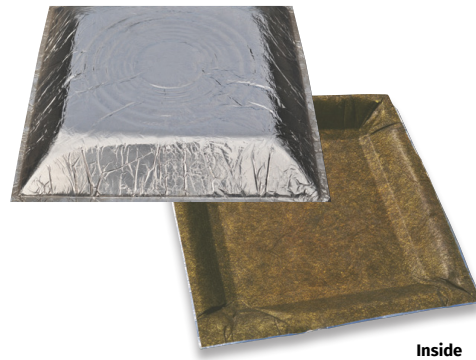
Insulated Back

Model	Description
1056FBMOLD	R6 Molded Fiberglass Insulated Back
1066FBMOLD	R6 Molded Fiberglass Insulated Back (4000 Series only)
4130DB	R6, 1-1/2" thick, fiberglass ductboard with aluminum foil vapor barrier on back (4000 Series only)

Application • Back insulate T-Bar Lay-In style grilles and diffusers
Recommended for • Commercial



Outside



Inside

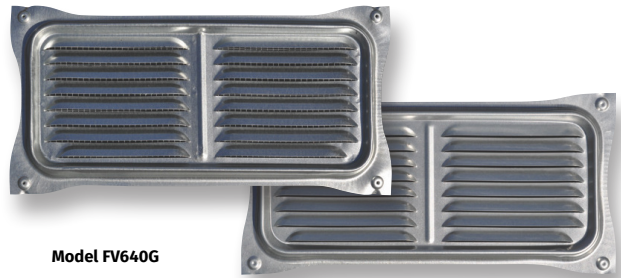
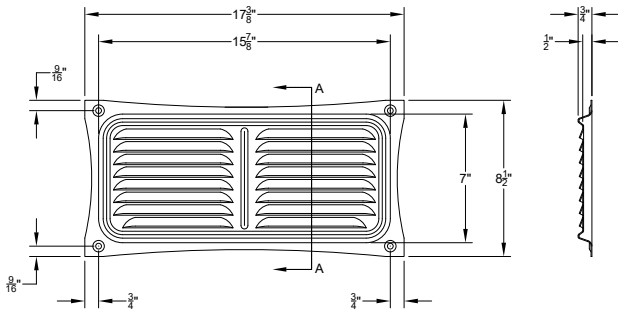
Model	Dimensions		Scored Duct Diameters
	A	B	
1056FB 12MOLD	11 3/4"	2 5/8"	4", 6" & 8"
1056FB MOLD	23 3/4"	3 3/16"	6", 8", 10", 12" & 14"

Model FV640G

Louvered Foundation Vent

Model	Description
FV640G	Louvered Foundation Vent

Application • Crawl spaces and low light areas
Recommended for • Residential applications



Model FV640G

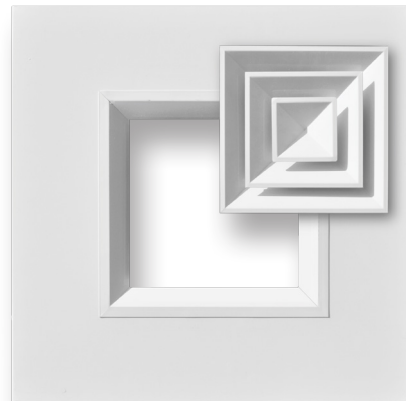
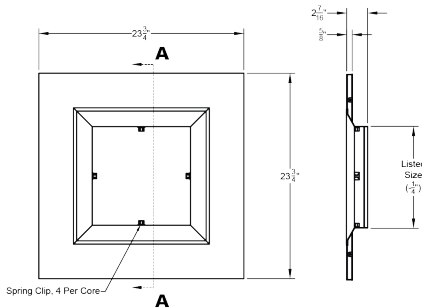
Model FV640GS – Louvered Foundation Vent
 • Shown with and without wire mesh backing. Please specify your preference when ordering.

5400SD Series

T-Bar Panel

Model	Description
5400SD	T-Bar Panel

Application • Accept A540 series diffuser's center cores
Recommended for • Commercial and residential applications





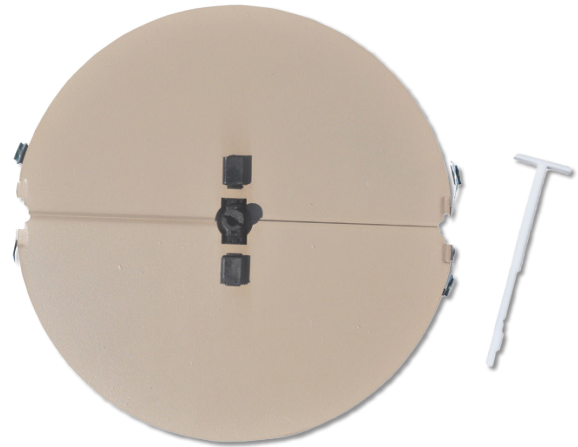
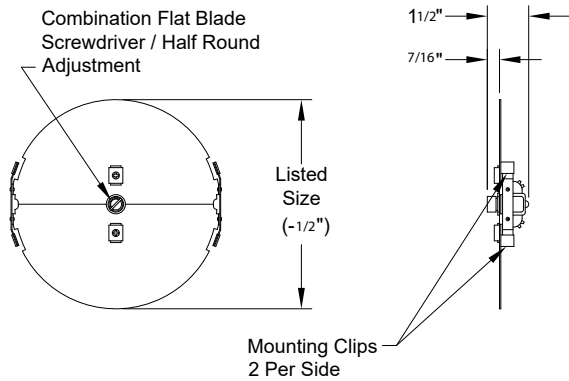
ACCESS PANELS & ACCESSORIES

Model 802

Butterfly Damper

Model	Description
802	Butterfly Damper

Application • Mounts to neck of diffusers or grilles
Recommended for • Commercial applications

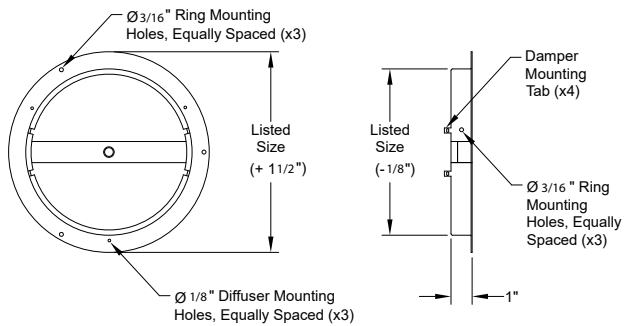


Model 803

Butterfly Damper

Model	Description
803	Installation Ring Only

Application • Mounts to neck of diffusers or grilles
Recommended for • Commercial applications



Model 803
Installation Ring Only





A CSW Industrials Company

AIR DISTRIBUTION

RectorSeal provides industry-leading digital and print support materials for its extensive chemical and mechanical solutions that include:

- Technical Product Information
- Marketing Support Materials
- Engaging Product Demonstration Videos
- Informative SDS and Product Data Sheets
- On-demand and Live Training and Webinars
- Learning Management System (LMS) support via RectorSeal Academy
- Informative Distributor and Sales Representative Tools
- Industry-related Tradeshow and Events Information


For complete details, visit www.rectorseal.com

For the latest product enhancements, news, and updated information, please follow RectorSeal's social media channels.

 facebook.com/rectorseal

 linkedin.com/company/rectorseal

 x.com/rectorseal

 instagram/rectorseal

 youtube.com/rectorsealcorp

All information is believed to be current at the time of printing, but our policy is one of continuous development. RectorSeal makes no warranties, express or implied, as to its accuracy. RectorSeal reserves the right to discontinue, update or change the information at any time without notice or without incurring obligations.

RectorSeal® • 2601 Spenwick Drive, Houston, TX 77055, USA • 713-263-8001 • rectorseal.com

RectorSeal®, the logos and other trademarks are property of RectorSeal, LLC, its affiliates or its licensors and are protected by copyright, trademark and other intellectual property laws, and may not be used without permission. RectorSeal reserves the right to change specifications without prior notice. ©2026 RectorSeal. All rights reserved. R50992 251211